

## SERIES 4600 | HORIZONTAL SPLIT CASE PUMP

### 8 × 6 × 12.5L | SUBMITTAL

File No: 46.536  
 Date: NOVEMBER 28, 2014  
 Supersedes: 46.536  
 Date: OCTOBER 15, 2013

Job: \_\_\_\_\_ Representative: \_\_\_\_\_

Ordered by: \_\_\_\_\_ Date: \_\_\_\_\_

Engineer: \_\_\_\_\_ Submitted by: \_\_\_\_\_ Date: \_\_\_\_\_

Approved by: \_\_\_\_\_ Date: \_\_\_\_\_

#### PUMP DESIGN DATA

No. of pumps: \_\_\_\_\_ Tag: \_\_\_\_\_  
 Capacity: \_\_\_\_\_ USgpm (L/s) Head: \_\_\_\_\_ ft (m)  
 Liquid: \_\_\_\_\_ Viscosity: \_\_\_\_\_  
 Temperature: \_\_\_\_\_ °F (°C) Specific gravity: \_\_\_\_\_  
 Suction: 8" (200 mm) Discharge: 6" (150 mm)

#### MATERIALS OF CONSTRUCTION

ANSI FLANGE RATING	ANSI 125	ANSI 250
Construction	<input type="checkbox"/> BF	<input type="checkbox"/> BF 250

**Casing:** Cast iron  
**Impeller:** Bronze  
**Casing wear ring:** Bronze  
**Gasket:** Confined non-asbestos fiber  
**Bearing frame:** Cast iron  
**Coupler guard:** Steel OSHA  
**Anti-friction bearings:** Permanently lubricated  
**Shaft:** Carbon steel  
**Shaft sleeve:** Bronze  
**Coupler:** Constant speed: Woods sure-flex or equal  
 Variable speed: Woods dura-flex or equal  
**Baseplate:** Fabricated steel

#### MECHANICAL SEAL DATA

ANSI FLANGE RATING	ANSI 125	ANSI 250
Seal type	A21	ARO
Stationary seat	Silicon carbide	Carbon
Rotating face	Carbon	Durchrome
Secondary seal	EPDM	Viton

**Spring:** Stainless steel  
**Rotating hardware:** Stainless steel  
**Gland plate:** Bronze

#### MOTOR DESIGN DATA

HP: \_\_\_\_\_ RPM: \_\_\_\_\_  
 Frame size: \_\_\_\_\_ Enclosure: \_\_\_\_\_  
 Volts: \_\_\_\_\_ Hertz: 60 Hz Phase: 3  
 Efficiency:  NEMA premium 12.12  Other \_\_\_\_\_ %

#### MAXIMUM PUMP OPERATING CONDITIONS

**ANSI 125**  
 175 psig at 150°F (12 bars at 65°C)  
 140 psig at 225°F (10 bars at 107°C)

**ANSI 250**  
 300 psig at 150°F (20 bars at 65°C)  
 250 psig at 250°F (17 bars at 121°C)

- Tolerance of ±0.125" (±3 mm) should be used
- For exact installation, data please write factory for certified dimensions
- See performance curves on page 3

#### OPTIONAL EQUIPMENT

#### SUCTION SIDE REQUIREMENT

**Important (please select)**

Viewed from motor end

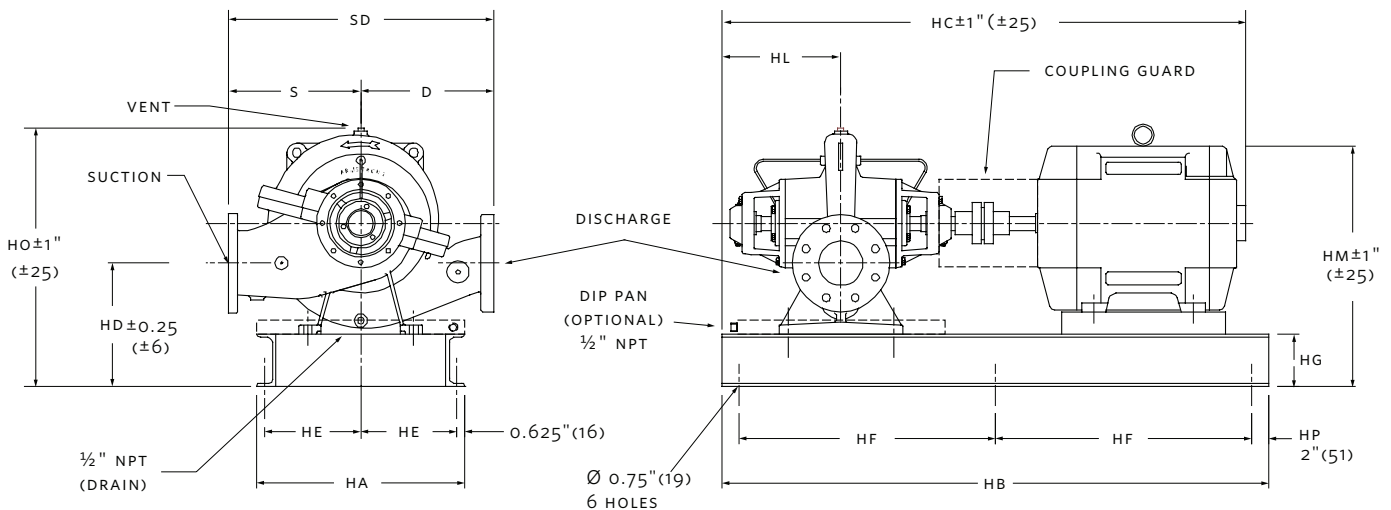
Right hand (illustrated)  Left hand

MOTOR	HORSEPOWER @ RPM				DIMENSIONS INCHES (mm)										WEIGHT*		
	3600		1800		HA	HB	HC		HD	HE	HF	HG	HM		HO	lbs (kgs)	
	ODP	TEFC	ODP	TEFC			ODP	TEFC					ODP	TEFC			
286TC	—	—	30	30	19.00 (483)	58.00 (1473)	56.38 (1432)	59.26 (1505)	10.75 (273)	8.88 (226)	27.00 (686)	4.00 (102)	22.72 (577)	23.25 (591)	25.42 (646)	1300 (589.7)	1395 (632.8)
324TC	—	—	40	40	19.00 (483)	58.00 (1473)	58.94 (1497)	62.06 (1576)	10.75 (273)	8.88 (226)	27.00 (686)	4.00 (102)	24.00 (610)	24.25 (616)	25.42 (646)	1465 (664.5)	1445 (655.4)
326TC	—	—	50	50	19.00 (483)	58.00 (1473)	58.94 (1497)	62.06 (1576)	10.75 (273)	8.88 (226)	27.00 (686)	4.00 (102)	24.00 (610)	24.25 (616)	25.42 (646)	1730 (784.7)	1465 (664.5)
444TSC	200	—	—	—	25.00 (635)	70.00 (1778)	71.12 (1806)	76.89 (1953)	10.75 (273)	11.88 (302)	33.00 (838)	4.00 (102)	27.00 (686)	27.00 (686)	25.42 (646)	2427 (1100.9)	—
445TSC	250 & 300	150	—	—	25.00 (635)	70.00 (1778)	71.12 (1806)	76.89 (1953)	10.75 (273)	11.88 (302)	33.00 (838)	4.00 (102)	27.00 (686)	27.00 (686)	25.42 (646)	—	2869 (1301.4)
447TSC	350 & 400	200	—	—	25.00 (635)	80.00 (2032)	79.75 (2026)	86.63 (2200)	10.75 (273)	11.88 (302)	38.00 (965)	4.00 (102)	27.00 (686)	27.00 (686)	25.42 (646)	—	3188 (1446.1)
449TSC	450	250 & 300	—	—	25.00 (635)	80.00 (2032)	79.75 (2026)	86.63 (2200)	10.75 (273)	11.88 (302)	38.00 (965)	4.00 (102)	27.00 (686)	27.00 (686)	25.42 (646)	—	—
449TSC	450	350 & 400	—	—	25.00 (635)	80.00 (2032)	79.75 (2026)	86.63 (2200)	10.75 (273)	11.88 (302)	38.00 (965)	4.00 (102)	27.00 (686)	27.00 (686)	25.42 (646)	—	—

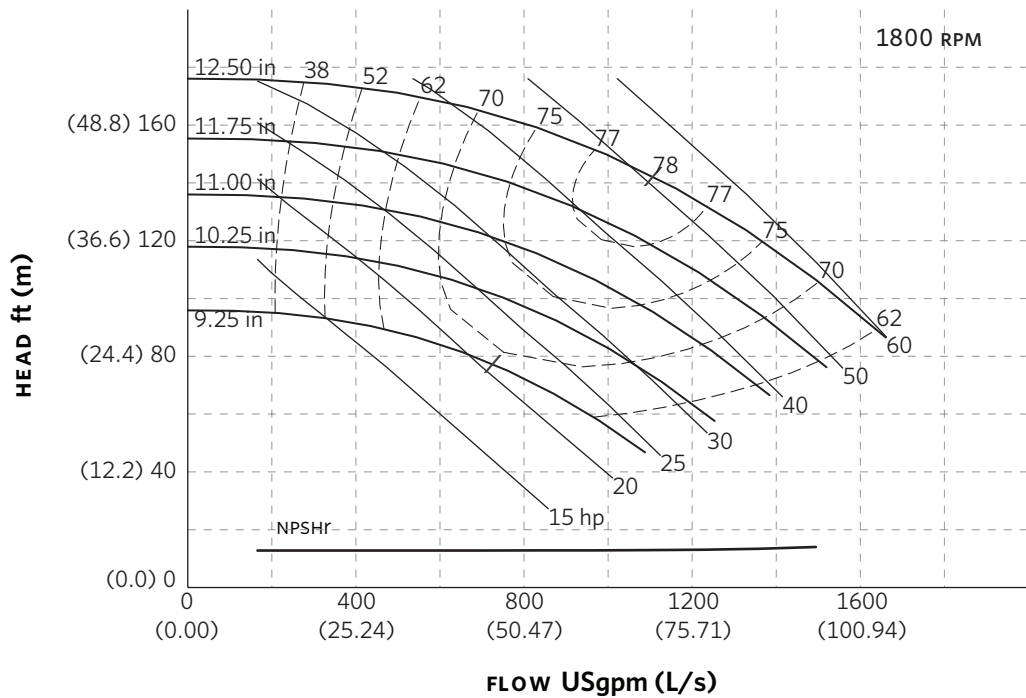
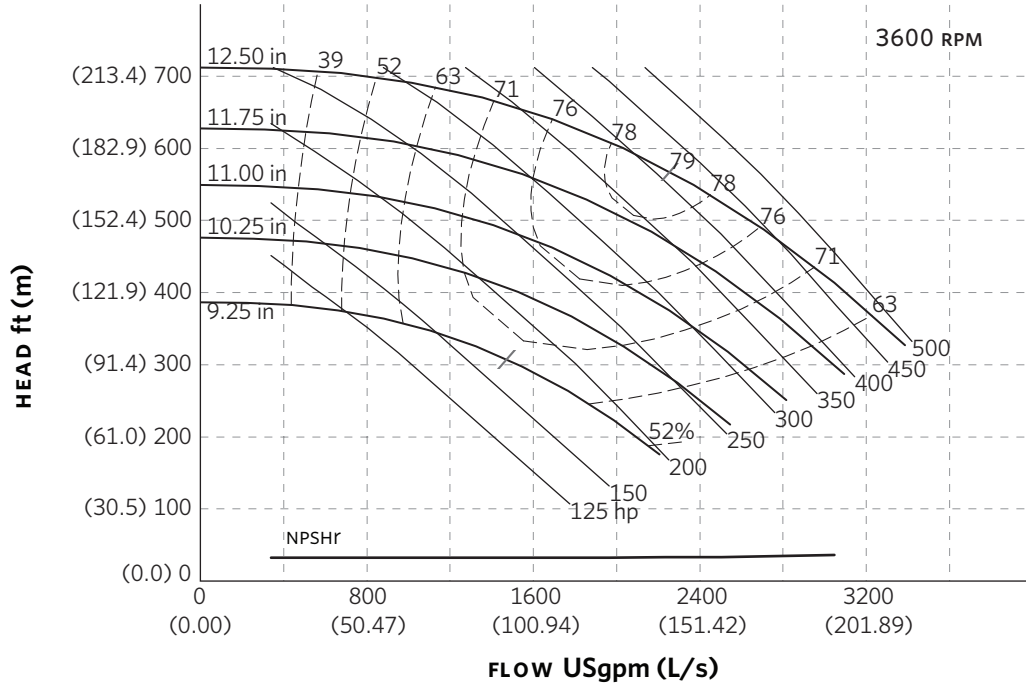
**PUMP DIMENSIONS**  
inches (mm)

HL	S	D
13.50 (343)	15.00 (381)	15.00 (381)

\*Assembly weight combines pump and motor.



## SERIES 4600 PERFORMANCE CURVES



Performance curves are for reference only.  
Confirm current performance data with Armstrong ACE Online selection software.

**TORONTO**

23 BERTRAND AVENUE  
TORONTO, ONTARIO  
CANADA  
M1L 2P3  
+1 416 755 2291

**BUFFALO**

93 EAST AVENUE  
NORTH TONAWANDA, NEW YORK  
U.S.A.  
14120-6594  
+1 716 693 8813

**BIRMINGHAM**

HEYWOOD WHARF, MUCKLOW HILL  
HALESOWEN, WEST MIDLANDS  
UNITED KINGDOM  
B62 8DJ  
+44 (0) 8444 145 145

**MANCHESTER**

WENLOCK WAY  
MANCHESTER  
UNITED KINGDOM  
M12 5JL  
+44 (0) 8444 145 145

**BANGALORE**

#59, FIRST FLOOR, 3RD MAIN  
MARGOSA ROAD, MALLESWARAM  
BANGALORE, INDIA  
560 003  
+91 (0) 80 4906 3555

**SHANGHAI**

NO. 1619 HU HANG ROAD, XI DU TOWNSHIP  
FENG XIAN DISTRICT, SHANGHAI  
P.R.C.  
201401  
+86 21 3756 6696

ARMSTRONG FLUID TECHNOLOGY  
ESTABLISHED 1934

ARMSTRONGFLUIDTECHNOLOGY.COM

**MAKING  
ENERGY  
MAKE  
SENSE™**