

SERIES 4600 | HORIZONTAL SPLIT CASE PUMP 6 × 5 × 12M | SUBMITTAL

File No: 46.530
Date: NOVEMBER 28, 2014
Supersedes: 46.530
Date: OCTOBER 15, 2013

Job: _____ Representative: _____

Ordered by: _____ Date: _____

Engineer: _____ Submitted by: _____ Date: _____

Approved by: _____ Date: _____

PUMP DESIGN DATA

No. of pumps: _____ Tag: _____

Capacity: _____ USgpm (L/s) Head: _____ ft (m)

Liquid: _____ Viscosity: _____

Temperature: _____ °F (°C) Specific gravity: _____

Suction: 6" (150 mm) Discharge: 5" (125 mm)

MATERIALS OF CONSTRUCTION

ANSI FLANGE RATING	ANSI 125	ANSI 250
Construction	<input type="checkbox"/> BF	<input type="checkbox"/> BF 250

Casing: Cast iron

Impeller: Bronze

Casing wear ring: Bronze

Gasket: Confined non-asbestos fiber

Bearing frame: Cast iron

Coupler guard: Steel OSHA

Anti-friction bearings: Permanently lubricated

Shaft: Carbon steel

Shaft sleeve: Bronze

Coupler: Constant speed: Woods sure-flex or equal
Variable speed: Woods dura-flex or equal

Baseplate: Fabricated steel

MECHANICAL SEAL DATA

ANSI FLANGE RATING	ANSI 125	ANSI 250
Seal type	A21	ARO
Stationary seat	Silicon carbide	Carbon
Rotating face	Carbon	Durchrome
Secondary seal	EPDM	Viton

Spring: Stainless steel

Rotating hardware: Stainless steel

Gland plate: Bronze

MOTOR DESIGN DATA

HP: _____ RPM: _____

Frame size: _____ Enclosure: _____

Volts: _____ Hertz: 60 Hz Phase: 3

Efficiency: NEMA premium 12.12 Other _____ %

MAXIMUM PUMP OPERATING CONDITIONS

ANSI 125

175 psig at 150°F (12 bars at 65°C)

140 psig at 225°F (10 bars at 107°C)

ANSI 250

300 psig at 150°F (20 bars at 65°C)

250 psig at 250°F (17 bars at 121°C)

- Tolerance of ±0.125" (±3 mm) should be used
- For exact installation, data please write factory for certified dimensions
- See performance curves on page 3

OPTIONAL EQUIPMENT

SUCTION SIDE REQUIREMENT

Important (please select)

Viewed from motor end

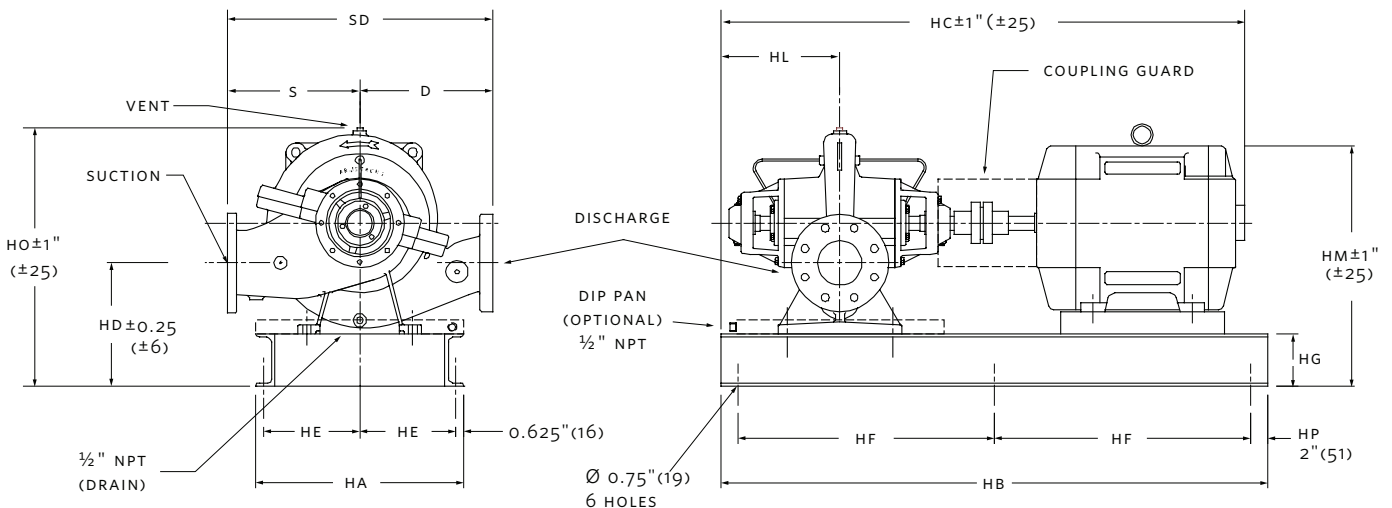
Right hand (illustrated) Left hand

MOTOR FRAME	HORSEPOWER @ RPM				DIMENSIONS INCHES (mm)										WEIGHT*		
	3600		1800	1200	HA	HB	HC		HD	HE	HF	HG	HM		HO	lbs (kgs)	
	ODP	TEFC					ODP	TEFC					ODP	TEFC		ODP	TEFC
254TC	—	—	—	7.5	16.00 (406)	54.00 (1372)	53.69 (1364)	55.31 (1405)	9.50 (241)	7.38 (187)	25.00 (635)	3.00 (76)	19.88 (505)	20.00 (508)	22.34 (567)	995 (451.3)	1022 (463.6)
256TC	—	—	20	10	16.00 (406)	54.00 (1372)	53.69 (1364)	55.31 (1405)	9.50 (241)	7.38 (187)	25.00 (635)	3.00 (76)	19.88 (505)	20.00 (508)	22.34 (567)	1040 (471.7)	1064 (482.6)
284TC	—	—	25	15	19.00 (483)	58.00 (1473)	55.38 (1407)	58.26 (1480)	10.50 (267)	8.88 (226)	27.00 (686)	4.00 (102)	21.22 (539)	21.75 (552)	23.34 (593)	1118 (507.1)	1221 (553.8)
286TC	—	—	30	—	19.00 (483)	58.00 (1473)	55.38 (1407)	58.26 (1480)	10.50 (267)	8.88 (226)	27.00 (686)	4.00 (102)	21.22 (539)	21.75 (552)	23.34 (593)	1170 (530.7)	1265 (573.8)
324TC	—	—	40	—	19.00 (483)	58.00 (1473)	57.94 (1472)	61.06 (1551)	10.50 (267)	8.88 (226)	27.00 (686)	4.00 (102)	22.50 (572)	22.75 (578)	23.34 (593)	1315 (596.5)	1380 (626.0)
326TC	—	—	50	—	19.00 (483)	58.00 (1473)	57.94 (1472)	61.06 (1551)	10.50 (267)	8.88 (226)	27.00 (686)	4.00 (102)	22.50 (572)	22.75 (578)	23.34 (593)	1335 (605.5)	1618 (733.9)
405TSC	150	—	—	—	19.00 (483)	64.00 (1626)	61.56 (1564)	65.13 (1654)	10.50 (267)	8.88 (226)	30.00 (762)	4.00 (102)	24.50 (622)	24.50 (622)	23.34 (593)	1860 (843.7)	—
444TSC	200	—	—	—	25.00 (635)	70.00 (1778)	70.12 (1781)	75.89 (1928)	12.10 (307)	11.88 (302)	33.00 (838)	4.00 (102)	27.10 (688)	27.10 (688)	24.93 (633)	2247 (1019.2)	—
445TSC	250	—	—	—	25.00 (635)	70.00 (1778)	70.12 (1781)	75.89 (1928)	12.10 (307)	11.88 (302)	33.00 (838)	4.00 (102)	27.10 (688)	27.10 (688)	24.93 (633)	—	—
445TSC	300	150	—	—	25.00 (635)	70.00 (1778)	70.12 (1781)	75.89 (1928)	12.10 (307)	11.88 (302)	33.00 (838)	4.00 (102)	27.10 (688)	27.10 (688)	24.93 (633)	—	2709 (1228.8)
447TSC	350	200	—	—	25.00 (635)	80.00 (2032)	78.75 (2000)	85.63 (2175)	12.10 (307)	11.88 (302)	33.00 (838)	4.00 (102)	27.10 (688)	27.10 (688)	24.93 (633)	—	3018 (1368.9)

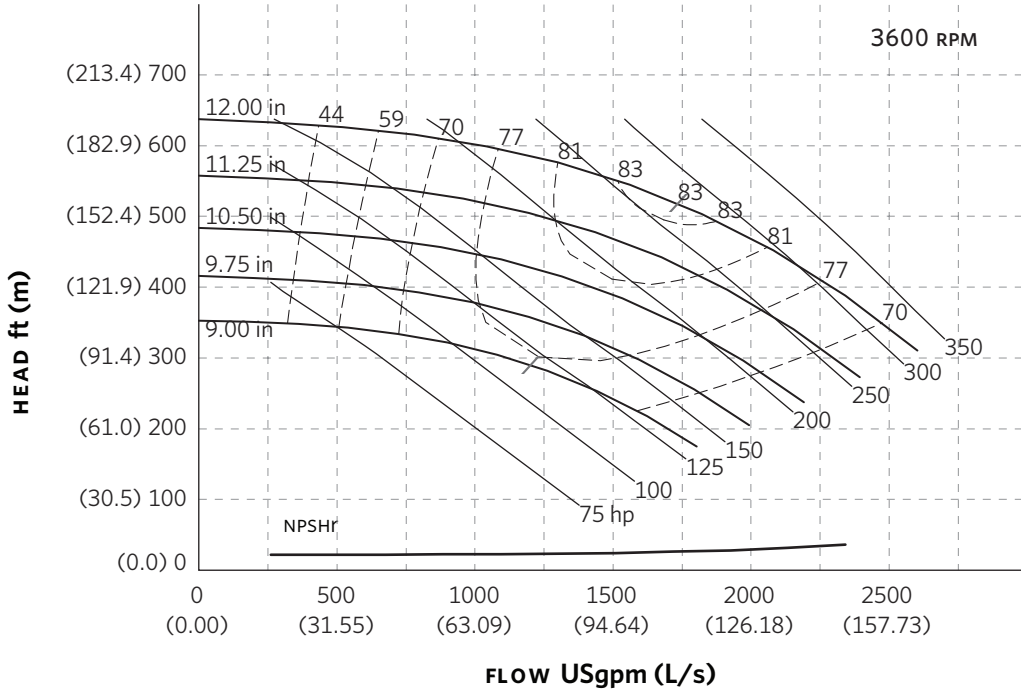
PUMP DIMENSIONS
inches (mm)

HL	S	D
13.50 (343)	15.00 (381)	15.00 (381)

All dimensions are in inches (mm) and weights in lbs (kg)
*Assembly weight combines pump and motor.



SERIES 4600 PERFORMANCE CURVES



Curve number
PT147-2-0-3600

Series
4600

Size
6 × 5 × 12M

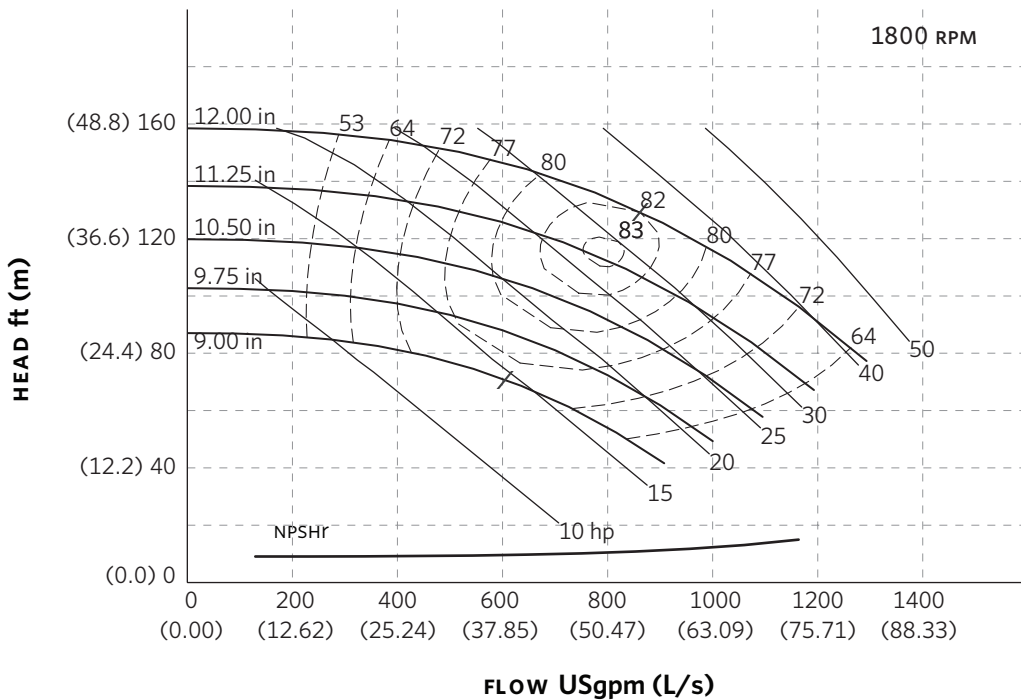
RPM
3600

BHP based on shown
Fluid's sp. gr.

Availability
4600 all ratings

Performance
guaranteed only
at operating point
indicated

Curve shown for
clear, cold water
- SP. GR. 1.000



Curve number
PT148-2-0-1800

Series
4600

Size
6 × 5 × 12M

RPM
1800

BHP based on shown
Fluid's sp. gr.

Availability
4600 all ratings

Performance
guaranteed only
at operating point
indicated

Curve shown for
clear, cold water
- SP. GR. 1.000

Performance curves are for reference only.

Confirm current performance data with Armstrong ACE Online selection software.

TORONTO

23 BERTRAND AVENUE
TORONTO, ONTARIO
CANADA
M1L 2P3
+1 416 755 2291

BUFFALO

93 EAST AVENUE
NORTH TONAWANDA, NEW YORK
U.S.A.
14120-6594
+1 716 693 8813

BIRMINGHAM

HEYWOOD WHARF, MUCKLOW HILL
HALESOWEN, WEST MIDLANDS
UNITED KINGDOM
B62 8DJ
+44 (0) 8444 145 145

MANCHESTER

WENLOCK WAY
MANCHESTER
UNITED KINGDOM
M12 5JL
+44 (0) 8444 145 145

BANGALORE

#59, FIRST FLOOR, 3RD MAIN
MARGOSA ROAD, MALLESWARAM
BANGALORE, INDIA
560 003
+91 (0) 80 4906 3555

SHANGHAI

NO. 1619 HU HANG ROAD, XI DU TOWNSHIP
FENG XIAN DISTRICT, SHANGHAI
P.R.C.
201401
+86 21 3756 6696

ARMSTRONG FLUID TECHNOLOGY
ESTABLISHED 1934

ARMSTRONGFLUIDTECHNOLOGY.COM

**MAKING
ENERGY
MAKE
SENSE™**