

SERIES 4392

CLOSE-COUPLED VERTICAL IN-LINE TWIN PUMP

3 × 3 × 8 | **SUBMITTAL**

File No: 43TW.005
Date: DECEMBER 4, 2014
Supersedes: 43TW.005
Date: JULY 16, 2012

Job: _____ Representative: _____

Ordered by: _____ Date: _____

Engineer: _____ Submitted by: _____ Date: _____

Contractor: _____ Approved by: _____ Date: _____

PUMP DESIGN DATA

No. of pumps: _____ Tag: _____
 Capacity: _____ USgpm (L/s) Head: _____ ft (m)
 Liquid: _____ Viscosity: _____
 Temperature: _____ °F (°C) Specific gravity: _____
 Suction: 3" (75mm) Discharge: 3" (75mm)

MOTOR DESIGN DATA

HP: _____ RPM: _____ Frame size: _____ Enclosure: _____
 Volts: _____ Hertz: 60 Hz Phase: 3
 Efficiency: Energy EFF 12.11 NEMA premium 12.12

MATERIALS OF CONSTRUCTION

ANSI FLANGE RATING	ANSI 125
Construction	<input type="checkbox"/> BF
Casing	Cast iron
Adapter	Cast iron

Impeller: Bronze
Gasket: Confined non-asbestos fiber
Shaft: Carbon steel
Shaft sleeve: Bronze
Flush line: Braided stainless steel

MAXIMUM PUMP OPERATING CONDITIONS

ANSI 125
 175 psig at 150°F (12 bars at 65°C)
 140 psig at 250°F (10 bars at 121°C)

- See performance curves on page 3
- For exact installation, data please write factory for certified dimensions

MECHANICAL SEAL DATA

Seal type: 2A
Stationary seat: Silicone carbide
Secondary seal: EPDM
Rotating hardware: Stainless steel
Spring: Stainless steel

OPTIONAL EQUIPMENT

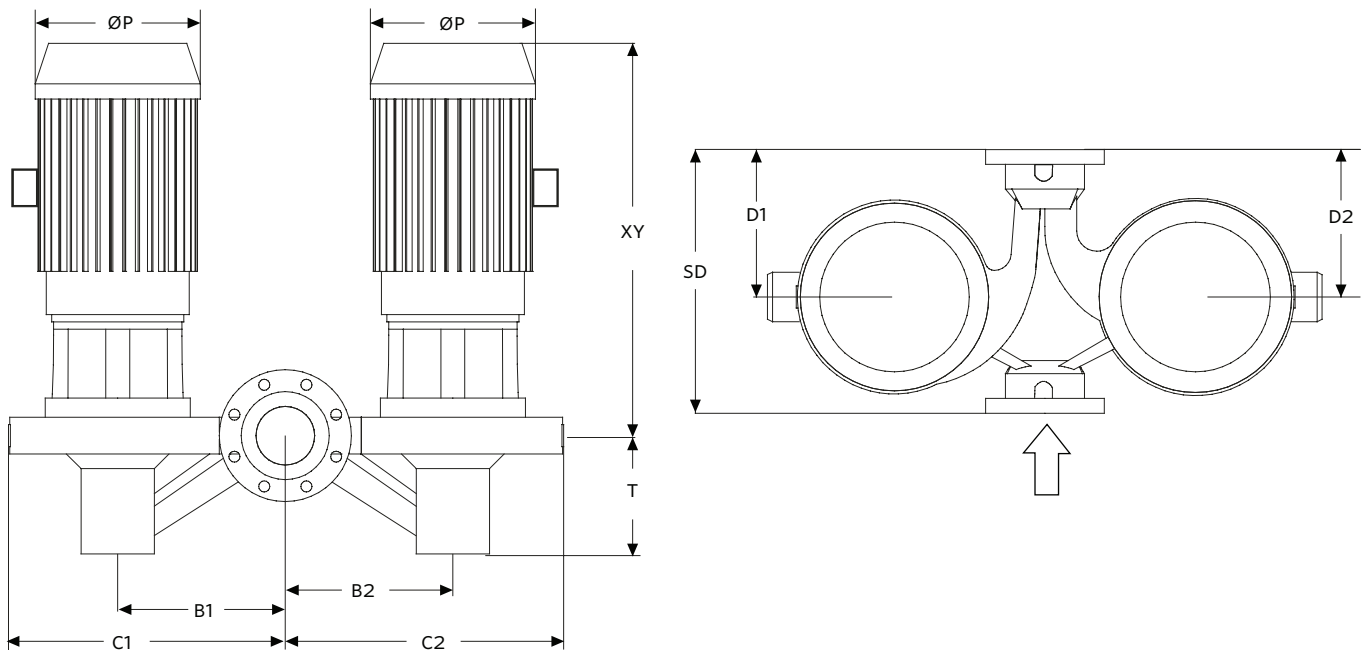
FLUID TYPE	ALL GLYCOLS > 30% WT CONC		ALL OTHER NON-POTABLE FLUIDS		POTABLE (DRINKING) WATER	
	up to 200°F (93°C)	over 200°F (93°C)	up to 200°F (93°C)	over 200°F (93°C)	up to 200°F (93°C)	over 200°F (93°C)
Temperature	up to 200°F (93°C)	over 200°F (93°C)	up to 200°F (93°C)	over 200°F (93°C)	up to 200°F (93°C)	over 200°F (93°C)
Rotating face	Silicone carbide		Resin bonded carbon	Antimony loaded carbon	Resin bonded carbon	
Seat elastomer	EPDM (L-cup)	EPDM (O-ring)	EPDM (L-cup)	EPDM (O-ring)	EPDM (L-cup)	EPDM (O-ring)
Material code	SCSC L EPSS 2A	SCSC O EPSS 2A	C-SC L EPSS 2A	ACSC O EPSS 2A	C-SC L EPSS 2A	C-SC O EPSS 2A

MOTOR FRAME	HORSEPOWER @ RPM		MAX. DIMENSIONS INCHES (mm)		WEIGHT		
	3600		1800	P	XY	lbs (kg)	
	ODP	TEFC				ODP	TEFC
182	—	—	3	10.38 (264)	20.01 (508)	410 (186.0)	488 (221.4)
184	—	—	5	10.38 (264)	20.01 (508)	436 (197.8)	512 (232.2)
213	—	—	7.5	12.13 (308)	26.61 (676)	489 (221.8)	623 (282.6)
254	20	—	—	14.19 (360)	27.98 (711)	748 (339.3)	—
256	25	20	—	14.19 (360)	27.98 (711)	840 (381.0)	958 (434.5)
284	30	25	—	13.38 (340)	30.73 (781)	1080 (489.9)	1102 (499.9)
286	40	30	—	13.38 (340)	30.73 (781)	1248 (566.1)	1164 (528.0)
324	50	40	—	13.38 (340)	32.73 (831)	1376 (624.1)	1452 (658.6)
326	—	50	—	13.38 (340)	32.73 (831)	—	1518 (688.6)

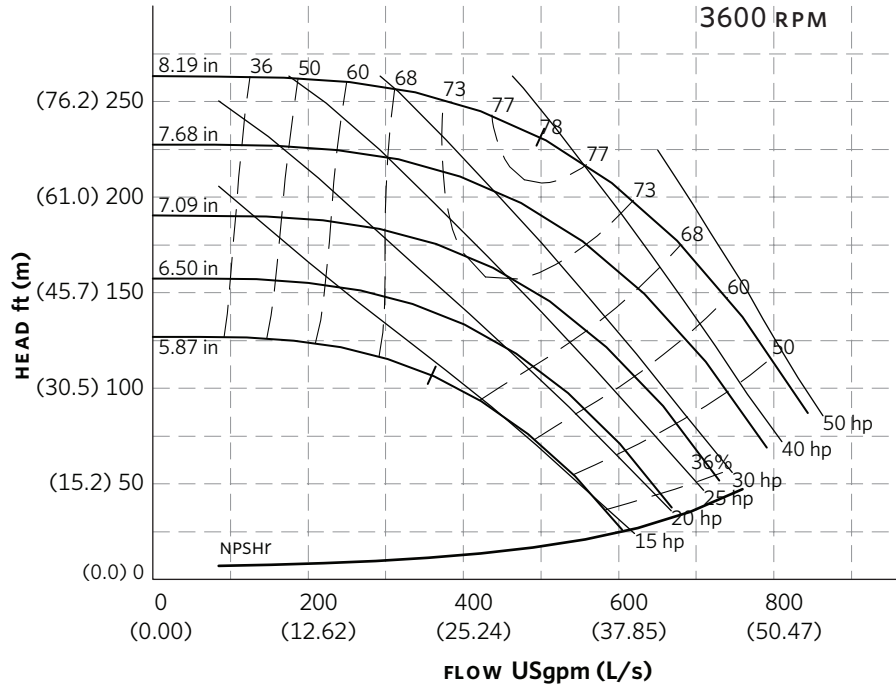
PUMP DIMENSIONS

INCHES (mm)

B1	B2	C1	C2	D1	D2	SD	T
9.84	9.84	16.22	16.24	7.87	9.05	15.75	6.22
(250)	(250)	(412)	(412)	(200)	(230)	(400)	(158)



SERIES 4392 PERFORMANCE CURVES



Curve number
PT538-0-0-3600

Series
4392

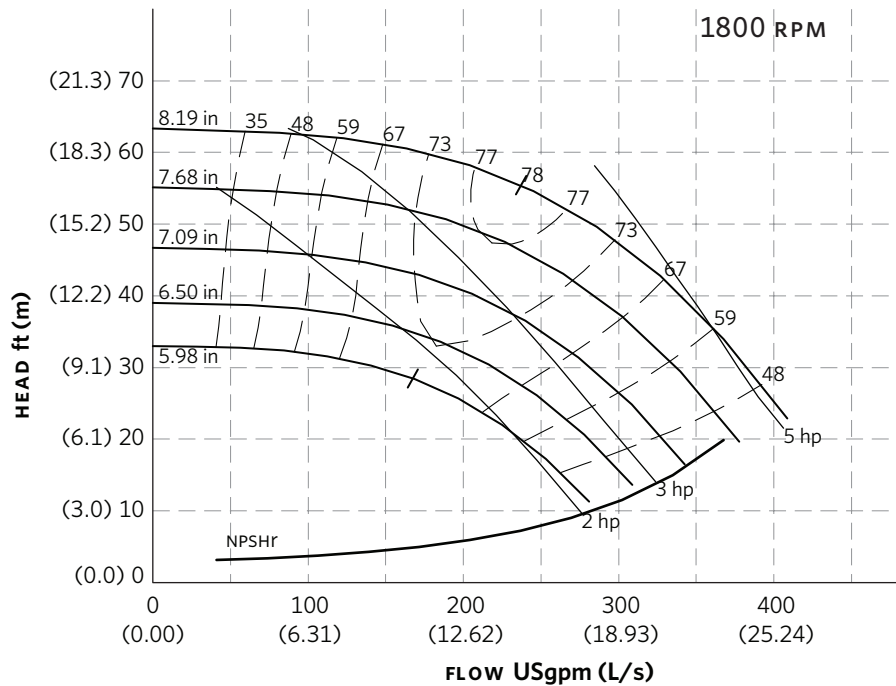
Size
3 × 3 × 8

RPM
3600

BHP based on shown
Fluid's sp. gr.

Availability
4392 all ratings

Performance
guaranteed only
at operating point
indicated
Curve shown for
clear, cold water
- SP. GR. 1.0000



Curve number
PT537-0-0-1800

Series
4392

Size
3 × 3 × 8

RPM
1800

BHP based on shown
Fluid's sp. gr.

Availability
4392 all ratings

Performance
guaranteed only
at operating point
indicated
Curve shown for
clear, cold water
- SP. GR. 1.0000

Performance curves are for reference only.
Confirm current performance data with Armstrong ACE ONLINE selection software.

TORONTO

23 BERTRAND AVENUE
TORONTO, ONTARIO
CANADA
M1L 2P3
+416 755 2291

BUFFALO

93 EAST AVENUE
NORTH TONAWANDA, NEW YORK
U.S.A.
14120-6594
+716 693 8813

BIRMINGHAM

HEYWOOD WHARF, MUCKLOW HILL
HALESOWEN, WEST MIDLANDS
UNITED KINGDOM
B62 8DJ
+44 (0) 8444 145 145

MANCHESTER

WOLVERTON STREET
MANCHESTER
UNITED KINGDOM
M11 2ET
+44 (0) 8444 145 145

BANGALORE

#59, FIRST FLOOR, 3RD MAIN
MARGOSA ROAD, MALLESWARAM
BANGALORE, INDIA
560 003
+91 (0) 80 4906 3555

SHANGHAI

NO. 1619 HU HANG ROAD, XI DU TOWNSHIP
FENG XIAN DISTRICT, SHANGHAI
P.R.C.
201401
+86 21 3756 6696

**MAKING
ENERGY
MAKE
SENSE™**