

SERIES 4392

CLOSE-COUPLED VERTICAL IN-LINE TWIN PUMP

3 × 3 × 6 | **SUBMITTAL**

File No: 43TW.002
Date: DECEMBER 4, 2014
Supersedes: 43TW.002
Date: JULY 16, 2012

Job: _____ Representative: _____
 _____ Ordered by: _____ Date: _____
 Engineer: _____ Submitted by: _____ Date: _____
 Contractor: _____ Approved by: _____ Date: _____

PUMP DESIGN DATA

No. of pumps: _____ Tag: _____
 Capacity: _____ USgpm (L/s) Head: _____ ft (m)
 Liquid: _____ Viscosity: _____
 Temperature: _____ °F (°C) Specific gravity: _____
 Suction: 3" (75mm) Discharge: 3" (75mm)

MOTOR DESIGN DATA

HP: _____ RPM: _____ Frame size: _____ Enclosure: _____
 Volts: _____ Hertz: 60 Hz Phase: 3
 Efficiency: Energy EFF 12.11 NEMA premium 12.12

MATERIALS OF CONSTRUCTION

ANSI FLANGE RATING	ANSI 125
Construction	<input type="checkbox"/> BF
Casing	Cast iron
Adapter	Cast iron

Impeller: Bronze
Gasket: Confined non-asbestos fiber
Shaft: Carbon steel
Shaft sleeve: Bronze
Flush line: Braided stainless steel

MAXIMUM PUMP OPERATING CONDITIONS

ANSI 125
 175 psig at 150°F (12 bars at 65°C)
 140 psig at 250°F (10 bars at 121°C)

- See performance curves on page 3
- For exact installation, data please write factory for certified dimensions

MECHANICAL SEAL DATA

Seal type: 2A
Stationary seat: Silicone carbide
Secondary seal: EPDM
Rotating hardware: Stainless steel
Spring: Stainless steel

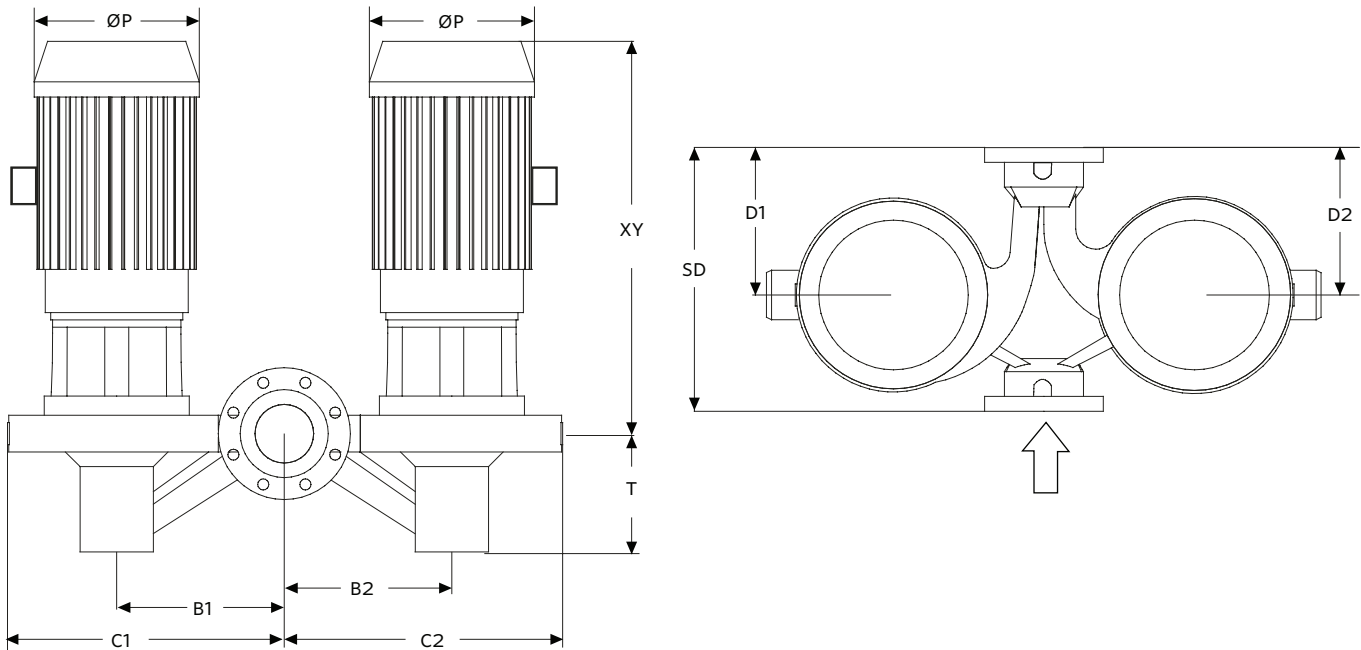
OPTIONAL EQUIPMENT

FLUID TYPE	ALL GLYCOLS > 30% WT CONC		ALL OTHER NON-POTABLE FLUIDS		POTABLE (DRINKING) WATER	
	up to 200°F (93°C)	over 200°F (93°C)	up to 200°F (93°C)	over 200°F (93°C)	up to 200°F (93°C)	over 200°F (93°C)
Temperature	up to 200°F (93°C)	over 200°F (93°C)	up to 200°F (93°C)	over 200°F (93°C)	up to 200°F (93°C)	over 200°F (93°C)
Rotating face	Silicone carbide		Resin bonded carbon	Antimony loaded carbon	Resin bonded carbon	
Seat elastomer	EPDM (L-cup)	EPDM (O-ring)	EPDM (L-cup)	EPDM (O-ring)	EPDM (L-cup)	EPDM (O-ring)
Material code	SCSC L EPSS 2A	SCSC O EPSS 2A	C-SC L EPSS 2A	ACSC O EPSS 2A	C-SC L EPSS 2A	C-SC O EPSS 2A

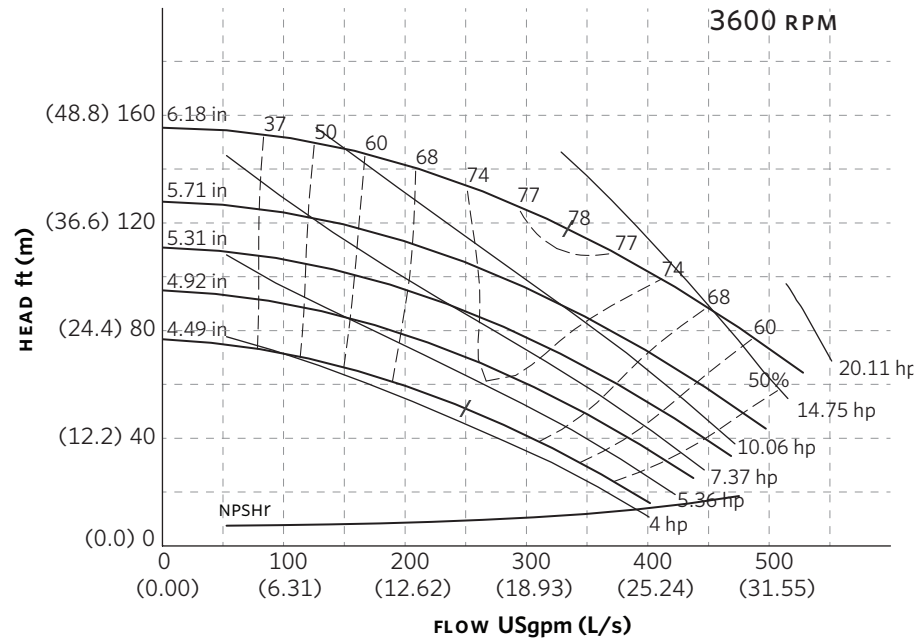
MOTOR	HORSEPOWER @ RPM		MAX. DIMENSIONS INCHES (mm)			WEIGHT	
	3600		1800	P	XY	lbs (kg)	
	ODP	TEFC				ODP	TEFC
143	—	—	1	8.63 (219)	17.25 (438)	316 (143.3)	320 (145.1)
145	—	—	1.5	8.63 (219)	17.25 (438)	328 (148.8)	336 (152.4)
145	—	—	2	8.63 (219)	17.25 (438)	334 (151.5)	342 (155.1)
182	5	—	3	10.38 (264)	20.00 (508)	344 (156.0)	—
184	7.5	5	—	10.38 (264)	20.00 (508)	366 (166.0)	442 (200.5)
213	10	7.5	—	12.13 (308)	23.50 (597)	445 (201.8)	513 (232.7)
215	15	10	—	12.13 (308)	23.50 (597)	523 (237.2)	549 (249.0)
254	—	15	—	14.19 (360)	27.97 (710)	—	841 (381.5)

PUMP DIMENSIONS
INCHES (mm)

B1	B2	C1	C2	D1	D2	SD	T
8.86	8.86	14.30	14.30	7.09	8.66	14.96	5.91
(225)	(225)	(363)	(363)	(180)	(220)	(380)	(150)



SERIES 4392 PERFORMANCE CURVES



Curve number
PT536-1-0-3550

Series
4392

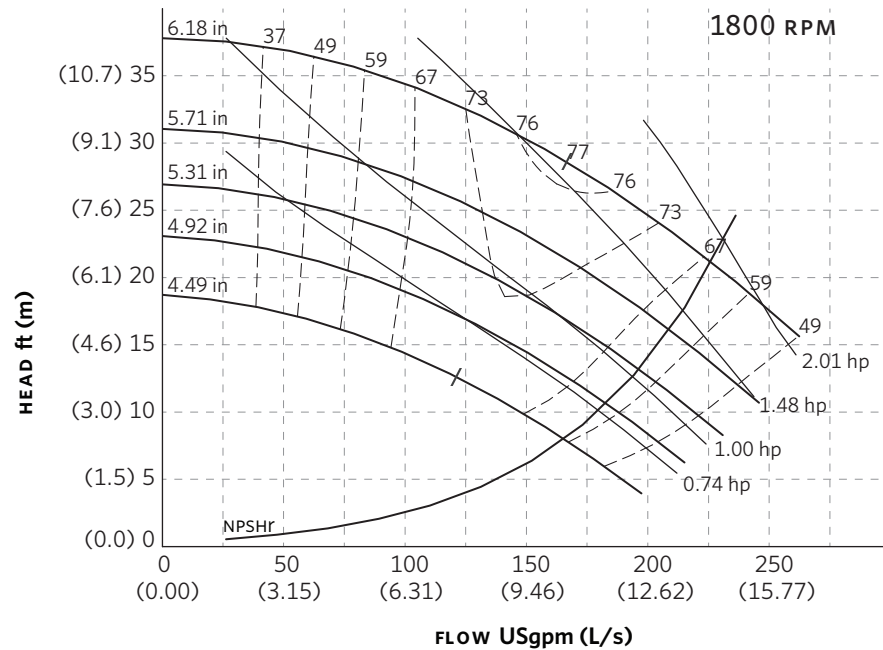
Size
3 × 3 × 6

RPM
3600

BHP based on shown
Fluid's sp. gr.

Availability
4392 all ratings

Performance
guaranteed only
at operating point
indicated
Curve shown for
clear, cold water
- SP. GR. 1.0000



Curve number
PT535-0-0-1750

Series
4392

Size
3 × 3 × 6

RPM
1800

BHP based on shown
Fluid's sp. gr.

Availability
4392 all ratings

Performance
guaranteed only
at operating point
indicated
Curve shown for
clear, cold water
- SP. GR. 1.0000

Performance curves are for reference only.
Confirm current performance data with Armstrong ACE ONLINE selection software.

TORONTO

23 BERTRAND AVENUE
TORONTO, ONTARIO
CANADA
M1L 2P3
+416 755 2291

BUFFALO

93 EAST AVENUE
NORTH TONAWANDA, NEW YORK
U.S.A.
14120-6594
+716 693 8813

BIRMINGHAM

HEYWOOD WHARF, MUCKLOW HILL
HALESOWEN, WEST MIDLANDS
UNITED KINGDOM
B62 8DJ
+44 (0) 8444 145 145

MANCHESTER

WOLVERTON STREET
MANCHESTER
UNITED KINGDOM
M11 2ET
+44 (0) 8444 145 145

BANGALORE

#59, FIRST FLOOR, 3RD MAIN
MARGOSA ROAD, MALLESWARAM
BANGALORE, INDIA
560 003
+91 (0) 80 4906 3555

SHANGHAI

NO. 1619 HU HANG ROAD, XI DU TOWNSHIP
FENG XIAN DISTRICT, SHANGHAI
P.R.C.
201401
+86 21 3756 6696

**MAKING
ENERGY
MAKE
SENSE™**