

## SERIES 4392

### CLOSE-COUPLED VERTICAL IN-LINE TWIN PUMP

2 × 2 × 6 | **SUBMITTAL**

**File No:** 43TW.001  
**Date:** DECEMBER 4, 2014  
**Supersedes:** 43TW.001  
**Date:** JULY 16, 2012

Job: \_\_\_\_\_ Representative: \_\_\_\_\_  
 \_\_\_\_\_ Ordered by: \_\_\_\_\_ Date: \_\_\_\_\_  
 Engineer: \_\_\_\_\_ Submitted by: \_\_\_\_\_ Date: \_\_\_\_\_  
 Contractor: \_\_\_\_\_ Approved by: \_\_\_\_\_ Date: \_\_\_\_\_

#### PUMP DESIGN DATA

No. of pumps: \_\_\_\_\_ Tag: \_\_\_\_\_  
 Capacity: \_\_\_\_\_ USgpm (L/s) Head: \_\_\_\_\_ ft (m)  
 Liquid: \_\_\_\_\_ Viscosity: \_\_\_\_\_  
 Temperature: \_\_\_\_\_ °F (°C) Specific gravity: \_\_\_\_\_  
 Suction: 2" (50 mm) Discharge: 2" (50 mm)

#### MOTOR DESIGN DATA

HP: \_\_\_\_\_ RPM: \_\_\_\_\_ Frame size: \_\_\_\_\_ Enclosure: \_\_\_\_\_  
 Volts: \_\_\_\_\_ Hertz: 60 Hz Phase: 3  
 Efficiency:  Energy EFF 12.11  NEMA premium 12.12

#### MATERIALS OF CONSTRUCTION

ANSI FLANGE RATING	ANSI 125
<b>Construction</b>	<input type="checkbox"/> BF
<b>Casing</b>	Cast iron
<b>Adapter</b>	Cast iron

**Impeller:** Bronze  
**Gasket:** Confined non-asbestos fiber  
**Shaft:** Carbon steel  
**Shaft sleeve:** Bronze  
**Flush line:** Braided stainless steel

#### MAXIMUM PUMP OPERATING CONDITIONS

**ANSI 125**  
 175 psig at 150°F (12 bars at 65°C)  
 140 psig at 250°F (10 bars at 121°C)

- See performance curves on page 3
- For exact installation, data please write factory for certified dimensions

#### MECHANICAL SEAL DATA

**Seal type:** 2A  
**Stationary seat:** Silicone carbide  
**Secondary seal:** EPDM  
**Rotating hardware:** Stainless steel  
**Spring:** Stainless steel

#### OPTIONAL EQUIPMENT

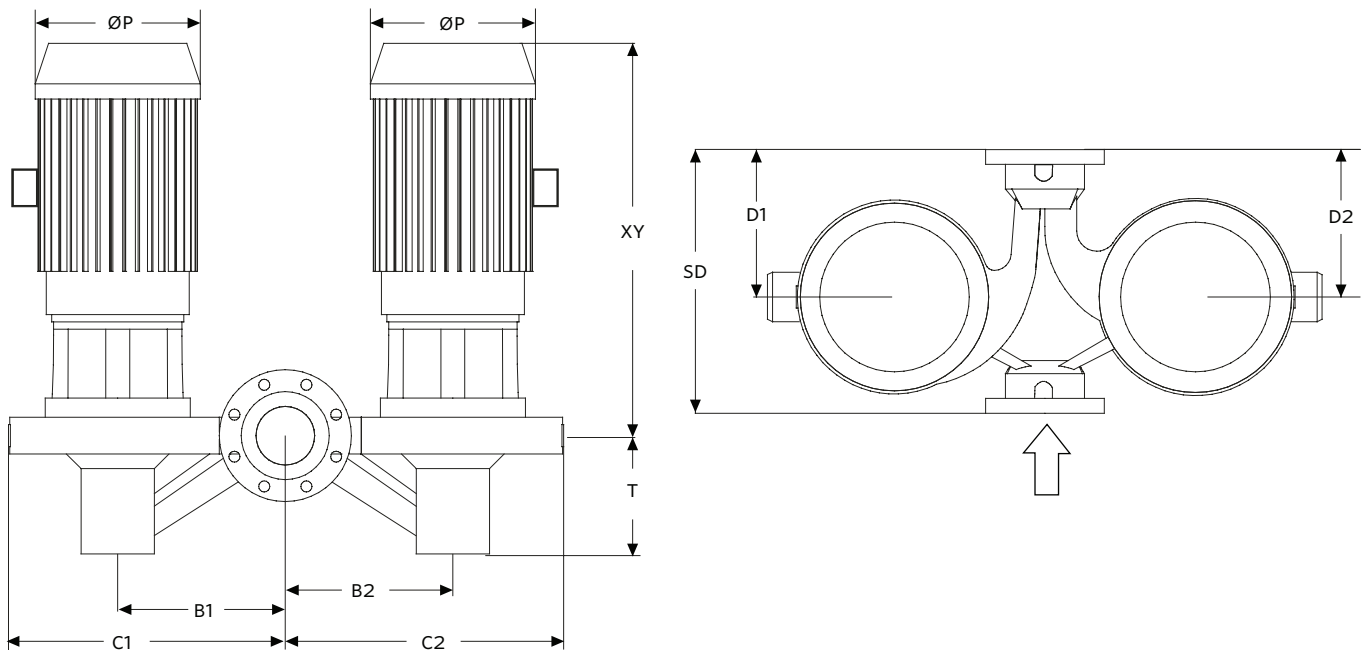
FLUID TYPE	ALL GLYCOLS > 30% WT CONC		ALL OTHER NON-POTABLE FLUIDS		POTABLE (DRINKING) WATER	
	up to 200°F (93°C)	over 200°F (93°C)	up to 200°F (93°C)	over 200°F (93°C)	up to 200°F (93°C)	over 200°F (93°C)
<b>Temperature</b>	up to 200°F (93°C)	over 200°F (93°C)	up to 200°F (93°C)	over 200°F (93°C)	up to 200°F (93°C)	over 200°F (93°C)
<b>Rotating face</b>	Silicone carbide		Resin bonded carbon	Antimony loaded carbon	Resin bonded carbon	
<b>Seat elastomer</b>	EPDM (L-cup)	EPDM (O-ring)	EPDM (L-cup)	EPDM (O-ring)	EPDM (L-cup)	EPDM (O-ring)
<b>Material code</b>	SCSC L EPSS 2A	SCSC O EPSS 2A	C-SC L EPSS 2A	ACSC O EPSS 2A	C-SC L EPSS 2A	C-SC O EPSS 2A

MOTOR FRAME	HORSEPOWER @ RPM		1800	MAX. DIMENSIONS INCHES (mm)		WEIGHT	
	3600			P	XY	lbs (kg)	
	ODP	TEFC				ODP	TEFC
143	—	—	1	8.63 (219)	17.25 (438)	286 (129.7)	290 (131.5)
145	—	—	1.5	8.63 (219)	17.25 (438)	298 (135.2)	306 (138.8)
145	—	—	2	8.63 (219)	17.25 (438)	304 (137.9)	312 (141.5)
182	5	—	—	10.38 (264)	20.00 (508)	314 (142.4)	—
184	7.5	5	—	10.38 (264)	20.00 (508)	336 (152.4)	412 (186.9)
213	10	7.5	—	12.13 (308)	23.50 (597)	415 (188.2)	483 (219.1)
215	15	10	—	12.13 (308)	23.50 (597)	493 (223.6)	519 (235.4)

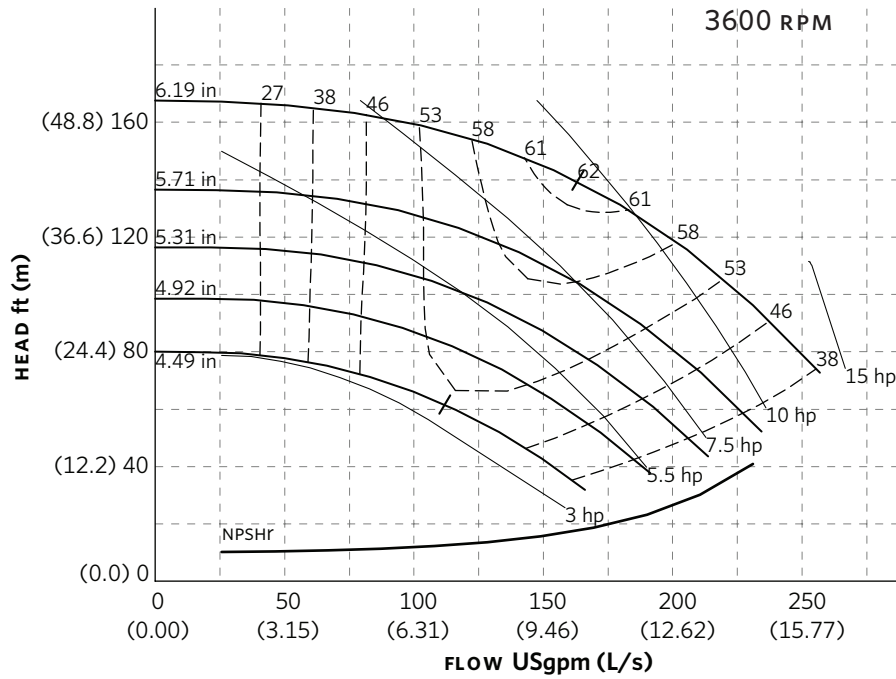
**PUMP DIMENSIONS**

INCHES (mm)

B1	B2	C1	C2	D1	D2	SD	T
7.87	7.87	12.34	12.34	7.28	7.28	12.99	5.30
(200)	(200)	(313)	(313)	(185)	(185)	(330)	(135)



SERIES 4392 PERFORMANCE CURVES



**Curve number**  
PT534-0-0-3550

**Series**  
4392

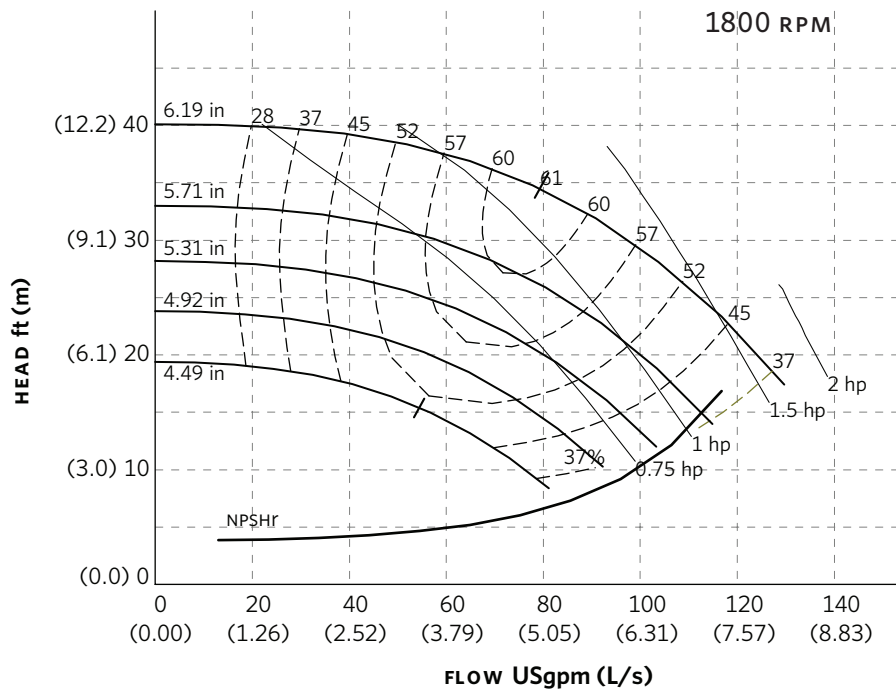
**Size**  
2 × 2 × 6

**RPM**  
3600

BHP based on shown  
Fluid's sp. gr.

**Availability**  
4392 all ratings

Performance  
guaranteed only  
at operating point  
indicated  
Curve shown for  
clear, cold water  
- SP. GR. 1.0000



**Curve number**  
PT533-0-0-1750

**Series**  
4392

**Size**  
2 × 2 × 6

**RPM**  
1800

BHP based on shown  
Fluid's sp. gr.

**Availability**  
4392 all ratings

Performance  
guaranteed only  
at operating point  
indicated  
Curve shown for  
clear, cold water  
- SP. GR. 1.0000

Performance curves are for reference only.  
Confirm current performance data with Armstrong ACE ONLINE selection software.

**TORONTO**

23 BERTRAND AVENUE  
TORONTO, ONTARIO  
CANADA  
M1L 2P3  
+416 755 2291

**BUFFALO**

93 EAST AVENUE  
NORTH TONAWANDA, NEW YORK  
U.S.A.  
14120-6594  
+716 693 8813

**BIRMINGHAM**

HEYWOOD WHARF, MUCKLOW HILL  
HALESOWEN, WEST MIDLANDS  
UNITED KINGDOM  
B62 8DJ  
+44 (0) 8444 145 145

**MANCHESTER**

WOLVERTON STREET  
MANCHESTER  
UNITED KINGDOM  
M11 2ET  
+44 (0) 8444 145 145

**BANGALORE**

#59, FIRST FLOOR, 3RD MAIN  
MARGOSA ROAD, MALLESWARAM  
BANGALORE, INDIA  
560 003  
+91 (0) 80 4906 3555

**SHANGHAI**

NO. 1619 HU HANG ROAD, XI DU TOWNSHIP  
FENG XIAN DISTRICT, SHANGHAI  
P.R.C.  
201401  
+86 21 3756 6696

MAKING  
ENERGY  
MAKE  
SENSE™