

## SERIES 4382 | VERTICAL IN-LINE DUALARM CLOSED-COUPLED | 6 × 6 × 8 | SUBMITTAL

File No: 43D.720  
Date: JAN. 16, 2015  
Supersedes: 43D.720  
Date: DEC. 04, 2014

Job: \_\_\_\_\_ Representative: \_\_\_\_\_  
Order no.: \_\_\_\_\_ Date: \_\_\_\_\_  
Engineer: \_\_\_\_\_ Submitted by: \_\_\_\_\_ Date: \_\_\_\_\_  
Contractor: \_\_\_\_\_ Approved by: \_\_\_\_\_ Date: \_\_\_\_\_

### PUMP DESIGN DATA

No. of pumps: \_\_\_\_\_ Tag: \_\_\_\_\_  
Capacity: \_\_\_\_\_ USgpm (L/s) Head: \_\_\_\_\_ ft (m)  
Liquid: \_\_\_\_\_ Viscosity: \_\_\_\_\_  
Temperature: \_\_\_\_\_ °F (°C) Specific gravity: \_\_\_\_\_  
Suction: 6" (150mm) Discharge: 6" (150mm)

### MOTOR DESIGN DATA

HP: \_\_\_\_\_ RPM: \_\_\_\_\_ Frame size: \_\_\_\_\_ Enclosure: \_\_\_\_\_  
Volts: \_\_\_\_\_ Hertz: 60 Hz Phase: 3  
Efficiency:  Energy EFF 12.11  NEMA premium 12.12

### MATERIALS OF CONSTRUCTION

ANSI FLANGE RATING	ANSI 125	ANSI 250
<b>Construction</b>	<input type="checkbox"/> BF	<input type="checkbox"/> DBF
<b>Casing</b>	Cast iron	Ductile iron
<b>Adapter</b>	Cast iron	Ductile iron

**Impeller:** Bronze  
**Gasket:** Confined non-asbestos fiber  
**Shaft:** Carbon steel  
**Shaft sleeve:** Bronze  
**Flush line:** Braided stainless steel

### MAXIMUM PUMP OPERATING CONDITIONS

**ANSI 125**  
175 psig at 150°F (12 bars at 65°C)  
140 psig at 250°F (10 bars at 121°C)  
**ANSI 250**  
250 psig at 150°F (17 bars at 65°C)  
250 psig at 250°F (17 bars at 121°C)

- Coupling guard (not shown) is supplied
- See performance curves on page 3
- For exact installation, data please write factory for certified dimensions

### MECHANICAL SEAL DATA

**Seal type:** 2A  
**Stationary seat:** Silicone carbide  
**Secondary seal:** EPDM  
**Rotating hardware:** Stainless steel  
**Spring:** Stainless steel

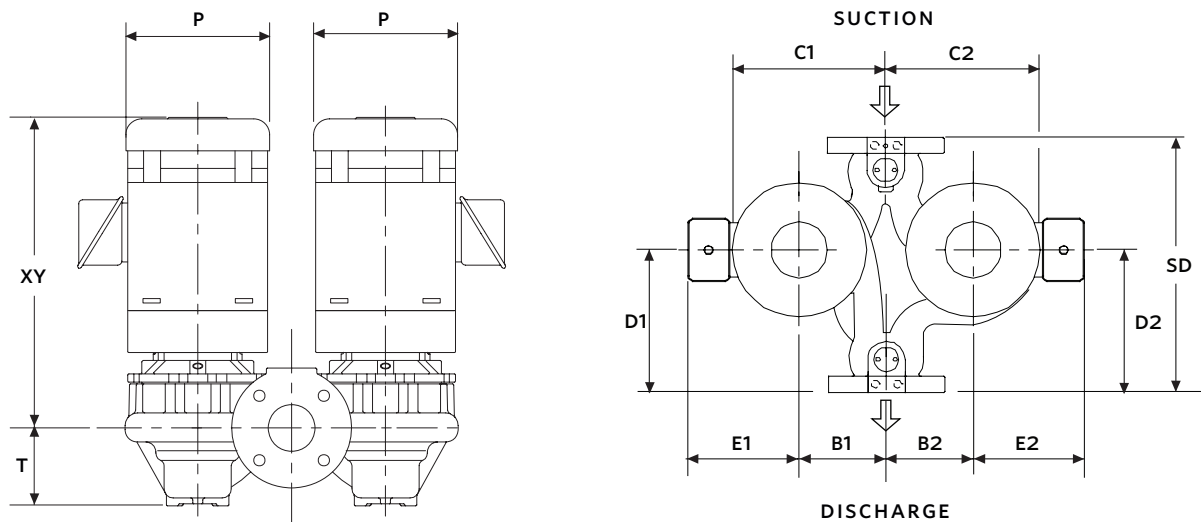
### OPTIONAL EQUIPMENT

FLUID TYPE	ALL GLYCOLS > 30% WT CONC		ALL OTHER NON-POTABLE FLUIDS		POTABLE (DRINKING) WATER	
	up to 200°F (93°C)	over 200°F (93°C)	up to 200°F (93°C)	over 200°F (93°C)	up to 200°F (93°C)	over 200°F (93°C)
<b>Temperature</b>	up to 200°F (93°C)	over 200°F (93°C)	up to 200°F (93°C)	over 200°F (93°C)	up to 200°F (93°C)	over 200°F (93°C)
<b>Rotating face</b>	Silicone carbide		Resin bonded carbon	Antimony loaded carbon	Resin bonded carbon	
<b>Seat elastomer</b>	EPDM (L-cup)	EPDM (O-ring)	EPDM (L-cup)	EPDM (O-ring)	EPDM (L-cup)	EPDM (O-ring)
<b>Material code</b>	SCSc L EPSS 2A	SCSc O EPSS 2A	C-SC L EPSS 2A	ACSc O EPSS 2A	C-SC L EPSS 2A	C-SC O EPSS 2A

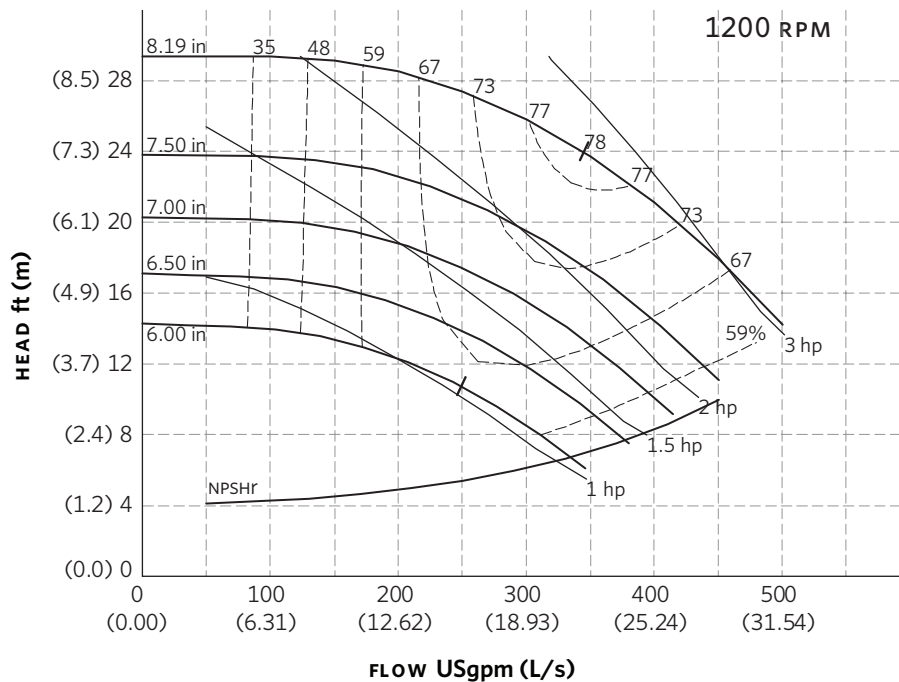
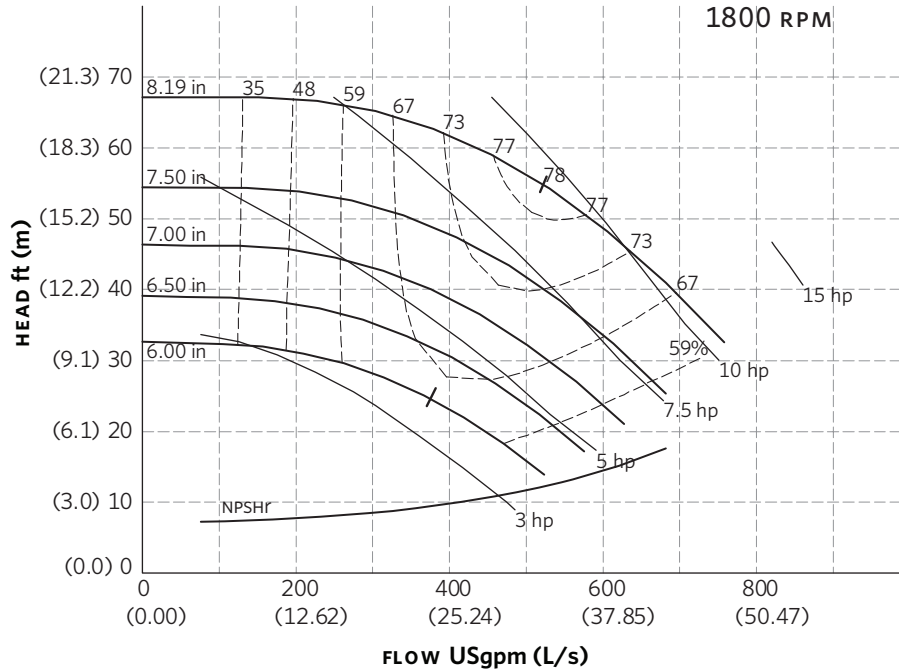
MOTOR	HP @ RPM		MAX. DIMENSIONS inches (mm)				WEIGHT	
	1800	1200	E1	E2	P	XY	ODP	TEFC
182JM	—	1.5	7.50 (191)	7.50 (191)	10.38 (264)	19.67 (500)	520 (235.9)	600 (272.2)
184JM	—	2	7.50 (191)	7.50 (191)	10.38 (264)	19.67 (500)	552 (250.4)	616 (279.4)
184JM	5	—	7.50 (191)	7.50 (191)	10.38 (264)	19.67 (500)	556 (252.2)	632 (286.7)
213JP	—	3	8.25 (210)	8.25 (210)	12.13 (308)	25.89 (658)	598 (271.2)	730 (331.1)
213JP	7.5	—	8.25 (210)	8.25 (210)	12.13 (308)	25.89 (658)	612 (277.6)	746 (338.4)
215JP	10	—	8.25 (210)	8.25 (210)	12.13 (308)	25.89 (658)	940 (426.4)	998 (452.7)
254JM	15	—	9.94 (252)	9.94 (252)	12.13 (308)	25.26 (642)	1012 (459.0)	1082 (490.8)

**PUMP DIMENSIONS**  
inches (mm)

B1	B2	C1	C2	D1	D2	SD	T
9.75	9.75	16.90	17.63	16.81	16.81	33.94	7.875
(248)	(248)	(429)	(448)	(427)	(427)	(862)	(200)



## SERIES 4382 PERFORMANCE CURVES



Performance curves are for reference only.  
Confirm current performance data with Armstrong ACE ONLINE selection software.

**TORONTO**

23 BERTRAND AVENUE  
TORONTO, ONTARIO  
CANADA  
M1L 2P3  
+416 755 2291

**BUFFALO**

93 EAST AVENUE  
NORTH TONAWANDA, NEW YORK  
U.S.A.  
14120-6594  
+716 693 8813

**BIRMINGHAM**

HEYWOOD WHARF, MUCKLOW HILL  
HALESOWEN, WEST MIDLANDS  
UNITED KINGDOM  
B62 8DJ  
+44 (0) 8444 145 145

**MANCHESTER**

WOLVERTON STREET  
MANCHESTER  
UNITED KINGDOM  
M11 2ET  
+44 (0) 8444 145 145

**BANGALORE**

#59, FIRST FLOOR, 3RD MAIN  
MARGOSA ROAD, MALLESWARAM  
BANGALORE, INDIA  
560 003  
+91 (0) 80 4906 3555

**SHANGHAI**

NO. 1619 HU HANG ROAD, XI DU TOWNSHIP  
FENG XIAN DISTRICT, SHANGHAI  
P.R.C.  
201401  
+86 21 3756 6696

**MAKING  
ENERGY  
MAKE  
SENSE™**