

## SERIES 4380 | CLOSED-COUPLED VERTICAL IN-LINE | 100-150A (4x4x6) | SUBMITTAL

**File No:** 43.708L  
**Date:** APRIL 04, 2016  
**Supersedes:** NEW  
**Date:** NEW

Job: \_\_\_\_\_ Representative: \_\_\_\_\_  
 \_\_\_\_\_ Order no.: \_\_\_\_\_ Date: \_\_\_\_\_  
 Engineer: \_\_\_\_\_ Submitted by: \_\_\_\_\_ Date: \_\_\_\_\_  
 Contractor: \_\_\_\_\_ Approved by: \_\_\_\_\_ Date: \_\_\_\_\_

### PUMP DESIGN DATA

No. of pumps: \_\_\_\_\_ Tag: \_\_\_\_\_  
 Capacity: \_\_\_\_\_ m<sup>3</sup>/h (USgpm) Head: \_\_\_\_\_ m(ft)  
 Liquid: \_\_\_\_\_ Viscosity: \_\_\_\_\_  
 Temperature: \_\_\_\_\_ °C (°F) Specific gravity: \_\_\_\_\_  
 Suction: 100mm (4") Discharge: 100mm (4")

### MATERIALS OF CONSTRUCTION

DIN FLANGE RATING	PN 16	PN 25
<b>Construction</b>	<input type="checkbox"/> BF	<input type="checkbox"/> DBF
<b>Casing</b>	Cast iron	Ductile iron
<b>Adapter</b>	Cast iron	Ductile iron

**Impeller:** Bronze

**Gasket:** Confined non-asbestos fiber

**Shaft:** Carbon steel

**Shaft sleeve:** Bronze

**Flush line:** Braided stainless steel

### MECHANICAL SEAL DATA

**Seal type:** 2A      **Stationary seat:** Silicone carbide  
**Secondary seal:** EPDM      **Rotating hardware:** Stainless steel  
**Spring:** Stainless steel

### MOTOR DESIGN DATA

kW: \_\_\_\_\_ RPM: \_\_\_\_\_  
 Frame size: \_\_\_\_\_ Enclosure: \_\_\_\_\_  
 Volts: \_\_\_\_\_ Hertz: 50 Hz      Phase: 3  
 Efficiency:  IE1     IE2     IE3

### MAXIMUM PUMP OPERATING CONDITIONS

#### PN 16

12 bars at 65°C (175 psig at 150°F)  
 10 bars at 121°C (140 psig at 250°F)

#### PN 25

20 bars at 65°C (300 psig at 150°F)  
 17 bars at 121°C (250 psig at 250°F)

- Tolerance of ±3 mm (±0.125") should be used
- For exact installation, data please write factory for certified dimensions
- Pump equipped with casing drain plug and ¼" NPT suction and discharge gauge ports.
- See performance curves on page 3

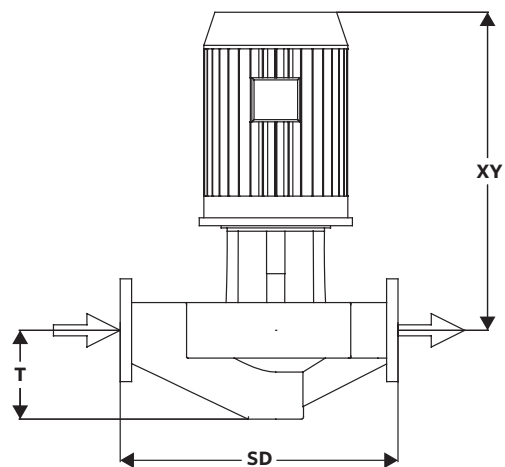
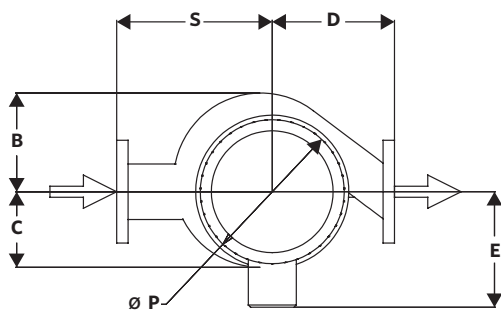
### OPTIONAL EQUIPMENT

FLUID TYPE	ALL GLYCOLS > 30% WT CONC		ALL OTHER NON-POTABLE FLUIDS		POTABLE (DRINKING) WATER	
<b>Temperature</b>	up to 93°C (200°F)	over 93°C (200°F)	up to 93°C (200°F)	over 93°C (200°F)	up to 93°C (200°F)	over 93°C (200°F)
<b>Rotating face</b>	Silicone carbide		Resin bonded carbon	Antimony loaded carbon	Resin bonded carbon	
<b>Seat elastomer</b>	EPDM (L-cup)	EPDM (O-ring)	EPDM (L-cup)	EPDM (O-ring)	EPDM (L-cup)	EPDM (O-ring)
<b>Material code</b>	SCSc L EPSS 2A	SCSc O EPSS 2A	C-Sc L EPSS 2A	ACSc O EPSS 2A	C-Sc L EPSS 2A	C-Sc O EPSS 2A

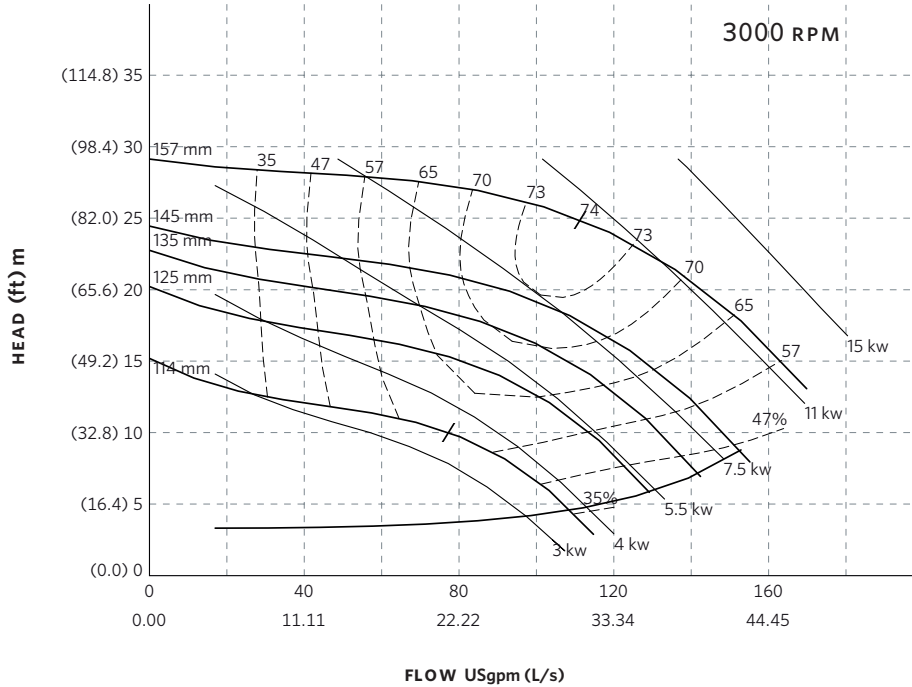
MOTOR	KILOWATT @ RPM		FULL LOAD CURRENT (A)	STARTING CURRENT (A)		DIMENSIONS mm (inches)			WEIGHT
	3000	1500		STAR DELTA (SD)	DIRECT ON LINE (DOL)	E	P	XY	
80	—	0.55	1.3	—	5.5	123 (4.84)	170 (6.69)	422 (16.63)	78 (172)
80	—	0.75	1.7	—	7.4	123 (4.84)	170 (6.69)	422 (16.63)	79 (175)
90S	—	1.1	2.5	—	12.6	133 (5.24)	190 (7.48)	375 (14.78)	82 (181)
90L	—	1.5	3.3	—	18.6	133 (5.24)	190 (7.48)	422 (16.63)	84 (185)
100L	3	—	6.1	—	47.8	138 (5.43)	200 (7.87)	446 (17.56)	88 (193)
112M	4	—	8.0	22.4	62.4	148 (5.83)	235 (9.25)	489 (19.27)	97 (215)
132S	5.5	—	10.8	25.9	88.6	175 (6.89)	280 (11.02)	566 (22.30)	103 (228)
132S	7.5	—	14.5	36.3	118.9	175 (6.89)	280 (11.02)	566 (22.30)	109 (241)
160M	11	—	21.1	52.8	164.6	208 (8.19)	315 (12.40)	604 (23.79)	166 (367)

**PUMP DIMENSIONS**  
mm (inches)

B	C	D	S	T
140 (5.50)	174 (6.84)	254 (10.00)	305 (12.00)	197 (7.75)



## SERIES 4380 PERFORMANCE CURVES



**Curve number**  
PT86-3-0-3000

**Series**  
4300  
4380

**Size**  
100-150A

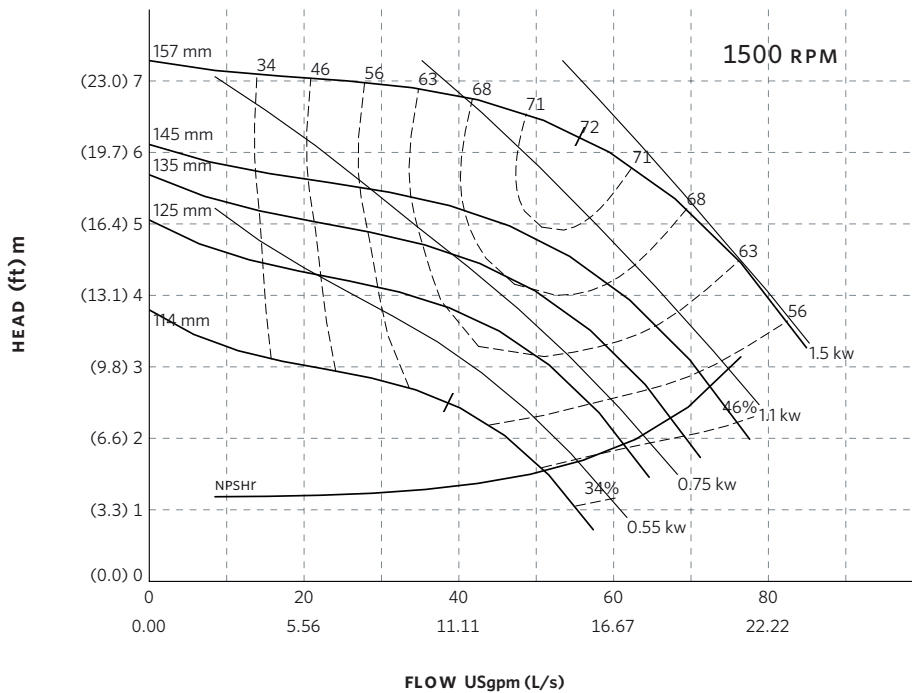
**RPM**  
3000

BHP based on shown  
Fluid's sp. gr.

**Availability**  
4300 all ratings  
4380 all ratings

Performance  
guaranteed only  
at operating point  
indicated

Curve shown for  
clear, cold water  
- SP. GR. 1.000



**Curve number**  
PT85-3-0-1500

**Series**  
4300  
4380

**Size**  
100-150A

**RPM**  
1500

BHP based on shown  
Fluid's sp. gr.

**Availability**  
4300 all ratings  
4380 all ratings

Performance  
guaranteed only  
at operating point  
indicated

Curve shown for  
clear, cold water  
- SP. GR. 1.000

Performance curves are for reference only.

Confirm current performance data with Armstrong ACE Online selection software.

**TORONTO**

23 BERTRAND AVENUE  
TORONTO, ONTARIO  
CANADA  
M1L 2P3  
+1 416 755 2291

**BUFFALO**

93 EAST AVENUE  
NORTH TONAWANDA, NEW YORK  
U.S.A.  
14120-6594  
+1 716 693 8813

**BIRMINGHAM**

HEYWOOD WHARF, MUCKLOW HILL  
HALESOWEN, WEST MIDLANDS  
UNITED KINGDOM  
B62 8DJ  
+44 (0) 8444 145 145

**MANCHESTER**

WOLVERTON STREET  
MANCHESTER  
UNITED KINGDOM  
M11 2ET  
+44 (0) 8444 145 145

**BANGALORE**

#59, FIRST FLOOR, 3RD MAIN  
MARGOSA ROAD, MALLESWARAM  
BANGALORE, INDIA  
560 003  
+91 (0) 80 4906 3555

**SHANGHAI**

NO. 1619 HU HANG ROAD, XI DU TOWNSHIP  
FENG XIAN DISTRICT, SHANGHAI  
P.R.C.  
201401  
+86 21 3756 6696

**SÃO PAULO**

RUA JOSÉ SEMIÃO RODRIGUES AGOSTINHO,  
1370 GALPÃO 6  
EMBU DAS ARTES  
SAO PAULO, BRAZIL  
+55 11 4781 5500

ARMSTRONG FLUID TECHNOLOGY  
ESTABLISHED 1934

ARMSTRONGFLUIDTECHNOLOGY.COM

**MAKING  
ENERGY  
MAKE  
SENSE™**