

SERIES 4312

SPLIT-COUPLED VERTICAL IN-LINE TWIN PUMP

3 × 3 × 10 | SUBMITTAL

File No: 43T.417
 Date: DECEMBER 4, 2014
 Supersedes: 43T.417
 Date: JULY 16, 2012

Job: _____ Representative: _____

Ordered by: _____ Date: _____

Engineer: _____ Submitted by: _____ Date: _____

Contractor: _____ Approved by: _____ Date: _____

PUMP DESIGN DATA

No. of pumps: _____ Tag: _____
 Capacity: _____ USgpm (L/s) Head: _____ ft (m)
 Liquid: _____ Viscosity: _____
 Temperature: _____ °F (°C) Specific gravity: _____
 Suction: 3"(75mm) Discharge: 3"(75mm)

MOTOR DESIGN DATA

HP: _____ RPM: _____ Frame size: _____ Enclosure: _____
 Volts: _____ Hertz: 60 Hz Phase: 3
 Efficiency: NEMA premium 12.12 Other: _____%

MATERIALS OF CONSTRUCTION

ANSI FLANGE RATING	ANSI 125
Construction	<input type="checkbox"/> BF
Casing	Cast iron
Adapter	Cast iron

Impeller: Bronze
Gasket: Confined non-asbestos fiber
Shaft: Carbon steel
Shaft sleeve: Bronze
Flush line: Braided stainless steel

MAXIMUM PUMP OPERATING CONDITIONS

ANSI 125
 175 psig at 150°F (12 bars at 65°C)
 100 psig at 300°F (7 bars at 150°C)

- See performance curves on page 3
- For exact installation, data please write factory for certified dimensions
- See file no. 43.50 for maximum seal operating conditions

MECHANICAL SEAL DATA

See file no. 43.50 for standard mechanical seal details as indicated below.

ARMSTRONG SEAL REFERENCE NUMBER:

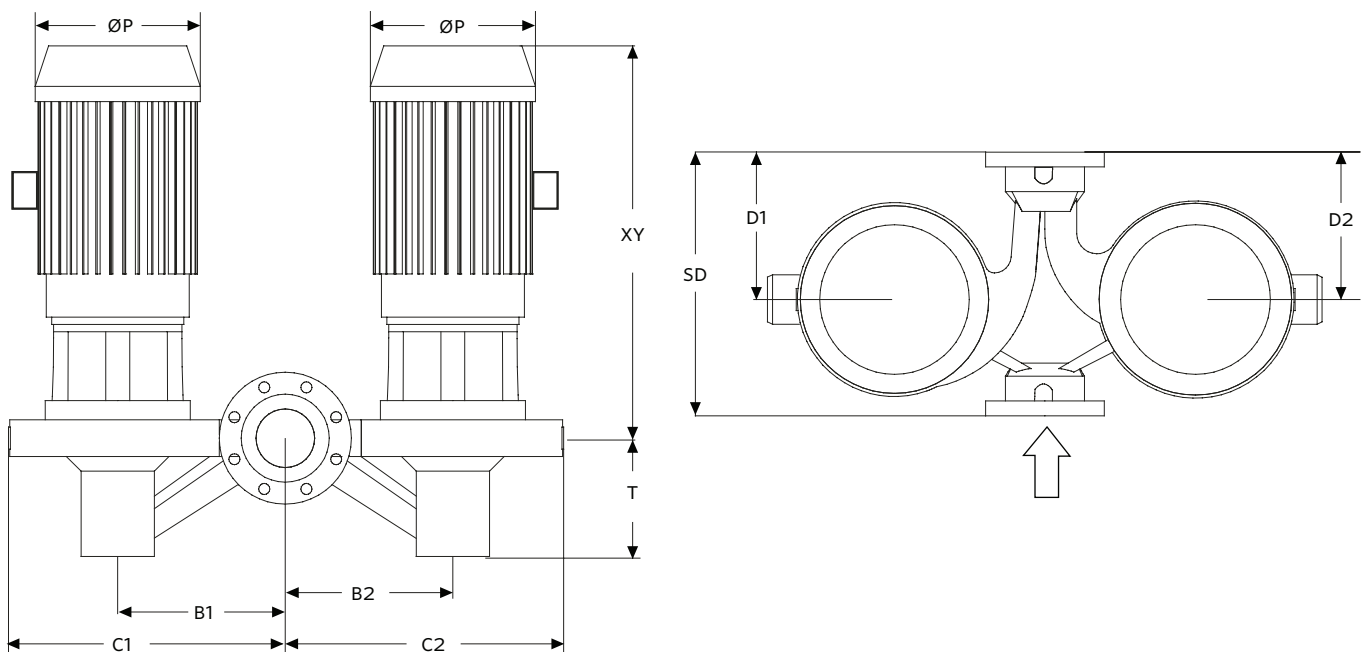
c1 (a) Other: _____

MOTOR FRAME	HORSEPOWER @ RPM		MAX. DIMENSIONS INCHES (mm)		WEIGHT		
	3600		1800	P	XY	lbs (kg)	
	ODP	TEFC				ODP	TEFC
184TC	—	—	5	10.38 (264)	26.54 (674)	620 (281.2)	676 (306.6)
213TC	—	—	7.5	12.13 (308)	29.16 (741)	690 (313.0)	790 (358.3)
215TC	—	—	10	12.13 (308)	29.16 (741)	720 (326.6)	804 (364.7)
284TC	30	—	—	15.31 (389)	43.36 (1101)	1246 (565.2)	—
286TC	40	30	—	15.31 (389)	43.36 (1101)	1414 (641.4)	1356 (615.1)
324TSC	50	40	—	17.00 (432)	44.29 (1125)	1620 (734.8)	1622 (735.7)
326TSC	60	50	—	17.00 (432)	44.29 (1125)	1768 (802.0)	1714 (777.5)
364TSC	75	60	—	19.03 (483)	42.60 (1082)	—	—
365TSC	100	75	—	19.03 (483)	42.60 (1082)	—	—

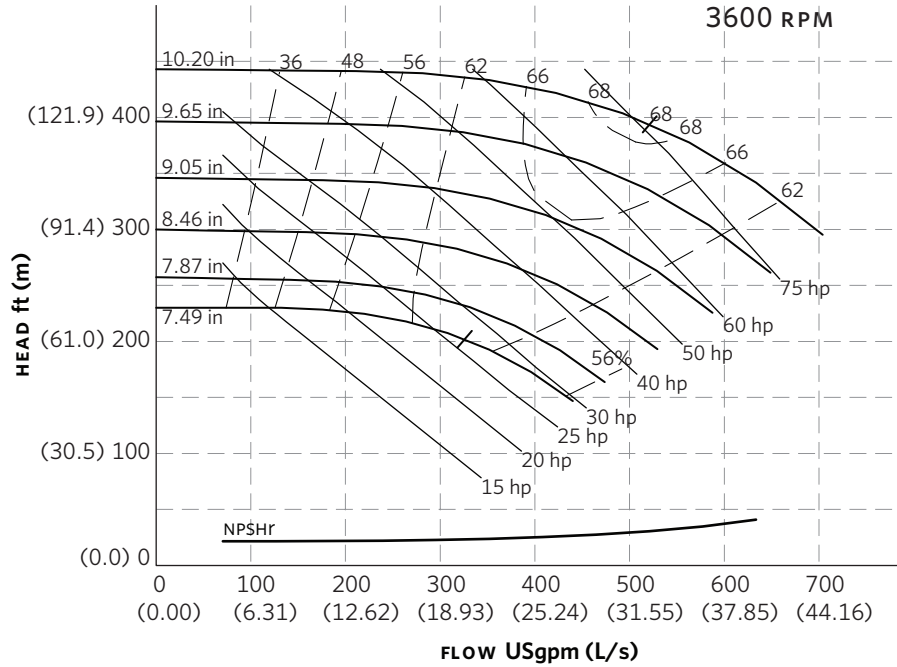
PUMP DIMENSIONS

INCHES (mm)

B1	B2	C1	C2	D1	D2	SD	T
11.42	11.42	18.19	18.28	11.02	12.01	19.69	6.18
(290)	(290)	(462)	(464)	(280)	(305)	(500)	(157)



SERIES 4312 PERFORMANCE CURVES



Curve number
PT67-3-0-3550

Series
4312

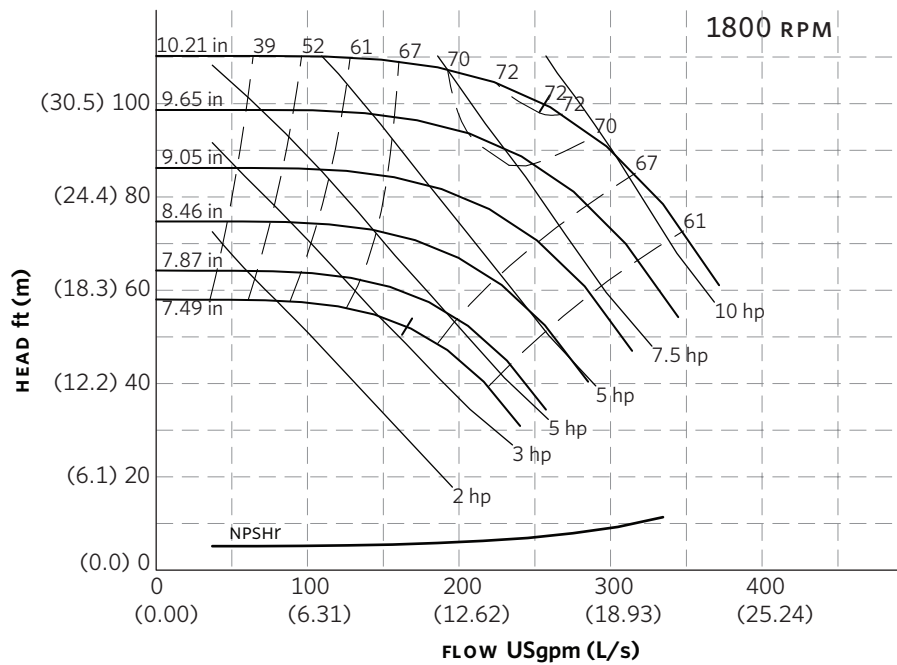
Size
3 × 3 × 10

RPM
3600

BHP based on shown
Fluid's sp. gr.

Availability
4312 all ratings

Performance
guaranteed only
at operating point
indicated
Curve shown for
clear, cold water
- SP. GR. 1.0000



Curve number
PT66-3-0-1750

Series
4312

Size
3 × 3 × 10

RPM
1800

BHP based on shown
Fluid's sp. gr.

Availability
4312 all ratings

Performance
guaranteed only
at operating point
indicated
Curve shown for
clear, cold water
- SP. GR. 1.0000

Performance curves are for reference only.
Confirm current performance data with Armstrong ACE ONLINE selection software.

TORONTO

23 BERTRAND AVENUE
TORONTO, ONTARIO
CANADA
M1L 2P3
+416 755 2291

BUFFALO

93 EAST AVENUE
NORTH TONAWANDA, NEW YORK
U.S.A.
14120-6594
+716 693 8813

BIRMINGHAM

HEYWOOD WHARF, MUCKLOW HILL
HALESOWEN, WEST MIDLANDS
UNITED KINGDOM
B62 8DJ
+44 (0) 8444 145 145

MANCHESTER

WOLVERTON STREET
MANCHESTER
UNITED KINGDOM
M11 2ET
+44 (0) 8444 145 145

BANGALORE

#59, FIRST FLOOR, 3RD MAIN
MARGOSA ROAD, MALLESWARAM
BANGALORE, INDIA
560 003
+91 (0) 80 4906 3555

SHANGHAI

NO. 1619 HU HANG ROAD, XI DU TOWNSHIP
FENG XIAN DISTRICT, SHANGHAI
P.R.C.
201401
+86 21 3756 6696

**MAKING
ENERGY
MAKE
SENSE™**