

SERIES 4312

SPLIT-COUPLED VERTICAL IN-LINE TWIN PUMP

3 × 3 × 8 | SUBMITTAL

File No: 43T.409
 Date: DECEMBER 4, 2014
 Supersedes: 43T.409
 Date: JULY 16, 2012

Job: _____ Representative: _____

Ordered by: _____ Date: _____

Engineer: _____ Submitted by: _____ Date: _____

Contractor: _____ Approved by: _____ Date: _____

PUMP DESIGN DATA

No. of pumps: _____ Tag: _____
 Capacity: _____ USgpm (L/s) Head: _____ ft (m)
 Liquid: _____ Viscosity: _____
 Temperature: _____ °F (°C) Specific gravity: _____
 Suction: 3"(75mm) Discharge: 3"(75mm)

MOTOR DESIGN DATA

HP: _____ RPM: _____ Frame size: _____ Enclosure: _____
 Volts: _____ Hertz: 60 Hz Phase: 3
 Efficiency: NEMA premium 12.12 Other: _____%

MATERIALS OF CONSTRUCTION

ANSI FLANGE RATING	ANSI 125
Construction	<input type="checkbox"/> BF
Casing	Cast iron
Adapter	Cast iron

Impeller: Bronze
Gasket: Confined non-asbestos fiber
Shaft: Carbon steel
Shaft sleeve: Bronze
Flush line: Braided stainless steel

MAXIMUM PUMP OPERATING CONDITIONS

ANSI 125
 175 psig at 150°F (12 bars at 65°C)
 100 psig at 300°F (7 bars at 150°C)

- See performance curves on page 3
- For exact installation, data please write factory for certified dimensions
- See file no. 43.50 for maximum seal operating conditions

MECHANICAL SEAL DATA

See file no. 43.50 for standard mechanical seal details as indicated below.

ARMSTRONG SEAL REFERENCE NUMBER:

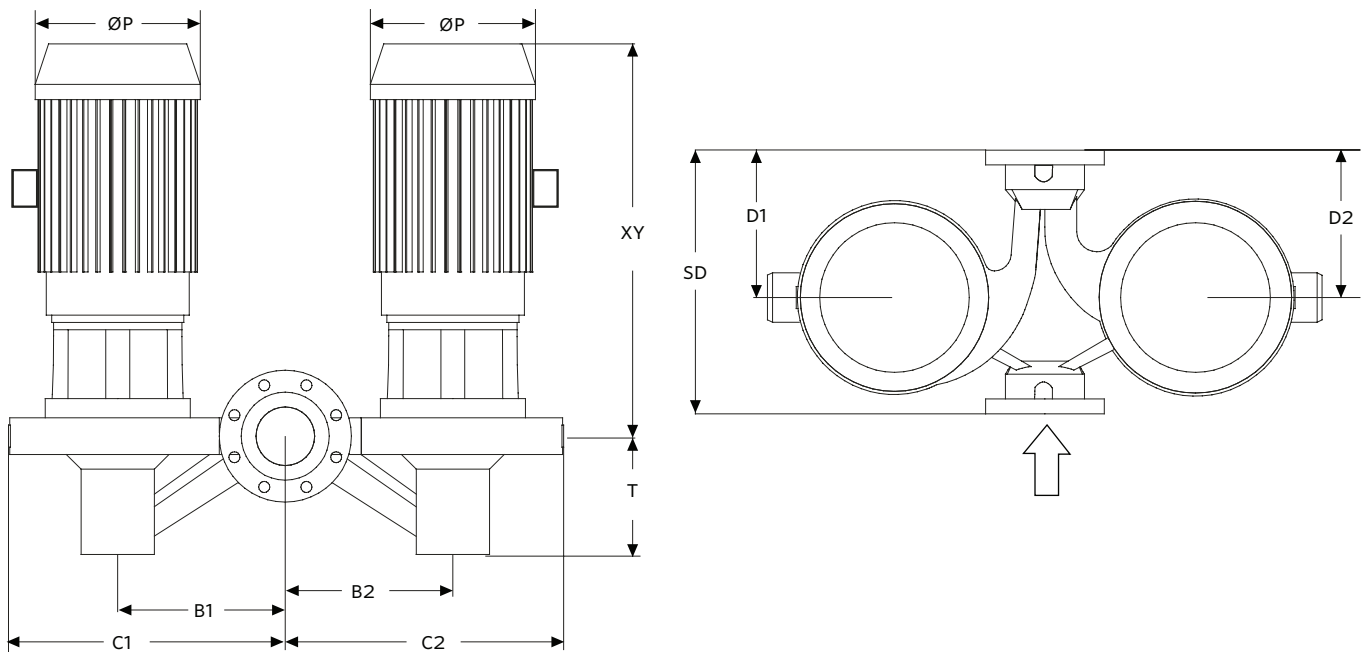
c1 (a) Other: _____

MOTOR FRAME	HORSEPOWER @ RPM		MAX. DIMENSIONS INCHES (mm)		WEIGHT		
	3600		1800	P	XY	lbs (kg)	
	ODP	TEFC				ODP	TEFC
182TC	—	—	3	10.38 (264)	26.54 (674)	476 (215.9)	538 (244.0)
184TC	—	—	5	10.38 (264)	26.54 (674)	500 (226.8)	556 (252.2)
213TC	—	—	7.5	12.13 (308)	29.16 (741)	570 (258.5)	670 (303.9)
254TC	20	—	—	13.38 (340)	34.10 (866)	770 (349.3)	—
256TC	25	20	—	13.38 (340)	34.10 (866)	880 (399.2)	966 (438.2)
284TSC	30	25	—	15.31 (389)	43.36 (1101)	1126 (510.7)	1110 (503.5)
286TSC	40	30	—	15.31 (389)	43.36 (1101)	1294 (586.9)	1236 (560.6)
324TSC	50	40	—	17.00 (432)	44.29 (1125)	1500 (680.4)	1502 (681.3)
326TSC	—	50	—	17.00 (432)	44.29 (1125)	—	1594 (723.0)

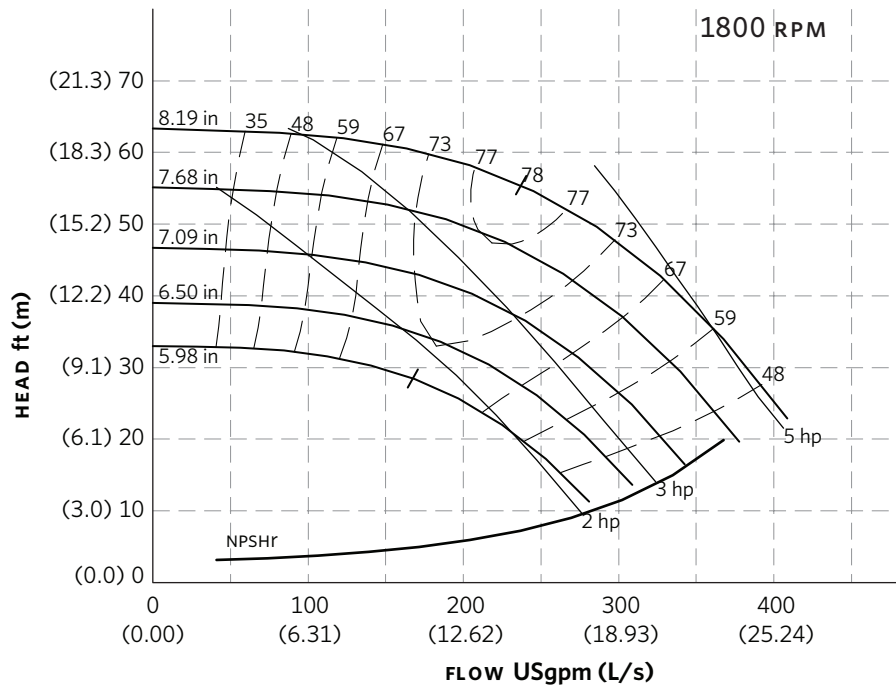
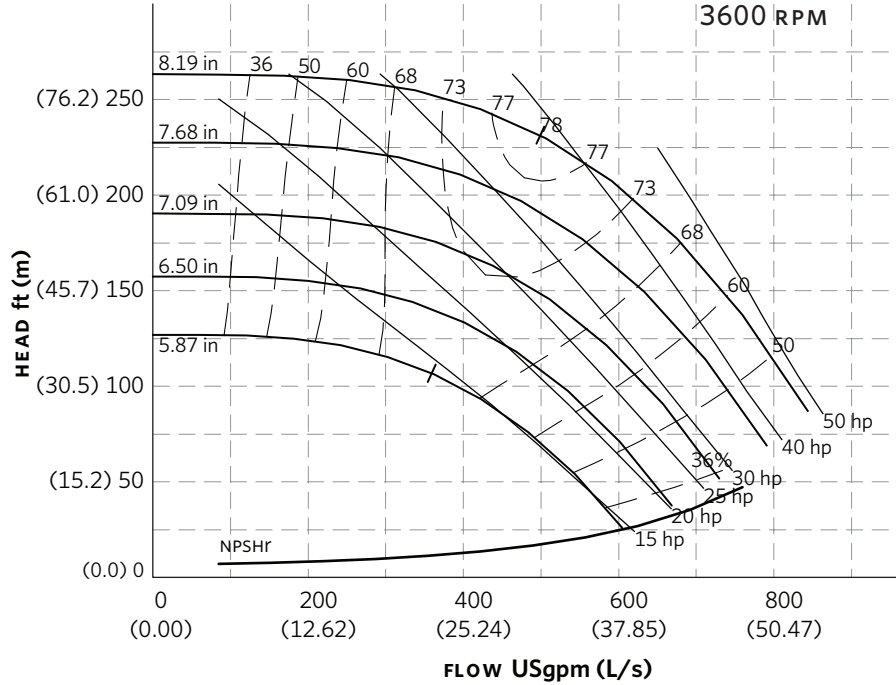
PUMP DIMENSIONS

INCHES (mm)

B1	B2	C1	C2	D1	D2	SD	T
9.84	9.84	16.22	16.24	7.87	9.05	15.75	6.22
(250)	(250)	(412)	(412)	(200)	(230)	(400)	(158)



SERIES 4312 PERFORMANCE CURVES



Performance curves are for reference only.
 Confirm current performance data with Armstrong ACE ONLINE selection software.

TORONTO

23 BERTRAND AVENUE
TORONTO, ONTARIO
CANADA
M1L 2P3
+416 755 2291

BUFFALO

93 EAST AVENUE
NORTH TONAWANDA, NEW YORK
U.S.A.
14120-6594
+716 693 8813

BIRMINGHAM

HEYWOOD WHARF, MUCKLOW HILL
HALESOWEN, WEST MIDLANDS
UNITED KINGDOM
B62 8DJ
+44 (0) 8444 145 145

MANCHESTER

WOLVERTON STREET
MANCHESTER
UNITED KINGDOM
M11 2ET
+44 (0) 8444 145 145

BANGALORE

#59, FIRST FLOOR, 3RD MAIN
MARGOSA ROAD, MALLESWARAM
BANGALORE, INDIA
560 003
+91 (0) 80 4906 3555

SHANGHAI

NO. 1619 HU HANG ROAD, XI DU TOWNSHIP
FENG XIAN DISTRICT, SHANGHAI
P.R.C.
201401
+86 21 3756 6696

MAKING
ENERGY
MAKE
SENSE™