

## SERIES 4312

### SPLIT-COUPLED VERTICAL IN-LINE TWIN PUMP

4 × 4 × 6 | **SUBMITTAL**

**File No:** 43T.405  
**Date:** DECEMBER 4, 2014  
**Supersedes:** 43T.405  
**Date:** JULY 16, 2012

Job: \_\_\_\_\_ Representative: \_\_\_\_\_

Ordered by: \_\_\_\_\_ Date: \_\_\_\_\_

Engineer: \_\_\_\_\_ Submitted by: \_\_\_\_\_ Date: \_\_\_\_\_

Contractor: \_\_\_\_\_ Approved by: \_\_\_\_\_ Date: \_\_\_\_\_

#### PUMP DESIGN DATA

No. of pumps: \_\_\_\_\_ Tag: \_\_\_\_\_  
 Capacity: \_\_\_\_\_ USgpm (L/s) Head: \_\_\_\_\_ ft (m)  
 Liquid: \_\_\_\_\_ Viscosity: \_\_\_\_\_  
 Temperature: \_\_\_\_\_ °F (°C) Specific gravity: \_\_\_\_\_  
 Suction: 4" (100mm) Discharge: 4" (100mm)

#### MOTOR DESIGN DATA

HP: \_\_\_\_\_ RPM: \_\_\_\_\_ Frame size: \_\_\_\_\_ Enclosure: \_\_\_\_\_  
 Volts: \_\_\_\_\_ Hertz: 60 Hz Phase: 3  
 Efficiency:  NEMA premium 12.12  Other: \_\_\_\_\_%

#### MATERIALS OF CONSTRUCTION

ANSI FLANGE RATING	ANSI 125
<b>Construction</b>	<input type="checkbox"/> BF
<b>Casing</b>	Cast iron
<b>Adapter</b>	Cast iron

**Impeller:** Bronze

**Gasket:** Confined non-asbestos fiber

**Shaft:** Carbon steel

**Shaft sleeve:** Bronze

**Flush line:** Braided stainless steel

#### MAXIMUM PUMP OPERATING CONDITIONS

##### ANSI 125

175 psig at 150°F (12 bars at 65°C)

100 psig at 300°F (7 bars at 150°C)

- See performance curves on page 3
- For exact installation, data please write factory for certified dimensions
- See file no. 43.50 for maximum seal operating conditions

#### MECHANICAL SEAL DATA

See file no. 43.50 for standard mechanical seal details as indicated below.

ARMSTRONG SEAL REFERENCE NUMBER:

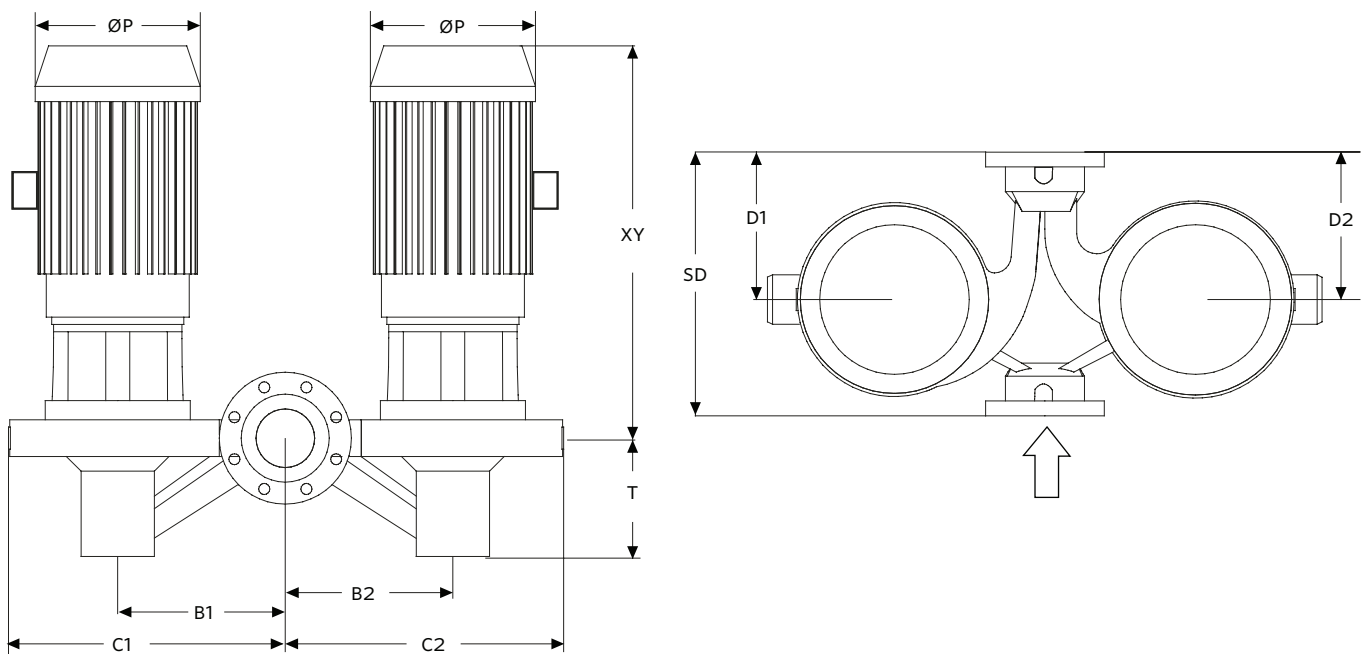
c1 (a) Other: \_\_\_\_\_

MOTOR FRAME	HORSEPOWER @ RPM		MAX. DIMENSIONS INCHES (mm)		WEIGHT		
	3600		1800	P	XY	lbs (kg)	
	ODP	TEFC				ODP	TEFC
143TC	—	—	1	8.63 (219)	22.28 (566)	434 (196.9)	448 (203.2)
145TC	—	—	1.5	8.63 (219)	22.28 (566)	436 (197.8)	452 (205.0)
145TC	—	—	2	8.63 (219)	22.28 (566)	444 (201.4)	456 (206.8)
182TC	—	—	3	10.38 (264)	26.81 (681)	476 (215.9)	538 (244.0)
184TC	7.5	—	—	10.38 (264)	26.81 (681)	478 (216.8)	—
213TC	10	7.5	—	12.13 (308)	29.43 (748)	610 (276.7)	608 (275.8)
215TC	15	10	—	12.13 (308)	29.43 (748)	620 (281.2)	686 (311.2)
254TC	20	15	—	13.38 (340)	34.37 (873)	770 (349.3)	900 (408.2)
256TC	25	20	—	13.38 (340)	34.37 (873)	880 (399.2)	966 (438.2)

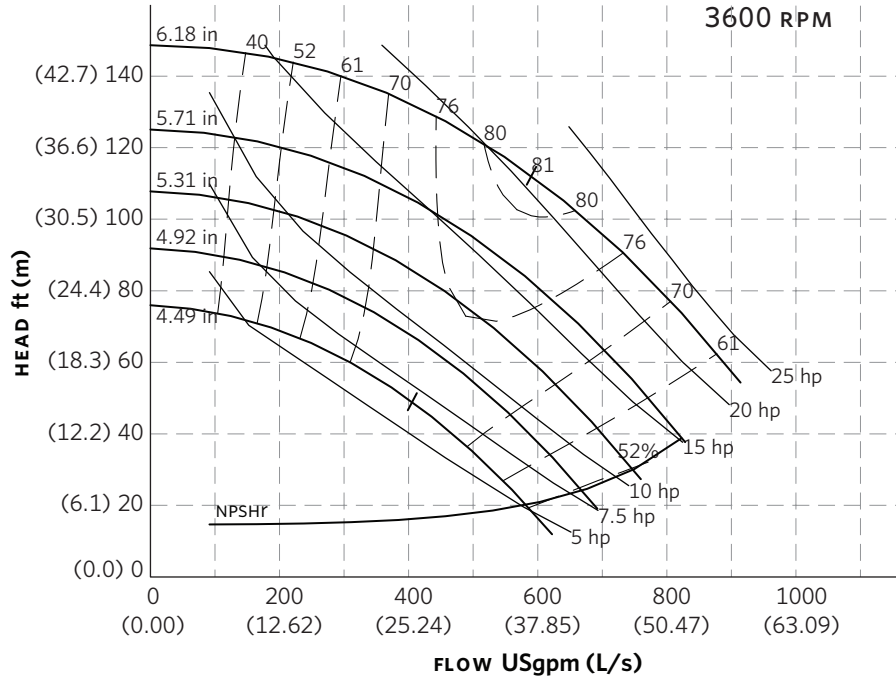
**PUMP DIMENSIONS**

INCHES (mm)

B1	B2	C1	C2	D1	D2	SD	T
9.65	9.65	15.76	16.12	11.42	11.42	19.29	7.01
(245)	(245)	(400)	(409)	(290)	(290)	(490)	(178)



**SERIES 4312 PERFORMANCE CURVES**



**Curve number**  
PT540-0-0-3600

**Series**  
4312

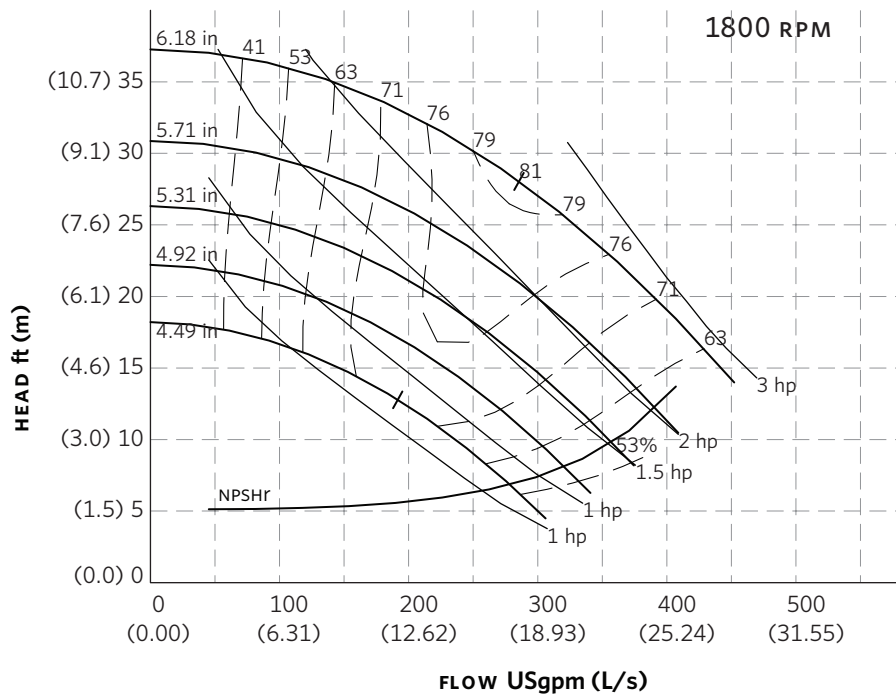
**Size**  
4 × 4 × 6

**RPM**  
3600

HP based on shown  
Fluid's sp. gr.

**Availability**  
4312 all ratings

Performance guaranteed only at operating point indicated  
Curve shown for clear, cold water  
- SP. GR. 1.0000



**Curve number**  
PT539-0-0-1800

**Series**  
4312

**Size**  
4 × 4 × 6

**RPM**  
1800

HP based on shown  
Fluid's sp. gr.

**Availability**  
4312 all ratings

Performance guaranteed only at operating point indicated  
Curve shown for clear, cold water  
- SP. GR. 1.0000

Performance curves are for reference only.  
Confirm current performance data with Armstrong ACE ONLINE selection software.

**TORONTO**

23 BERTRAND AVENUE  
TORONTO, ONTARIO  
CANADA  
M1L 2P3  
+416 755 2291

**BUFFALO**

93 EAST AVENUE  
NORTH TONAWANDA, NEW YORK  
U.S.A.  
14120-6594  
+716 693 8813

**BIRMINGHAM**

HEYWOOD WHARF, MUCKLOW HILL  
HALESOWEN, WEST MIDLANDS  
UNITED KINGDOM  
B62 8DJ  
+44 (0) 8444 145 145

**MANCHESTER**

WOLVERTON STREET  
MANCHESTER  
UNITED KINGDOM  
M11 2ET  
+44 (0) 8444 145 145

**BANGALORE**

#59, FIRST FLOOR, 3RD MAIN  
MARGOSA ROAD, MALLESWARAM  
BANGALORE, INDIA  
560 003  
+91 (0) 80 4906 3555

**SHANGHAI**

NO. 1619 HU HANG ROAD, XI DU TOWNSHIP  
FENG XIAN DISTRICT, SHANGHAI  
P.R.C.  
201401  
+86 21 3756 6696

**MAKING  
ENERGY  
MAKE  
SENSE™**