



SERIES 4302
6 x 6 x 6
dualArm

FILE NO.:	43dL.515
DATE:	May 30, 2000
SUPERSEDES:	NEW
DATE:	NEW

SUBMITTAL

Job: _____	Representative: _____
_____	Order No: _____ Date: _____
Engineer: _____	Submitted By: _____ Date: _____
Contractor: _____	Approved By: _____ Date: _____

PUMP DESIGN DATA			
No. of Pumps:			
Tag:			
Capacity:	m ³ /h (l/s) USgpm	Head:	m (ft)
Liquid:	WATER	Viscosity:	1.0 cps
Temperature:	16°C (60°F)	Specific Gravity:	1.0

MOTOR DESIGN DATA		
HP:	RPM:	
Frame Size:	Enclosure:	
Volts:	Hertz: 50 Hz	Phase:
Efficiency:	<input type="checkbox"/> Standard	<input type="checkbox"/> Premium
	<input type="checkbox"/> Level %	

MATERIALS OF CONSTRUCTION					
ANSI Flange Rating	<input type="checkbox"/> 125 lb. Cast Iron			<input type="checkbox"/> 250 lb. Ductile Iron	
Construction	<input type="checkbox"/> Bronze Fitted	<input type="checkbox"/> All Iron	<input type="checkbox"/> All Bronze	<input type="checkbox"/> Bronze Fitted	<input type="checkbox"/> Ductile Iron
Casing	Cast Iron	Cast Iron	Bronze	Ductile Iron	Ductile Iron
Impeller	Bronze	Cast Iron	Bronze	Bronze	Cast Iron
Flush Line	Copper	Steel	Copper	Copper	Steel
Pump Shaft	416 Stainless Steel				
Coupling	High Tensile Aluminum				
Gasket	Confined Non-Asbestos				
Valve (s)	Stainless Steel				

FLANGE SIZE	
Suction: 6"	Discharge: 6"

MECHANICAL SEAL DESIGN DATA
See File No.43.50 for standard mechanical seal details as indicated below
Armstrong Seal Reference Number
C 1(a)

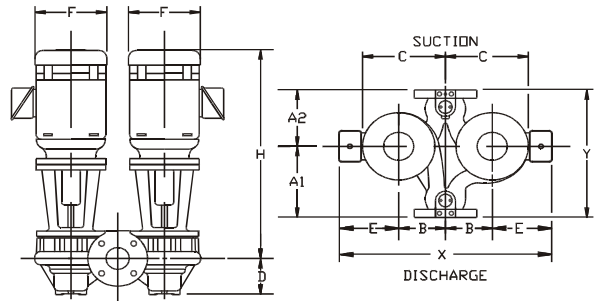
MAXIMUM PUMP OPERATING CONDITIONS	
125 lb. Cast Iron	250 lb. Ductile Iron
12 bars at 60 °C (175 psig at 140°F)	26 bars at 38 °C (375 psig at 100°F)
7 bars at 149°C (100 psig at 300°F)	19 bars at 260°C (210 psig at 250°F)

SEAL DATA OPTIONS

OPTIONAL EQUIPMENT

- Tolerance of ±3 mm (±0.125") should be used on dimensions shown below.
- For exact installation data please contact factory for certified dimensions.
- See page 2 for performance curves.
- Pump equipped with casing drain plug and 1/4" NPT suction and discharge gauge ports.

PUMP DIMENSIONS mm (inches)					
A1	A2	B	C	D	Y
427 (16.81)	424 (16.69)	187 (7.38)	365 (14.38)	197 (7.75)	851 (33.50)



MOTOR HORSEPOWER				MAXIMUM DIMENSIONS mm (inches)					* ASSEMBLY WEIGHT	
ODP		TEFC		Frame	ODP / TEFC				kg (lbs)	
3000	1500	3000	1500		E	F	H	X	ODP	TEFC
---	1	---	1	143TC	143 (5.63)	203 (8.00)	562 (22.13)	660 (26.00)	195.2 (430)	195.2 (430)
---	1.5 & 2	---	1.5 & 2	145TC	143 (5.63)	203 (8.00)	562 (22.13)	660 (26.00)	195.2 (430)	195.2 (430)
5	---	---	---	182TC	162 (6.38)	241 (9.50)	676 (26.63)	699 (27.50)	208.8 (460)	---
7.5	---	5	---	184TC	162 (6.38)	241 (9.50)	676 (26.63)	699 (27.50)	217.9 (480)	227.0 (500)
10	---	7.5	---	213TC	194 (7.63)	283 (11.13)	724 (28.50)	762 (30.00)	245.2 (540)	258.8 (570)
15	---	10	---	215TC	194 (7.63)	283 (11.13)	762 (30.00)	762 (30.00)	254.2 (560)	272.4 (600)
---	---	15	---	254TC	238 (9.38)	356 (14.00)	842 (33.13)	851 (33.50)	---	336.0 (740)

* Assembly weight combines pump and motor