

SERIES 4302 | VERTICAL IN-LINE DUALARM SPLIT-COUPLED | 4 × 4 × 10 | SUBMITTAL

File No: 43D.525
Date: DECEMBER 4, 2014
Supersedes: 43D.525
Date: SEPTEMBER 10, 2012

Job: _____ Representative: _____
 _____ Order no.: _____ Date: _____
 Engineer: _____ Submitted by: _____ Date: _____
 Contractor: _____ Approved by: _____ Date: _____

PUMP DESIGN DATA

No. of pumps: _____ Tag: _____
 Capacity: _____ USgpm (L/s) Head: _____ ft (m)
 Liquid: _____ Viscosity: _____
 Temperature: _____ °F (°C) Specific gravity: _____
 Suction: 4" (100mm) Discharge: 4" (100mm)

MOTOR DESIGN DATA

HP: _____ RPM: _____ Frame size: _____ Enclosure: _____
 Volts: _____ Hertz: 60 Hz Phase: 3
 Efficiency: NEMA premium 12.12 Other _____ %

MATERIALS OF CONSTRUCTION

ANSI FLANGE RATING	ANSI 125	ANSI 250
Construction	<input type="checkbox"/> BF	<input type="checkbox"/> DBF
Casing	Cast iron	Ductile iron
Adapter	Cast iron	Ductile iron

Impeller: Bronze

Gasket: Confined non-asbestos fiber

Shaft: 416 stainless steel

Coupling: High tensile aluminum

Flush line: Braided stainless steel

MAXIMUM PUMP OPERATING CONDITIONS

ANSI 125

175 psig at 150°F (12 bars at 65°C)
 140 psig at 250°F (10 bars at 121°C)

ANSI 250

250 psig at 150°F (17 bars at 65°C)
 250 psig at 250°F (17 bars at 121°C)

- Coupling guard (not shown) is supplied
- See performance curves on page 3
- For exact installation, data please write factory for certified dimensions

MECHANICAL SEAL DATA

See file no. 43.50 for standard mechanical seal details as indicated below.

ARMSTRONG SEAL REFERENCE NUMBER:

c1 (a) Other: _____

OPTIONAL EQUIPMENT

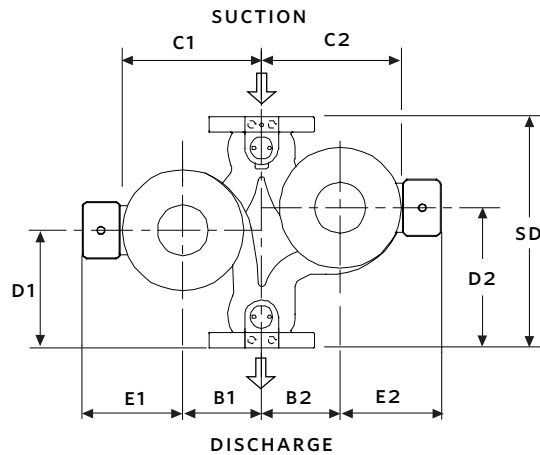
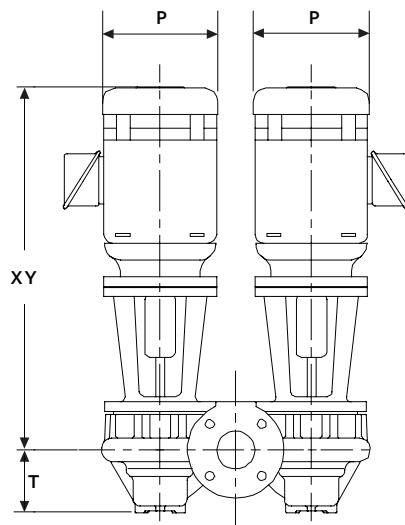
SEAL DATA OPTIONS

MOTOR FRAME	HP @ RPM			MAX. DIMENSIONS inches (mm)								WEIGHT		
	3600		1800	1200	E1		E2		P		XY		lbs (kgs)	
	ODP	TEFC			ODP	TEFC	ODP	TEFC	ODP	TEFC	ODP	TEFC	ODP	TEFC
182TC	—	—	—	1.5	6.84 (174)	7.50 (191)	6.84 (174)	7.50 (191)	10.38 (264)	9.56 (243)	26.85 (682)	26.73 (679)	666 (302.1)	682 (309.4)
184TC	—	—	5	—	6.84 (174)	7.50 (191)	6.84 (174)	7.50 (191)	10.38 (264)	9.56 (243)	26.85 (682)	26.73 (679)	730 (331.1)	786 (356.5)
184TC	—	—	—	2	6.84 (174)	7.50 (191)	6.84 (174)	7.50 (191)	10.38 (264)	9.56 (243)	26.85 (682)	26.73 (679)	702 (318.4)	756 (342.9)
213TC	—	—	—	3	7.59 (193)	8.25 (210)	7.59 (193)	8.25 (210)	12.13 (308)	11.25 (286)	28.35 (720)	29.47 (749)	716 (324.8)	842 (381.9)
213TC	—	—	7.5	—	7.59 (193)	8.25 (210)	7.59 (193)	8.25 (210)	12.13 (308)	11.25 (286)	28.35 (720)	29.47 (749)	800 (362.9)	900 (408.2)
215TC	—	—	10	—	7.59 (193)	8.25 (210)	7.59 (193)	8.25 (210)	12.13 (308)	11.25 (286)	28.35 (720)	29.47 (749)	830 (376.5)	914 (414.6)
286TSC	40	—	—	—	11.75 (298)	12.00 (305)	11.75 (298)	12.00 (305)	13.38 (340)	15.31 (389)	37.54 (954)	43.67 (1109)	1544 (700.3)	—
286TSC	—	40	—	—	11.75 (298)	12.00 (305)	11.75 (298)	12.00 (305)	13.38 (340)	15.31 (389)	37.54 (954)	43.67 (1109)	—	1752 (794.7)
324TSC	50	—	—	—	12.69 (322)	13.91 (353)	12.69 (322)	13.91 (353)	14.13 (359)	17.00 (432)	38.79 (985)	44.61 (1133)	1750 (793.8)	—
324TSC	—	50	—	—	12.69 (322)	13.91 (353)	12.69 (322)	13.91 (353)	14.13 (359)	17.00 (432)	38.79 (985)	44.61 (1133)	—	1844 (836.4)
326TSC	60	—	—	—	12.69 (322)	13.91 (353)	12.69 (322)	13.91 (353)	14.13 (359)	17.00 (432)	38.79 (985)	44.61 (1133)	1898 (860.9)	—
326TSC	—	60	—	—	12.69 (322)	13.91 (353)	12.69 (322)	13.91 (353)	14.13 (359)	17.00 (432)	38.79 (985)	44.61 (1133)	—	2614 (1185.7)
364TSC	75	—	—	—	16.19 (411)	16.44 (418)	16.19 (411)	16.44 (418)	17.68 (449)	19.03 (483)	40.23 (1022)	42.92 (1090)	2280 (1034.2)	—
364TSC	—	75	—	—	16.19 (411)	16.44 (418)	16.19 (411)	16.44 (418)	17.68 (449)	19.03 (483)	40.23 (1022)	42.92 (1090)	—	2720 (1233.8)
365TSC	100	—	—	—	16.19 (411)	16.44 (418)	16.19 (411)	16.44 (418)	17.68 (449)	19.03 (483)	40.23 (1022)	42.92 (1090)	2488 (1128.5)	—
365TSC	—	100	—	—	16.19 (411)	16.44 (418)	16.19 (411)	16.44 (418)	17.68 (449)	19.03 (483)	40.23 (1022)	42.92 (1090)	—	3064 (1389.8)

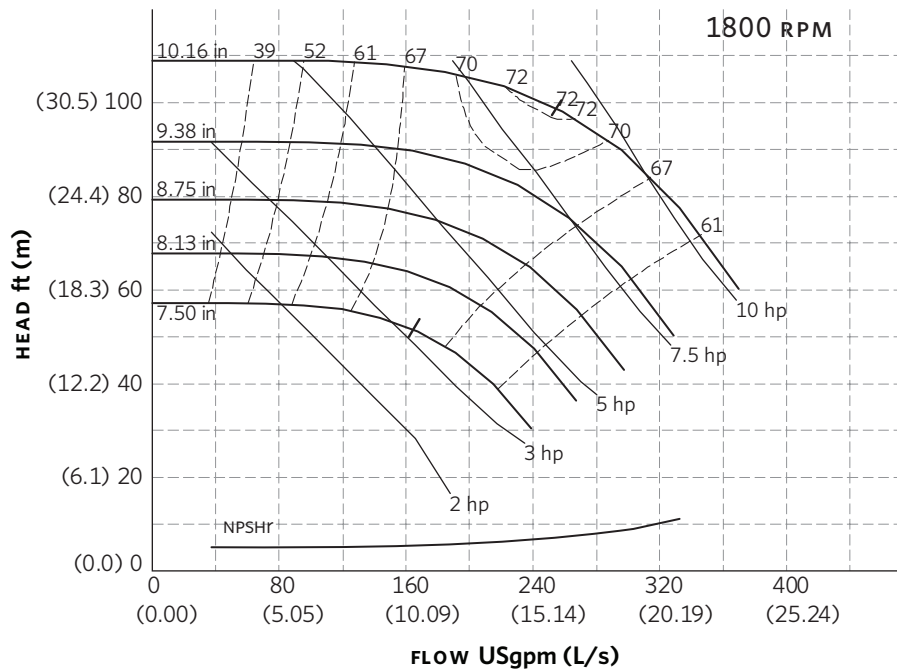
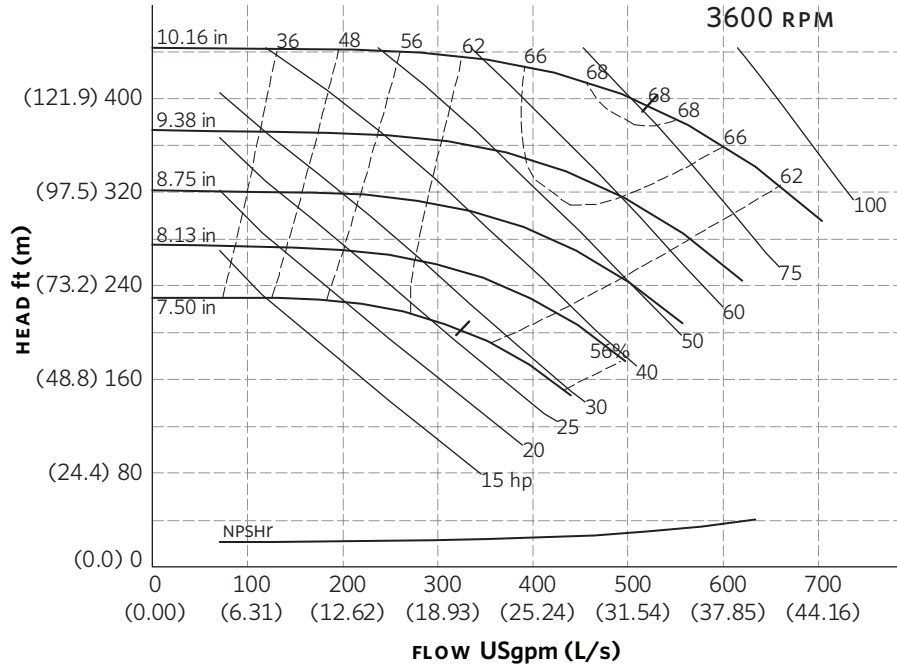
PUMP DIMENSIONS

inches (mm)

B1	B2	C1	C2	D1	D2	SD	T
9.50	9.50	16.45	16.56	12.50	16.50	30.00	6.47
(241)	(241)	(418)	(421)	(318)	(419)	(762)	(164)



SERIES 4302 PERFORMANCE CURVES



Performance curves are for reference only.
Confirm current performance data with Armstrong ACE ONLINE selection software.

TORONTO

23 BERTRAND AVENUE
TORONTO, ONTARIO
CANADA
M1L 2P3
+1 416 755 2291

BUFFALO

93 EAST AVENUE
NORTH TONAWANDA, NEW YORK
U.S.A.
14120-6594
+1 716 693 8813

BIRMINGHAM

HEYWOOD WHARF, MUCKLOW HILL
HALESOWEN, WEST MIDLANDS
UNITED KINGDOM
B62 8DJ
+44 (0) 8444 145 145

MANCHESTER

WOLVERTON STREET
MANCHESTER
UNITED KINGDOM
M11 2ET
+44 (0) 8444 145 145

BANGALORE

#59, FIRST FLOOR, 3RD MAIN
MARGOSA ROAD, MALLESWARAM
BANGALORE, INDIA
560 003
+91 (0) 80 4906 3555

SHANGHAI

NO. 1619 HU HANG ROAD, XI DU TOWNSHIP
FENG XIAN DISTRICT, SHANGHAI
P.R.C.
201401
+86 21 3756 6696

**MAKING
ENERGY
MAKE
SENSE™**