

SERIES 4302 | VERTICAL IN-LINE DUALARM SPLIT-COUPLED | 8 × 8 × 8 | SUBMITTAL

File No: 43D.520
Date: DECEMBER 4, 2014
Supersedes: 43D.520
Date: SEPTEMBER 10, 2012

Job: _____ Representative: _____
 _____ Order no.: _____ Date: _____
 Engineer: _____ Submitted by: _____ Date: _____
 Contractor: _____ Approved by: _____ Date: _____

PUMP DESIGN DATA

No. of pumps: _____ Tag: _____
 Capacity: _____ USgpm (L/s) Head: _____ ft (m)
 Liquid: _____ Viscosity: _____
 Temperature: _____ °F (°C) Specific gravity: _____
 Suction: 8" (200mm) Discharge: 8" (200mm)

MOTOR DESIGN DATA

HP: _____ RPM: _____ Frame size: _____ Enclosure: _____
 Volts: _____ Hertz: 60 Hz Phase: 3
 Efficiency: NEMA premium 12.12 Other _____ %

MATERIALS OF CONSTRUCTION

ANSI FLANGE RATING	ANSI 125	ANSI 250
Construction	<input type="checkbox"/> BF	<input type="checkbox"/> DBF
Casing	Cast iron	Ductile iron
Adapter	Cast iron	Ductile iron

Impeller: Bronze

Gasket: Confined non-asbestos fiber

Shaft: 416 stainless steel

Coupling: High tensile aluminum

Flush line: Braided stainless steel

MAXIMUM PUMP OPERATING CONDITIONS

ANSI 125

175 psig at 150°F (12 bars at 65°C)
 140 psig at 250°F (10 bars at 121°C)

ANSI 250

250 psig at 150°F (17 bars at 65°C)
 250 psig at 250°F (17 bars at 121°C)

- Coupling guard (not shown) is supplied
- See performance curves on page 3
- For exact installation, data please write factory for certified dimensions

MECHANICAL SEAL DATA

See file no. 43.50 for standard mechanical seal details as indicated below.

ARMSTRONG SEAL REFERENCE NUMBER:

c1 (a) Other: _____

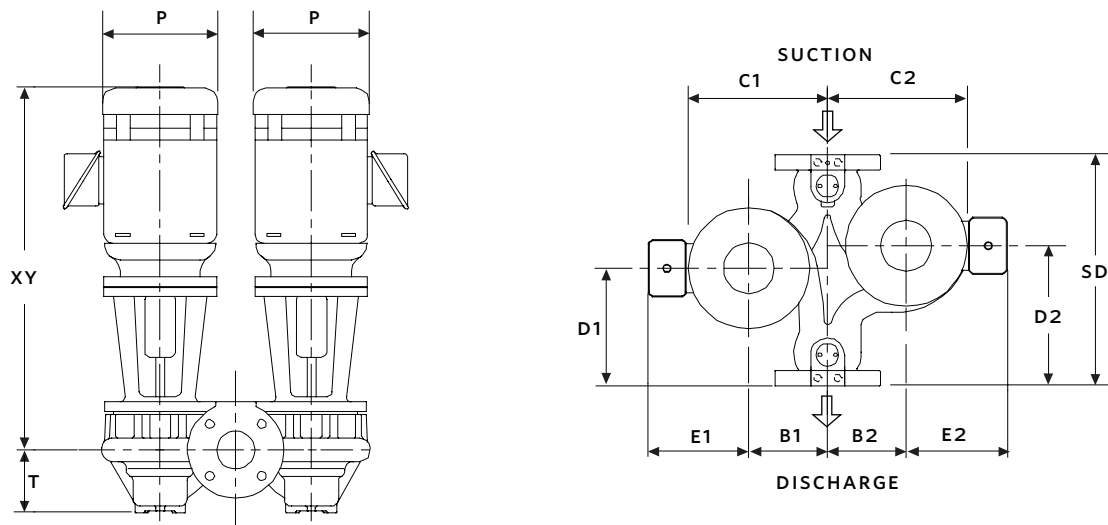
OPTIONAL EQUIPMENT

SEAL DATA OPTIONS

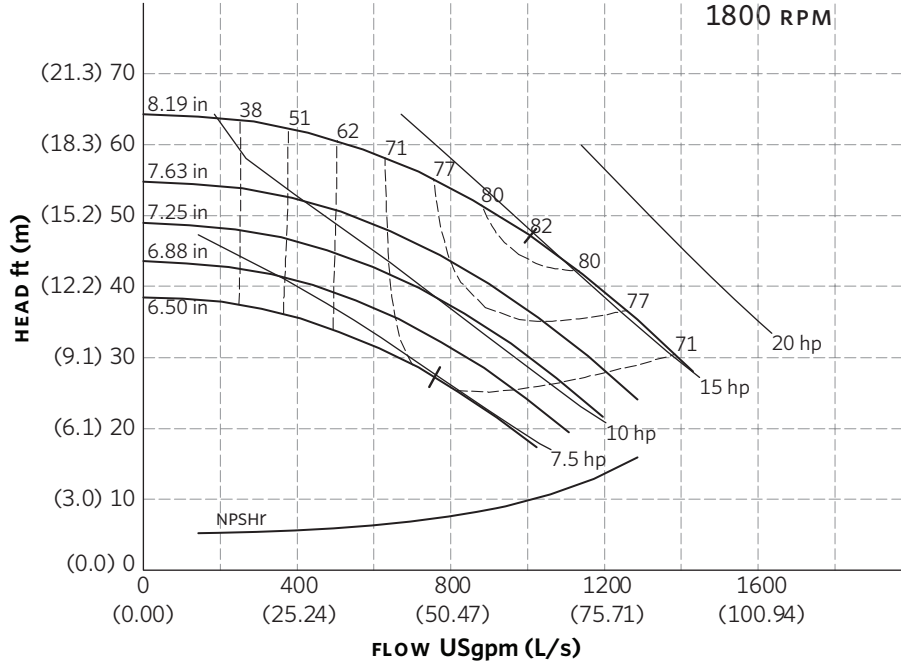
MOTOR	HP @ RPM		MAX. DIMENSIONS inches (mm)								WEIGHT	
	1800	1200	E1		E2		P		XY		lbs (kgs)	
			ODP	TEFC	ODP	TEFC	ODP	TEFC	ODP	TEFC	ODP	TEFC
213TC	—	3	7.59 (193)	8.25 (210)	7.59 (193)	8.25 (210)	12.13 (308)	11.25 (286)	28.63 (727)	29.75 (756)	646 (293.0)	—
213TC	—	/3	7.59 (193)	8.25 (210)	7.59 (193)	8.25 (210)	12.13 (308)	11.25 (286)	28.63 (727)	29.75 (756)	—	772 (350.2)
213TC	7.5	—	7.59 (193)	8.25 (210)	7.59 (193)	8.25 (210)	12.13 (308)	11.25 (286)	28.63 (727)	29.75 (756)	730 (331.1)	830 (376.5)
215TC	—	5	7.59 (193)	8.25 (210)	7.59 (193)	8.25 (210)	12.13 (308)	11.25 (286)	28.63 (727)	29.75 (756)	718 (325.7)	—
215TC	—	/5	7.59 (193)	8.25 (210)	7.59 (193)	8.25 (210)	12.13 (308)	11.25 (286)	28.63 (727)	29.75 (756)	—	850 (385.6)
215TC	10.0	—	7.59 (193)	8.25 (210)	7.59 (193)	8.25 (210)	12.13 (308)	11.25 (286)	28.63 (727)	29.75 (756)	770 (349.3)	846 (383.7)
254TC	15	—	9.94 (252)	8.90 (226)	9.94 (252)	8.90 (226)	13.38 (340)	13.38 (340)	34.63 (880)	34.69 (881)	780 (353.8)	1060 (480.8)
256TC	20.0	—	9.94 (252)	8.90 (226)	9.94 (252)	8.90 (226)	13.38 (340)	13.38 (340)	34.63 (880)	34.69 (881)	930 (421.8)	1126 (510.7)

PUMP DIMENSIONS
inches (mm)

B1	B2	C1	C2	D1	D2	SD	T
10.00	9.00	18.50	18.60	18.50	23.00	45.50	9.46
(254)	(229)	(470)	(472)	(470)	(584)	(1156)	(240)



SERIES 4302 PERFORMANCE CURVES



Curve number
PT107-2-0-1800

Series
4302
4382

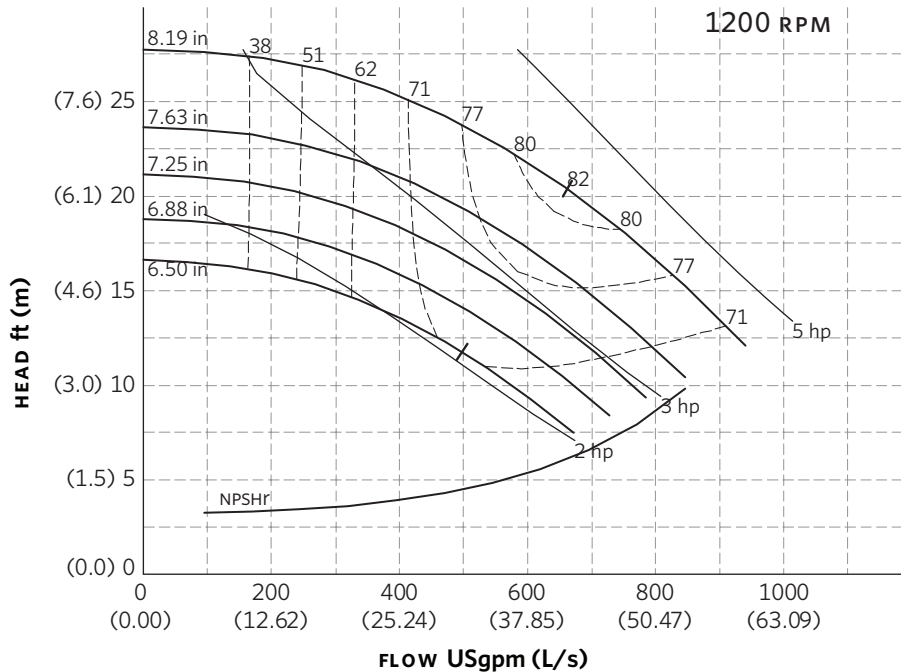
Size
8 × 8 × 8

RPM
1800

BHP based on shown
Fluid's sp. gr.

Availability
4302 all ratings
4382 all ratings

Performance
guaranteed only
at operating point
indicated.
Curve shown for
clear, cold water
- SP. GR. 1.0000



Curve number
PT107-2-0-1200

Series
4302
4382

Size
8 × 8 × 8

RPM
1200

BHP based on shown
Fluid's sp. gr.

Availability
4302 all ratings
4382 all ratings

Performance
guaranteed only
at operating point
indicated.
Curve shown for
clear, cold water
- SP. GR. 1.0000

Performance curves are for reference only.
Confirm current performance data with Armstrong ACE ONLINE selection software.

TORONTO

23 BERTRAND AVENUE
TORONTO, ONTARIO
CANADA
M1L 2P3
+1 416 755 2291

BUFFALO

93 EAST AVENUE
NORTH TONAWANDA, NEW YORK
U.S.A.
14120-6594
+1 716 693 8813

BIRMINGHAM

HEYWOOD WHARF, MUCKLOW HILL
HALESOWEN, WEST MIDLANDS
UNITED KINGDOM
B62 8DJ
+44 (0) 8444 145 145

MANCHESTER

WOLVERTON STREET
MANCHESTER
UNITED KINGDOM
M11 2ET
+44 (0) 8444 145 145

BANGALORE

#59, FIRST FLOOR, 3RD MAIN
MARGOSA ROAD, MALLESWARAM
BANGALORE, INDIA
560 003
+91 (0) 80 4906 3555

SHANGHAI

NO. 1619 HU HANG ROAD, XI DU TOWNSHIP
FENG XIAN DISTRICT, SHANGHAI
P.R.C.
201401
+86 21 3756 6696

**MAKING
ENERGY
MAKE
SENSE™**