

SERIES 4300 | VERTICAL IN-LINE |

2.5×2.5×7.5 | SUBMITTAL

File No: 43-573
 Date: FEBRUARY 12, 2024
 Supersedes: NEW
 Date: NEW

Job: _____ Representative: _____
 _____ Ordered by: _____ Date: _____
 Engineer: _____ Submitted by: _____ Date: _____
 Contractor: _____ Approved by: _____ Date: _____

PUMP DESIGN DATA

No. of pumps: _____ Tag: _____
 Capacity: _____ USgpm (L/s) Head: _____ ft (m)
 Liquid: _____ Viscosity: _____
 Temperature: _____ °F (°C) Specific gravity: _____
 Suction: 2.5" (65 mm) Discharge: 2.5" (65 mm)

MOTOR DESIGN DATA

HP: _____ RPM: _____
 Frame size: _____ Enclosure: _____
 Volts: _____ Hertz: 60 Hz
 Efficiency: NEMA premium 12.12 Other: _____ %
 Flange size: _____ Phase: _____

MAXIMUM PUMP OPERATING CONDITIONS

ANSI 125

175 psig at 140°F (12 bars at 60°C)
 100 psig at 300°F (7 bars at 149°C)

ANSI 250

375 psig at 100°F (26 bars at 38°C)
 275 psig at 300°F (19 bars at 149°C)

- See file no. 43.50 for maximum seal operating conditions.
- Coupling guard (not shown) is supplied.
- Tolerance of ±0.125" (±3 mm) should be used
- For exact installation data please write factory for certified dimensions.
- See performance curves on page 3
- Pump equipped with casing drain plug and ¼" NPT suction and discharge gauge ports.

MECHANICAL SEAL DESIGN DATA

See file number 43.50 for standard mechanical seal details as indicated below

ARMSTRONG SEAL REFERENCE NUMBER:

c1 (a) Others: _____

SEAL DATA OPTIONS

OPTIONAL EQUIPMENT

See file no. 43.50 for environmental accessories

MATERIALS OF CONSTRUCTION

ANSI FLANGE RATING	ANSI 125		ANSI 250	
Construction	<input type="checkbox"/> SF	<input type="checkbox"/> DF	<input type="checkbox"/> DSF	<input type="checkbox"/> DDF
Casing	E-coated Cast iron	E-coated Cast iron	E-coated Ductile iron	E-coated Ductile iron
Impeller	316 stainless steel	Duplex stainless steel fitted	316 stainless steel	Duplex stainless steel fitted

Flush line: Braided stainless steel

Pump shaft: 316 stainless steel

Coupling: High tensile aluminum

Gasket: Confined fiber

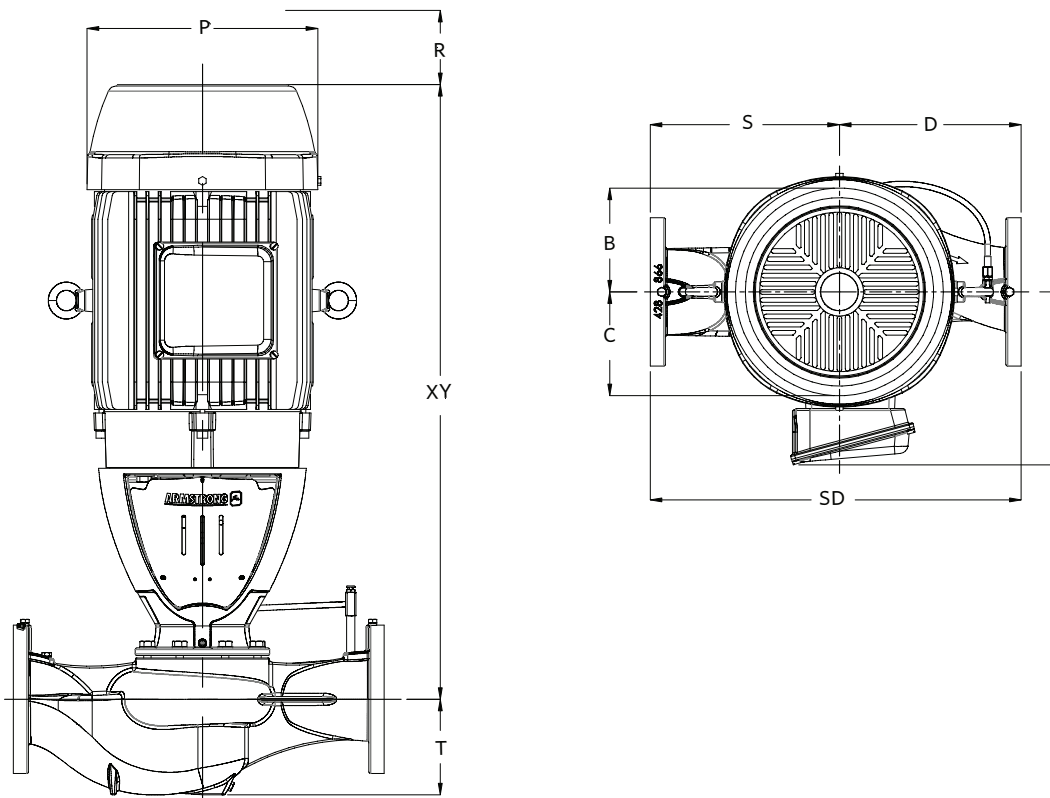
4300	FRAME	HORSEPOWER @ RPM				DIMENSIONS INCHES (mm)				WEIGHT* lbs (kgs)	
		ODP		TEFC		ODP/ TEFC				ODP	TEFC
		3600	1800	3600	1800	E	P	R	XY		
2.5x2.5x7.5	215TC	15	—	—	—	8.62 (219)	10.90 (277)	1.85 (47)	27.57 (700)	346 (157.0)	—
	254TC	20	—	15	—	10.24 (260)	12.95 (329)	1.85 (47)	35.00 (889)	392 (177.9)	419 (190.1)
	256TC	25	—	20	—	10.24 (260)	12.95 (329)	2.24 (57)	35.00 (889)	407 (184.7)	530 (240.5)
	284TSC	30	—	25	—	10.80 (274)	12.95 (329)	2.24 (57)	40.00 (1016)	666 (302.2)	691 (313.5)
	286TSC	—	—	30	—	10.80 (274)	14.17 (360)	2.24 (57)	40.00 (1016)	—	715 (324.4)

*Assembly weight combines pump and motor.

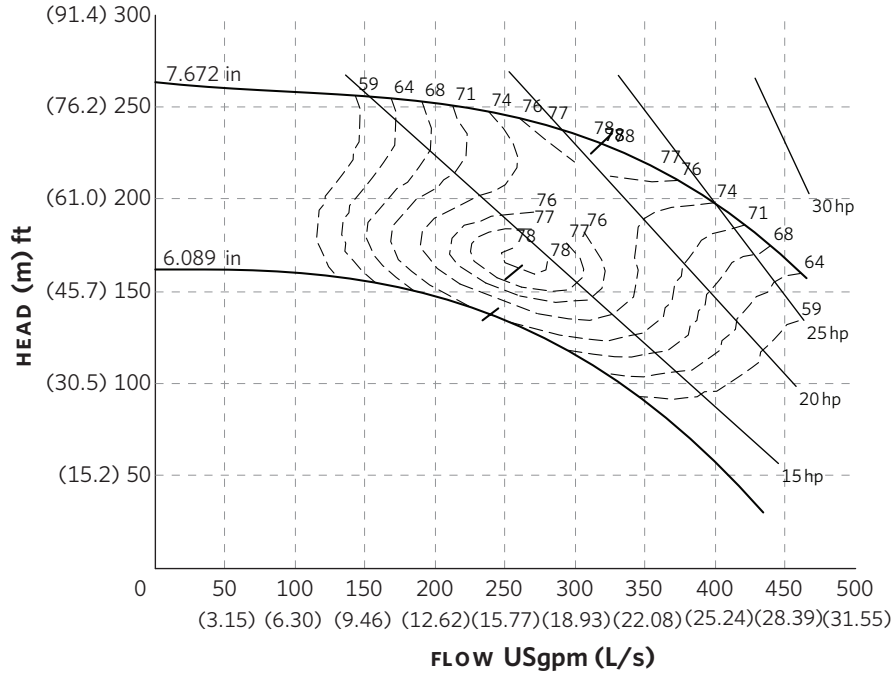
PUMP DIMENSIONS

inches (mm)

B	C	D	S	SD	T
5.75 (146)	5.75 (146)	9.00 (229)	9.00 (229)	18.00 (457)	5.10 (130)



SERIES 4300 PERFORMANCE CURVES



Curve number

PT-783-0-0

Series

4300

Size

2.5x2.5x7.5

RPM

3580

BHP based on shown
Fluid's sp. gr.

Availability

4300 all ratings

Performance
guaranteed only
at operating point
indicated

Curve shown for
clear, cold water
- SP. GR. 1.000

Performance curves are for reference only.

Confirm current performance data with Armstrong ADEPT selection software.

TORONTO

23 BERTRAND AVENUE,
TORONTO, ONTARIO,
CANADA, M1L 2P3
+1 416 755 2291

BUFFALO

93 EAST AVENUE, NORTH
TONAWANDA, NEW YORK,
USA, 14120-6594
+1 716 693 8813

DROITWICH SPA

POINTON WAY, STONEBRIDGE CROSS
BUSINESS PARK, DROITWICH SPA,
WORCESTERSHIRE,
UNITED KINGDOM, WR9 0LW
+44 121 550 5333

MANCHESTER

WOLVERTON STREET, MANCHESTER
UNITED KINGDOM, M11 2ET
+44 161 223 2223

BANGALORE

#18, LEWIS WORKSPACE, 3RD FLOOR,
OFF MILLERS - NANDIDURGA ROAD,
JAYAMAHAL CBD, BENSON TOWN,
BANGALORE, INDIA 560 046
+91 80 4906 3555

SHANGHAI

UNIT 903, 888 NORTH SICHUAN RD.
HONGKOU DISTRICT, SHANGHAI
CHINA, 200085
+86 21 5237 0909

BEIJING

ROOM 1612, NANYIN BUILDING NO.2
NORTH EAST THRID RING ROAD
CHAOYANG DISTRICT, BEIJING,
CHINA 100027
+86 21 5237 0909

SÃO PAULO

RUA JOSÉ SEMIÃO RODRIGUES
AGOSTINHO, 1370 GALPÃO 6 EMBU
DAS ARTES, SAO PAULO, BRAZIL
+55 11 4785 1330

LYON

93 RUE DE LA VILLETTE
LYON, 69003 FRANCE
+33 4 26 83 78 74

DUBAI

JAFZA VIEW 19, OFFICE 402
P.O. BOX 18226 JAFZA,
DUBAI - UNITED ARAB EMIRATES
+971 4 887 6775

JIMBOLIA

STR CALEA MOTILOR NR. 2C
JIMBOLIA 305400, JUD.TIMIS
ROMANIA
+40 256 360 030

FRANKFURT

WESTERBACHSTRASSE 32,
D-61476 KRONBERG IM TAUNUS
GERMANY
+49 6173 999 77 55

ARMSTRONG FLUID TECHNOLOGY®
ESTABLISHED 1934

ARMSTRONGFLUIDTECHNOLOGY.COM