

SERIES 4300 | VERTICAL IN-LINE

8×8×13 | SUBMITTAL

File No: 43-547
 Date: JAN. 27, 2015
 Supersedes: 43-547
 Date: NOV. 26, 2014

Job: _____ Representative: _____
 _____ Ordered by: _____ Date: _____
 Engineer: _____ Submitted by: _____ Date: _____
 Contractor: _____ Approved by: _____ Date: _____

PUMP DESIGN DATA

No. of pumps: _____ Tag: _____
 Capacity: _____ USgpm (L/s) Head: _____ ft (m)
 Liquid: _____ Viscosity: _____
 Temperature: _____ °F (°C) Specific gravity: _____
 Suction: 8" (200 MM) Discharge: 8" (200 MM)

MAXIMUM PUMP OPERATING CONDITIONS

ANSI 125

175 psig at 140°F (12 bars at 60°C)
 100 psig at 300°F (7 bars at 149°C)

ANSI 250

375 psig at 100°F (26 bars at 38°C)
 275 psig at 300°F (19 bars at 149°C)

- See file no. 43.50 for maximum seal operating conditions.
- Coupling guard (not shown) is supplied.
- Tolerance of ±0.125" (±3 mm) should be used
- For exact installation data please write factory for certified dimensions.
- See performance curves on page 3
- Pump equipped with casing drain plug and ¼" NPT suction and discharge gauge ports.

MATERIALS OF CONSTRUCTION

ANSI FLANGE RATING	ANSI 125			ANSI 250	
Construction	<input type="checkbox"/> BF	<input type="checkbox"/> AI	<input type="checkbox"/> AB	<input type="checkbox"/> DBF	<input type="checkbox"/> DI
Casing	Cast iron	Cast iron	Bronze	Ductile iron	Ductile iron
Impeller	Bronze	Cast iron	Bronze	Bronze	Cast iron

Flush line: Braided stainless steel

Pump shaft: 416 stainless steel

Coupling: High tensile aluminum

Gasket: Confined fiber

MOTOR DESIGN DATA

HP: _____ RPM: _____
 Frame size: _____ Enclosure: _____
 Volts: _____ Hertz: 60 Hz
 Efficiency: NEMA premium 12.12 Other: _____ %
 Flange size: _____ Phase: _____

MECHANICAL SEAL DESIGN DATA

See file number 43.50 for standard mechanical seal details as indicated below

ARMSTRONG SEAL REFERENCE NUMBER:

c1 (a) Others: _____

SEAL DATA OPTIONS

OPTIONAL EQUIPMENT

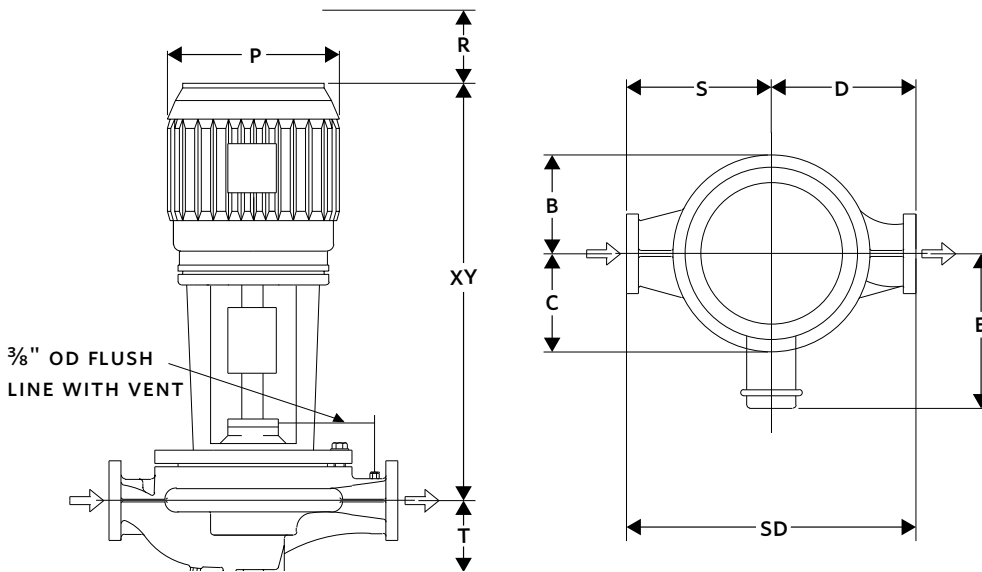
See file no. 43.50 for environmental accessories

MOTOR FRAME	HORSEPOWER @ RPM				DIMENSIONS INCHES (mm)				WEIGHT*	
	ODP		TEFC		ODP/ TEFC				lbs (kgs)	
	1800	1200	1800	1200	E	P	R	XY	ODP	TEFC
254TC	—	7.5	—	7.5	9.94 (252)	13.38 (340)	5.00 (110)	37.00 (940)	895 (406.0)	922 (418.2)
256TC	—	10	—	10	9.94 (252)	13.38 (340)	5.00 (110)	37.00 (940)	916 (415.5)	956 (433.6)
284TC	—	15	—	15	12.00 (305)	15.31 (389)	5.00 (130)	43.81 (1113)	1050 (476.3)	1010 (458.1)
286TC	30	20	30	20	12.00 (305)	15.31 (389)	6.00 (130)	43.81 (1113)	1080 (489.9)	1175 (533.0)
324TC	40	—	40	—	13.91 (353)	17.00 (432)	6.00 (150)	45.38 (1153)	1225 (555.7)	1290 (585.1)
326TC	50	—	50	—	13.91 (353)	17.00 (432)	6.00 (150)	45.38 (1153)	1245 (564.7)	1528 (693.1)
364TC	60	—	60	—	16.44 (418)	19.03 (483)	7.00 (160)	43.56 (1106)	1510 (684.9)	1588 (720.3)
365TC	75	—	75	—	16.44 (418)	19.03 (483)	7.00 (160)	43.56 (1106)	1320 (598.7)	1697 (769.7)

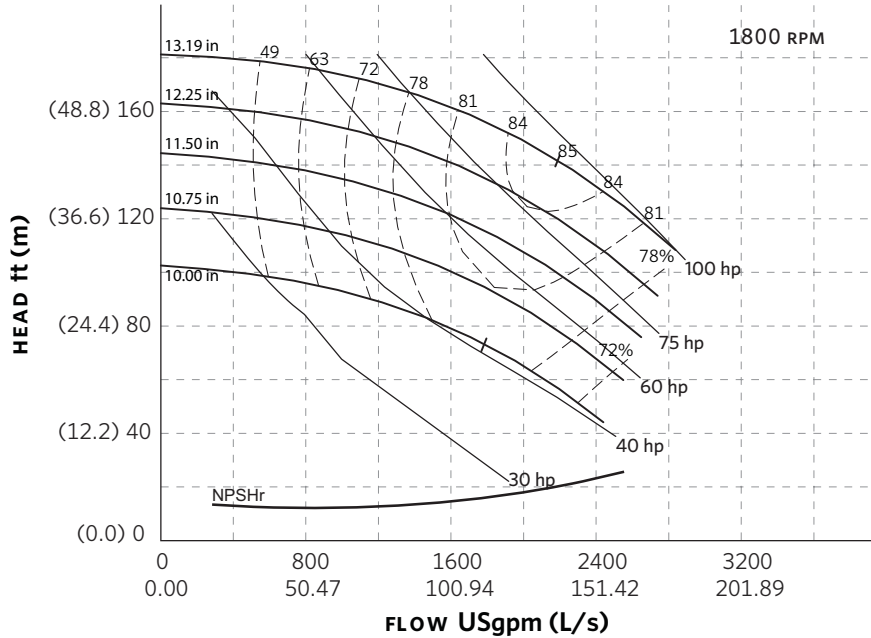
*Assembly weight combines pump and motor.

PUMP DIMENSIONS
inches (mm)

B	C	D	S	SD	T
12.00 (305)	9.75 (248)	19.00 (483)	23.00 (584)	42.00 (1067)	9.94 (252)



SERIES 4300 PERFORMANCE CURVES



Curve number
PT664-0-0-1800

Series
4300
4380

Size
8 × 8 × 13

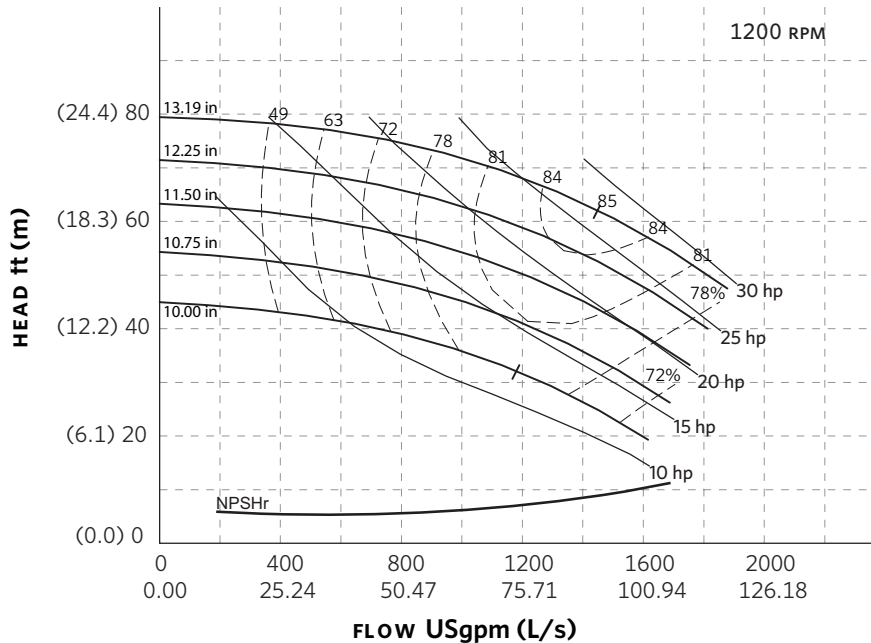
RPM
1800

BHP based on shown
Fluid's sp. gr.

Availability
4300 all ratings
4380 FR 326 Max.

Performance
guaranteed only
at operating point
indicated

Curve shown for
clear, cold water
- SP. GR. 1.000



Curve number
PT664-0-0-1200

Series
4300
4380

Size
8 × 8 × 13

RPM
1200

BHP based on shown
Fluid's sp. gr.

Availability
4300 all ratings
4380 all ratings

Performance
guaranteed only
at operating point
indicated

Curve shown for
clear, cold water
- SP. GR. 1.000

Performance curves are for reference only.

Confirm current performance data with Armstrong ACE Online selection software.

TORONTO

23 BERTRAND AVENUE
TORONTO, ONTARIO
CANADA
M1L 2P3
+1 416 755 2291

BUFFALO

93 EAST AVENUE
NORTH TONAWANDA, NEW YORK
U.S.A.
14120-6594
+1 716 693 8813

BIRMINGHAM

HEYWOOD WHARF, MUCKLOW HILL
HALESOWEN, WEST MIDLANDS
UNITED KINGDOM
B62 8DJ
+44 (0) 8444 145 145

MANCHESTER

WOLVERTON STREET
MANCHESTER
UNITED KINGDOM
M11 2ET
+44 (0) 8444 145 145

BANGALORE

#59, FIRST FLOOR, 3RD MAIN
MARGOSA ROAD, MALLESWARAM
BANGALORE, INDIA
560 003
+91 (0) 80 4906 3555

SHANGHAI

NO. 1619 HU HANG ROAD, XI DU TOWNSHIP
FENG XIAN DISTRICT, SHANGHAI
P.R.C.
201401
+86 21 3756 6696

**MAKING
ENERGY
MAKE
SENSE™**