

SERIES 4300 | VERTICAL IN-LINE 50Hz (IEC/DIN) | 200-330 | SUBMITTAL

File No: 43.545UK
Date: JAN. 27 2015
Supersedes: NEW
Date: NEW

Job: _____ Representative: _____
 _____ Ordered by: _____ Date: _____
 Engineer: _____ Submitted by: _____ Date: _____
 Contractor: _____ Approved by: _____ Date: _____

PUMP DESIGN DATA

No. of pumps: _____ Tag: _____
 Capacity: _____ m³/h (L/s) Head: _____ m (ft)
 Liquid: _____ Viscosity: _____
 Temperature: _____ °C (°F) Specific gravity: _____
 Suction: 200 mm (8") Discharge: 200 mm (8")

MOTOR DESIGN DATA

kW: _____ RPM: _____
 Frame size: _____ Enclosure: _____
 Volts: _____ Hertz: 50 Hz
 Efficiency: IE 1 IE 2 IE 3
 Flange size: _____ Phase: _____

MAXIMUM PUMP OPERATING CONDITIONS

PN 16

12 bars at 60°C (175 psig at 140°F)
 7 bars at 149°C (100 psig at 300°F)

PN 25

25 bars at 38°C (363 psig at 100°F)
 19 bars at 149°C (275 psig at 300°F)

- See file no. 43.50 for maximum seal operating conditions.
- Coupling guard (not shown) is supplied.
- Tolerance of ±0.125" (±3 mm) should be used
- For exact installation data please write factory for certified dimensions.
- See performance curves on page 3.
- Pump equipped with casing drain plug and ¼" NPT suction and discharge gauge ports.

MECHANICAL SEAL DESIGN DATA

See file number 43.50 for standard mechanical seal details as indicated below

ARMSTRONG SEAL REFERENCE NUMBER:

c1 (a) Others: _____

SEAL DATA OPTIONS

OPTIONAL EQUIPMENT

See file no. 43.50 for environmental accessories

MATERIALS OF CONSTRUCTION

ANSI FLANGE RATING	PN 16		PN 25	
Construction	<input type="checkbox"/> BF	<input type="checkbox"/> AI	<input type="checkbox"/> DBF	<input type="checkbox"/> DI
Casing	Cast iron	Cast iron	Ductile iron	Ductile iron
Impeller	Bronze	Cast iron	Bronze	Cast iron

Flush line: Braided stainless steel

Pump shaft: 416 stainless steel

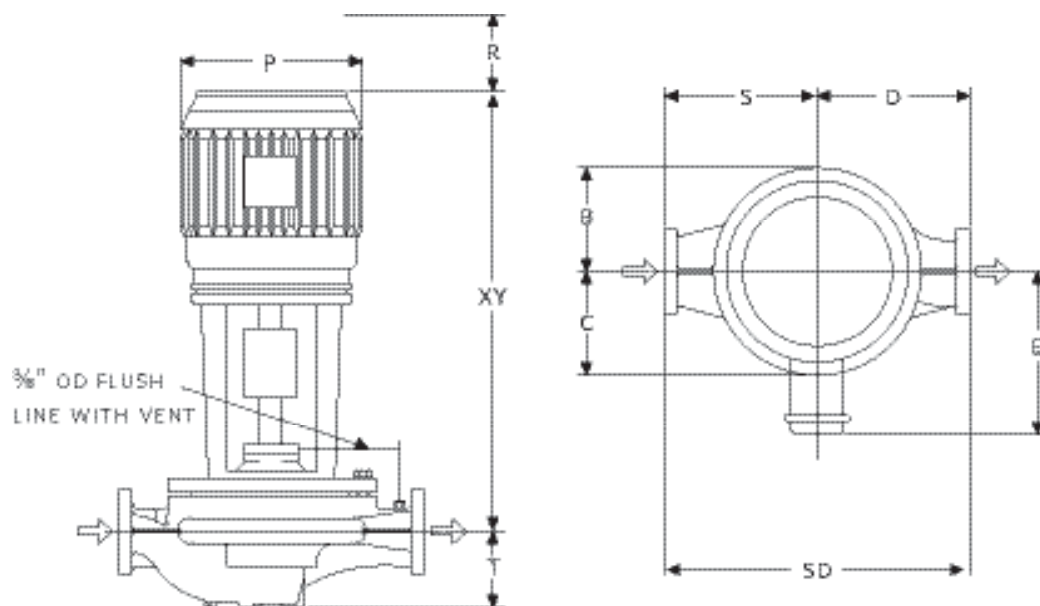
Coupling: High tensile aluminum

Gasket: Confined fiber

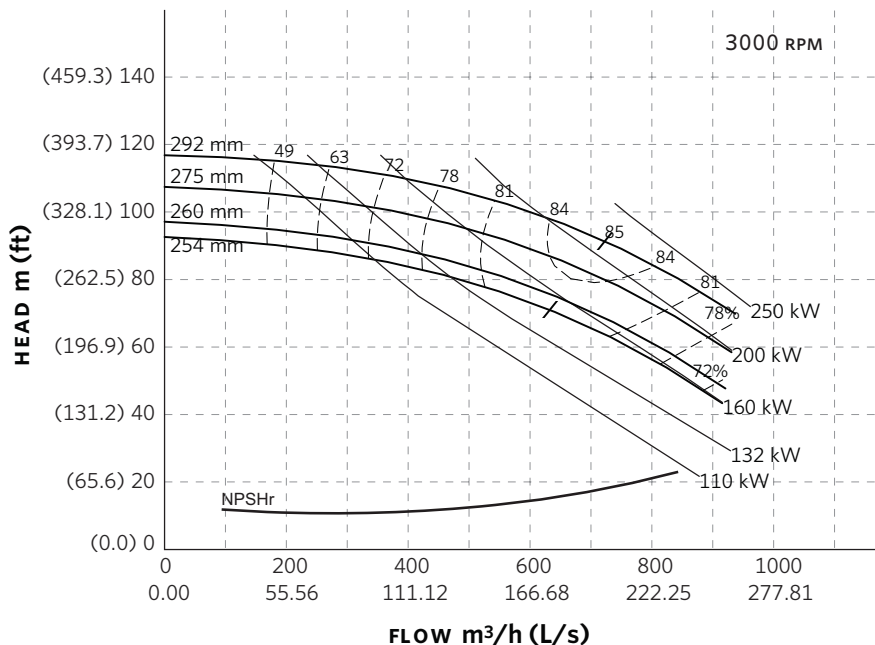
MOTOR kW		FULL LOAD CURRENT (A)	STARTING CURRENT (A)		DIMENSIONS mm(INCHES)				ASSEMBLY WEIGHT	
3000	1500	380-415V	STAR DELTA (SD)	DIRECT ON LINE (DOL)	E	P	R	XY	kg (lbs)	
160M	—	11	21.9	50.4	168.6	208 (8.19)	315 (12.40)	250 (9.84)	839 (33.03)	451.0 (994)
160L	—	15	29.6	68.1	227.9	208 (8.19)	315 (12.40)	250 (9.84)	909 (35.79)	491.0 (1082)
180M	—	18.5	36.3	94.4	304.9	248 (9.76)	316 (12.44)	325 (12.80)	909 (35.79)	514.0 (1133)
180L	—	22	41.8	92.0	313.5	255 (10.04)	350 (13.78)	325 (12.80)	1007 (39.65)	547.0 (1206)
200L	—	30	58.0	139.2	435.0	275 (10.83)	390 (15.35)	325 (12.80)	1083 (42.64)	614.0 (1354)
280S	75	—	135	324.2	1012.5	472 (18.58)	580 (22.83)	375 (14.76)	1387 (54.61)	934.0 (2059)
280M	90	—	161	386.4	1207.5	472 (18.58)	580 (22.83)	375 (14.76)	1396 (54.96)	948.0 (2090)
315S	110	—	196	470.4	1470.0	530 (20.87)	657 (25.87)	375 (14.76)	1569 (61.77)	1181.0 (2604)
315M	132	—	232	556.8	1740.0	530 (20.87)	657 (25.87)	375 (14.76)	1569 (61.77)	1290.0 (2844)
315M	160	—	281	702.5	2163.7	530 (20.87)	657 (25.87)	375 (14.76)	1569 (61.77)	1414.0 (3117)

PUMP DIMENSIONS
mm (inches)

B	C	D	S	SD	T
305 (12.00)	248 (9.75)	483 (19.00)	584 (23.00)	1067 (42.00)	252 (9.94)



SERIES 4300 PERFORMANCE CURVES



Curve number
PT664-1-255-3000

Series
4300

Size
200-330

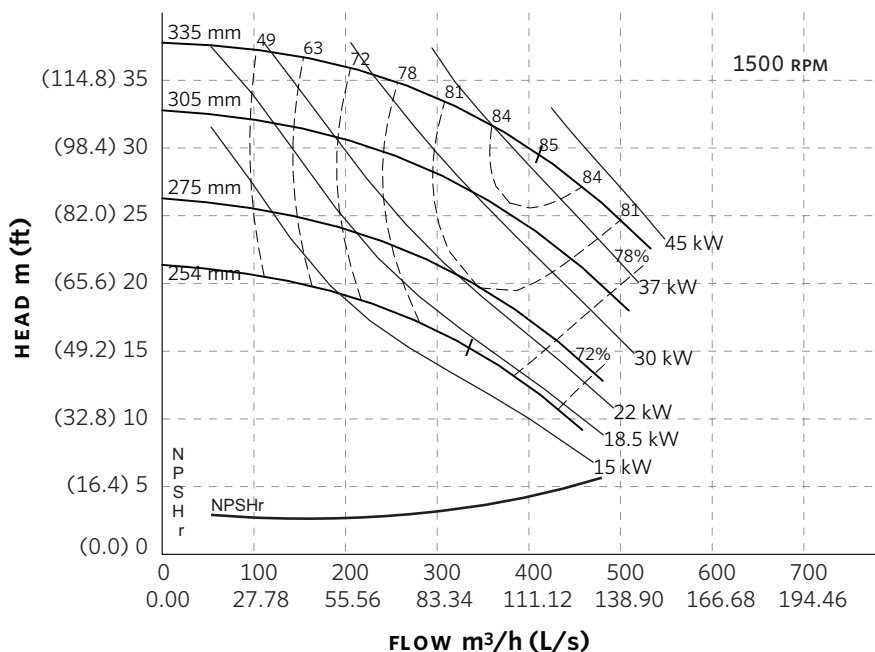
RPM
3000

BHP based on shown
Fluid's sp. gr.

Availability
4300 all ratings

Performance
guaranteed only at
operating point
indicated.

Curve shown for
clear, cold water
- SP. GR. 1.000



Curve number
PT664-1-0-1500

Series
4300

Size
200-330

RPM
1500

BHP based on shown
Fluid's sp. gr.

Availability
4300 all ratings

Performance
guaranteed only at
operating point
indicated.

Curve shown for
clear, cold water
- SP. GR. 1.000

Performance curves are for reference only.
Confirm current performance data with Armstrong ACE Online selection software.

TORONTO

23 BERTRAND AVENUE
TORONTO, ONTARIO
CANADA
M1L 2P3
+1 416 755 2291

BUFFALO

93 EAST AVENUE
NORTH TONAWANDA, NEW YORK
U.S.A.
14120-6594
+1 716 693 8813

BIRMINGHAM

HEYWOOD WHARF, MUCKLOW HILL
HALESOWEN, WEST MIDLANDS
UNITED KINGDOM
B62 8DJ
+44 (0) 8444 145 145

MANCHESTER

WENLOCK WAY
MANCHESTER
UNITED KINGDOM
M12 5JL
+44 (0) 8444 145 145

BANGALORE

#59, FIRST FLOOR, 3RD MAIN
MARGOSA ROAD, MALLESWARAM
BANGALORE, INDIA
560 003
+91 (0) 80 4906 3555

SHANGHAI

NO. 1619 HU HANG ROAD, XI DU TOWNSHIP
FENG XIAN DISTRICT, SHANGHAI
P.R.C.
201401
+86 21 3756 6696

ARMSTRONG FLUID TECHNOLOGY
ESTABLISHED 1934

ARMSTRONGFLUIDTECHNOLOGY.COM

**MAKING
ENERGY
MAKE
SENSE™**