

# SERIES 4300 | VERTICAL IN-LINE

## 5×5×13H | SUBMITTAL

File No: 43-5441  
 Date: NOV. 26, 2014  
 Supersedes: 43-5441  
 Date: APRIL 14, 2014

Job: \_\_\_\_\_ Representative: \_\_\_\_\_  
 \_\_\_\_\_ Ordered by: \_\_\_\_\_ Date: \_\_\_\_\_  
 Engineer: \_\_\_\_\_ Submitted by: \_\_\_\_\_ Date: \_\_\_\_\_  
 Contractor: \_\_\_\_\_ Approved by: \_\_\_\_\_ Date: \_\_\_\_\_

### PUMP DESIGN DATA

No. of pumps: \_\_\_\_\_ Tag: \_\_\_\_\_  
 Capacity: \_\_\_\_\_ USgpm (L/s) Head: \_\_\_\_\_ ft (m)  
 Liquid: \_\_\_\_\_ Viscosity: \_\_\_\_\_  
 Temperature: \_\_\_\_\_ °F (°C) Specific gravity: \_\_\_\_\_  
 Suction: 5" (125 mm) Discharge: 5" (125 mm)

### MOTOR DESIGN DATA

HP: \_\_\_\_\_ RPM: \_\_\_\_\_  
 Frame size: \_\_\_\_\_ Enclosure: \_\_\_\_\_  
 Volts: \_\_\_\_\_ Hertz: 60 Hz  
 Efficiency:  NEMA premium 12.12  Other: \_\_\_\_\_ %  
 Flange size: \_\_\_\_\_ Phase: \_\_\_\_\_

### MAXIMUM PUMP OPERATING CONDITIONS

#### ANSI 125

175 psig at 140°F (12 bars at 60°C)  
 100 psig at 300°F (7 bars at 149°C)

#### ANSI 250

375 psig at 100°F (26 bars at 38°C)  
 275 psig at 300°F (19 bars at 149°C)

- See file no. 43.50 for maximum seal operating conditions.
- Coupling guard (not shown) is supplied.
- Tolerance of ±0.125" (±3 mm) should be used
- For exact installation data please write factory for certified dimensions.
- See performance curves on page 3
- Pump equipped with casing drain plug and ¼" NPT suction and discharge gauge ports.

### MECHANICAL SEAL DESIGN DATA

See file number 43.50 for standard mechanical seal details as indicated below

ARMSTRONG SEAL REFERENCE NUMBER:

c1 (a)  Others: \_\_\_\_\_

### SEAL DATA OPTIONS

### OPTIONAL EQUIPMENT

See file no. 43.50 for environmental accessories

### MATERIALS OF CONSTRUCTION

ANSI FLANGE RATING	ANSI 125			ANSI 250	
Construction	<input type="checkbox"/> BF	<input type="checkbox"/> AI	<input type="checkbox"/> AB	<input type="checkbox"/> DBF	<input type="checkbox"/> DI
Casing	Cast iron	Cast iron	Bronze	Ductile iron	Ductile iron
Impeller	Bronze	Cast iron	Bronze	Bronze	Cast iron

**Flush line:** Braided stainless steel

**Pump shaft:** 416 stainless steel

**Coupling:** High tensile aluminum

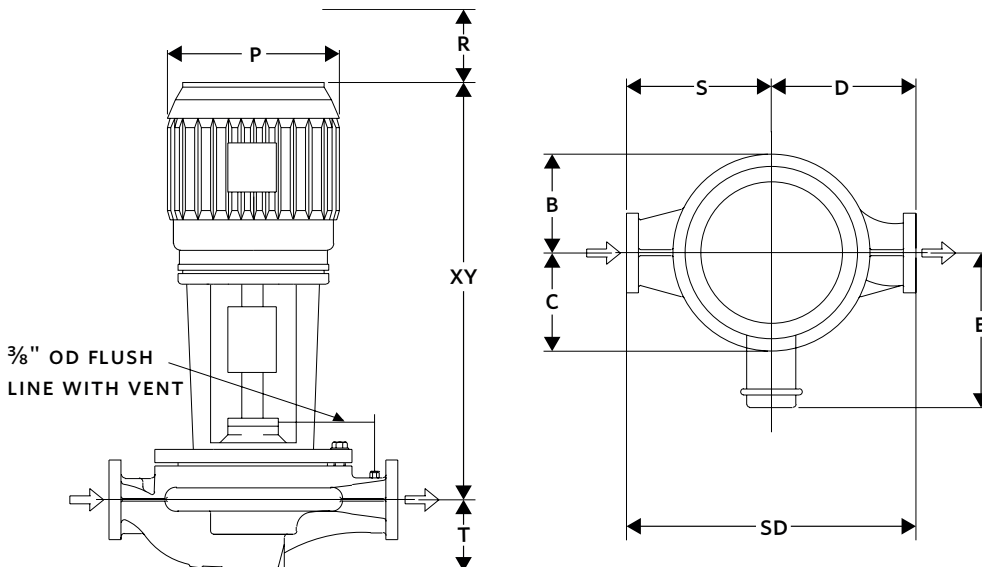
**Gasket:** Confined fiber

MOTOR FRAME	HORSEPOWER @ RPM				DIMENSIONS INCHES (mm)				WEIGHT*	
	ODP		TEFC		ODP/ TEFC				lbs (kgs)	
	1800	1200	1800	1200	E	P	R	XY	ODP	TEFC
254	—	7.5	—	7.5	9.94 (252)	13.38 (340)	5.00 (127)	36.59 (929)	585 (265.4)	612 (277.6)
256	20	10	20	10	9.94 (252)	13.38 (340)	5.00 (127)	36.59 (929)	630 (285.8)	654 (296.6)
284	25	15	25	15	11.75 (298)	13.38 (340)	5.00 (127)	36.71 (932)	708 (321.1)	811 (367.9)
286	30	—	30	—	11.75 (298)	13.38 (340)	6.00 (152)	36.71 (932)	760 (344.7)	855 (387.8)
324	40	—	40	—	12.69 (322)	14.13 (359)	6.00 (152)	44.02 (1118)	905 (410.5)	970 (440.0)
326	50	—	50	—	12.69 (322)	14.13 (359)	6.00 (152)	44.02 (1118)	925 (419.6)	1208 (547.9)
364	60	—	60	—	16.19 (411)	17.63 (448)	7.00 (178)	40.24 (1022)	1190 (539.8)	1268 (575.2)

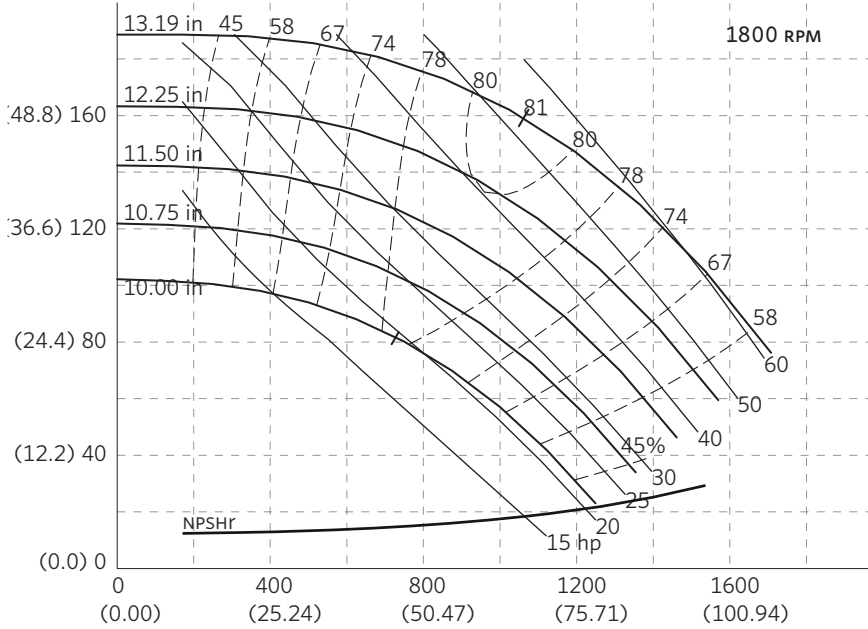
\*Assembly weight combines pump and motor.

**PUMP DIMENSIONS**  
inches (mm)

B	C	D	S	SD	T
10.45 (265)	9.03 (229)	16.50 (419)	16.50 (419)	33.00 (838)	7.33 (186)



## SERIES 4300 PERFORMANCE CURVES



**Curve number**  
PT623-0-0-1800

**Series**  
4300  
4380

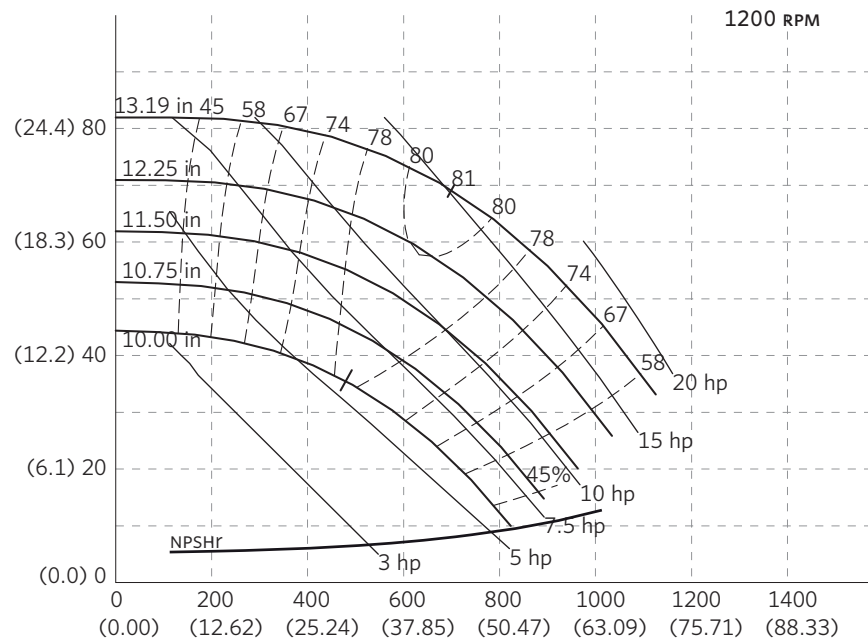
**Size**  
5 × 5 × 13H

**RPM**  
1800

BHP based on shown  
Fluid's sp. gr.

**Availability**  
4300 all ratings  
4380 all ratings  
Performance  
guaranteed only  
at operating point  
indicated

Curve shown for  
clear, cold water  
- SP. GR. 1.000



**Curve number**  
PT623-0-0-1200

**Series**  
4300  
4380

**Size**  
5 × 5 × 13H

**RPM**  
1200

BHP based on shown  
Fluid's sp. gr.

**Availability**  
4300 all ratings  
4380 all ratings  
Performance  
guaranteed only  
at operating point  
indicated

Curve shown for  
clear, cold water  
- SP. GR. 1.000

Performance curves are for reference only.

Confirm current performance data with Armstrong ACE Online selection software.

**TORONTO**

23 BERTRAND AVENUE  
TORONTO, ONTARIO  
CANADA  
M1L 2P3  
+1 416 755 2291

**BUFFALO**

93 EAST AVENUE  
NORTH TONAWANDA, NEW YORK  
U.S.A.  
14120-6594  
+1 716 693 8813

**BIRMINGHAM**

HEYWOOD WHARF, MUCKLOW HILL  
HALESOWEN, WEST MIDLANDS  
UNITED KINGDOM  
B62 8DJ  
+44 (0) 8444 145 145

**MANCHESTER**

WOLVERTON STREET  
MANCHESTER  
UNITED KINGDOM  
M11 2ET  
+44 (0) 8444 145 145

**BANGALORE**

#59, FIRST FLOOR, 3RD MAIN  
MARGOSA ROAD, MALLESWARAM  
BANGALORE, INDIA  
560 003  
+91 (0) 80 4906 3555

**SHANGHAI**

NO. 1619 HU HANG ROAD, XI DU TOWNSHIP  
FENG XIAN DISTRICT, SHANGHAI  
P.R.C.  
201401  
+86 21 3756 6696

**MAKING  
ENERGY  
MAKE  
SENSE™**