

SERIES 4300 | VERTICAL IN-LINE 6×6×11.5 | SUBMITTAL

File No: 43-535
Date: NOV. 26, 2014
Supersedes: 43-535
Date: APRIL 14, 2014

Job: _____ Representative: _____
 _____ Ordered by: _____ Date: _____
 Engineer: _____ Submitted by: _____ Date: _____
 Contractor: _____ Approved by: _____ Date: _____

PUMP DESIGN DATA

No. of pumps: _____ Tag: _____
 Capacity: _____ USgpm (L/s) Head: _____ ft (m)
 Liquid: _____ Viscosity: _____
 Temperature: _____ °F (°C) Specific gravity: _____
 Suction: 6" (150 MM) Discharge: 6" (150 MM)

MAXIMUM PUMP OPERATING CONDITIONS

ANSI 125

175 psig at 140°F (12 bars at 60°C)
 100 psig at 300°F (7 bars at 149°C)

ANSI 250

375 psig at 100°F (26 bars at 38°C)
 275 psig at 300°F (19 bars at 149°C)

- See file no. 43.50 for maximum seal operating conditions.
- Coupling guard (not shown) is supplied.
- Tolerance of ±0.125" (±3 mm) should be used
- For exact installation data please write factory for certified dimensions.
- See performance curves on page 3
- Pump equipped with casing drain plug and ¼" NPT suction and discharge gauge ports.

MATERIALS OF CONSTRUCTION

ANSI FLANGE RATING	ANSI 125			ANSI 250	
Construction	<input type="checkbox"/> BF	<input type="checkbox"/> AI	<input type="checkbox"/> AB	<input type="checkbox"/> DBF	<input type="checkbox"/> DI
Casing	Cast iron	Cast iron	Bronze	Ductile iron	Ductile iron
Impeller	Bronze	Cast iron	Bronze	Bronze	Cast iron

Flush line: Braided stainless steel

Pump shaft: 416 stainless steel

Coupling: High tensile aluminum

Gasket: Confined fiber

MOTOR DESIGN DATA

HP: _____ RPM: _____
 Frame size: _____ Enclosure: _____
 Volts: _____ Hertz: 60 Hz
 Efficiency: NEMA premium 12.12 Other: _____ %
 Flange size: _____ Phase: _____

MECHANICAL SEAL DESIGN DATA

See file number 43.50 for standard mechanical seal details as indicated below

ARMSTRONG SEAL REFERENCE NUMBER:

c1 (a) Others: _____

SEAL DATA OPTIONS

OPTIONAL EQUIPMENT

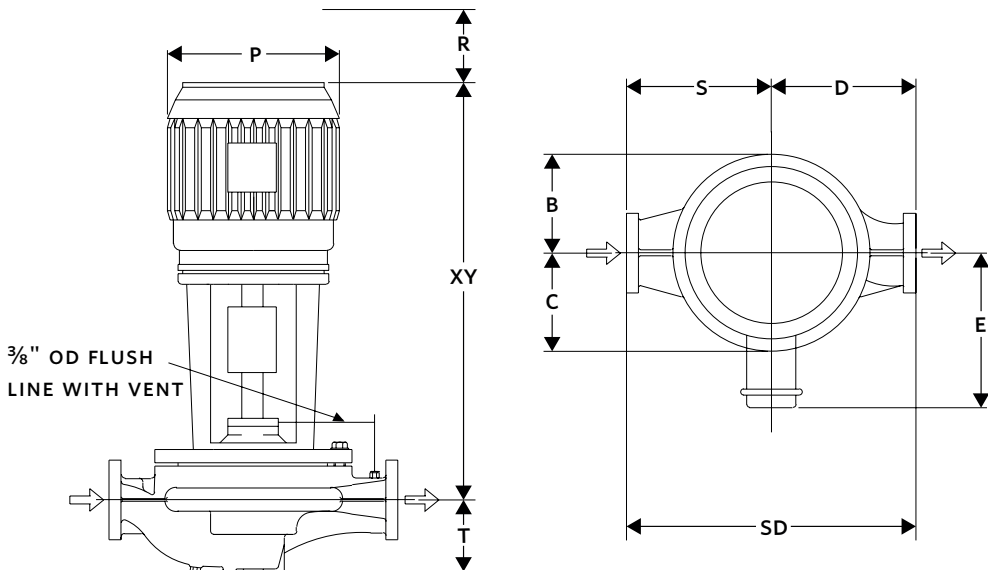
See file no. 43.50 for environmental accessories

MOTOR		DIMENSIONS INCHES (mm)								WEIGHT*	
FRAME	ODP		TEFC		ODP/ TEFC				lbs (kgs)		
	1800	1200	1800	1200	E	P	R	XY	ODP	TEFC	
213TC	—	3	—	3	8.25 (210)	12.13 (308)	4.00 (100)	29.28 (744)	538 (244.0)	601 (272.6)	
215TC	—	5	—	5	8.25 (210)	12.13 (308)	4.00 (100)	29.28 (744)	574 (260.4)	640 (290.3)	
254TC	15	7.5	15	7.5	9.94 (252)	13.38 (340)	5.00 (110)	34.22 (869)	722 (327.5)	756 (342.9)	
256TC	20	10	20	10	9.94 (252)	13.38 (340)	5.00 (110)	34.22 (869)	765 (347.0)	789 (357.9)	
284TC	25	—	25	—	12.00 (305)	15.31 (389)	5.00 (130)	43.54 (1106)	853 (386.9)	956 (433.6)	
286TC	30	—	30	—	12.00 (305)	15.31 (389)	5.00 (130)	43.54 (1106)	905 (410.5)	1000 (453.6)	
324TC	40	—	40	—	13.91 (353)	17.00 (432)	6.00 (150)	44.47 (1130)	1050 (476.3)	1115 (505.8)	

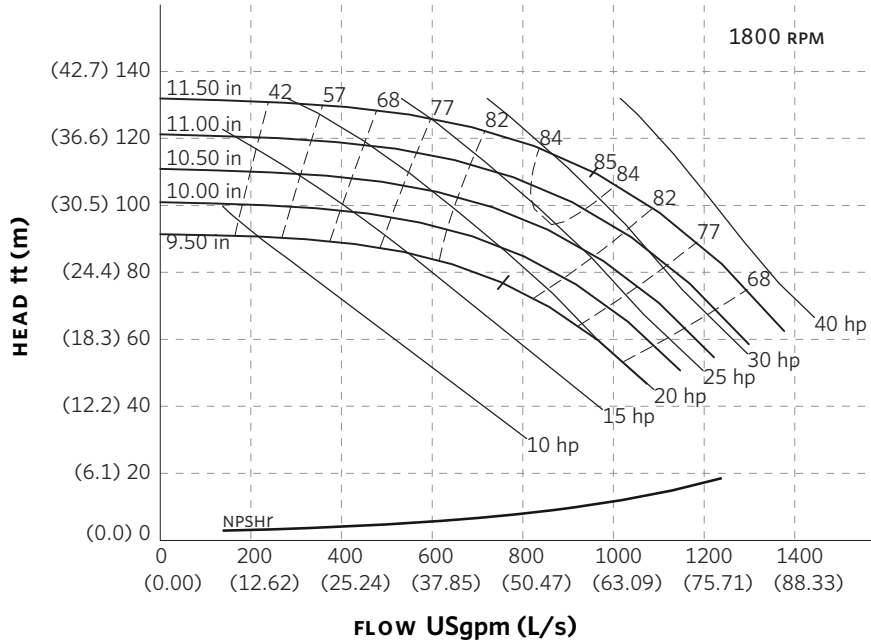
*Assembly weight combines pump and motor.

PUMP DIMENSIONS
inches (mm)

B	C	D	S	SD	T
9.80 (249)	8.50 (216)	16.50 (419)	18.50 (470)	35.00 (889)	9.75 (248)



SERIES 4300 PERFORMANCE CURVES



Curve number
PT105-1-0-1800

Series
4300
4380

Size
6 × 6 × 11.5

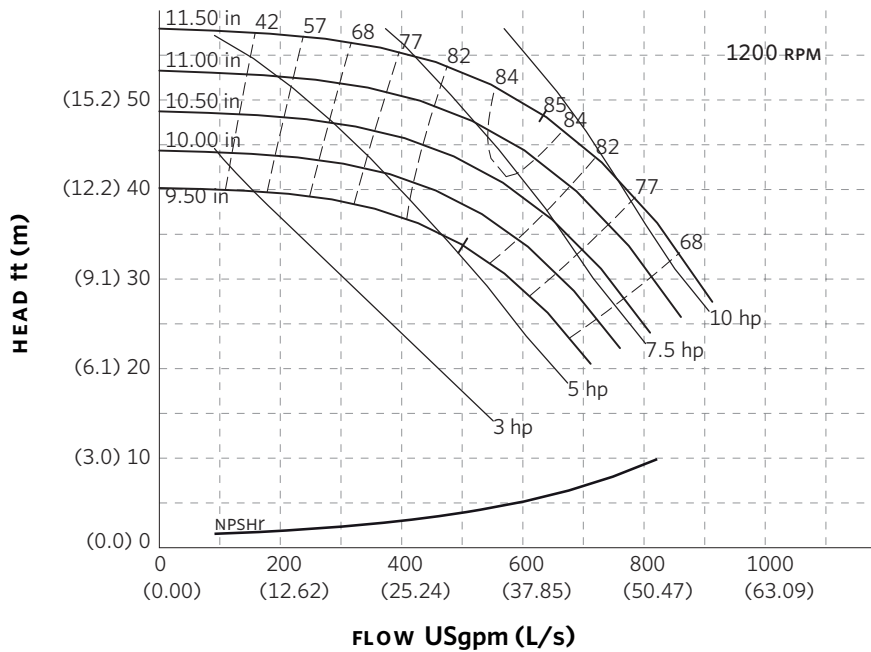
RPM
1800

BHP based on shown
Fluid's sp. gr.

Availability
4300 all ratings
4380 all ratings

Performance
guaranteed only
at operating point
indicated

Curve shown for
clear, cold water
– SP. GR. 1.000



Curve number
PT105-1-0-1200

Series
4300
4380

Size
6 × 6 × 11.5

RPM
1200

BHP based on shown
Fluid's sp. gr.

Availability
4300 all ratings
4380 all ratings

Performance
guaranteed only
at operating point
indicated

Curve shown for
clear, cold water
– SP. GR. 1.000

Performance curves are for reference only.

Confirm current performance data with Armstrong ACE Online selection software.

TORONTO

23 BERTRAND AVENUE
TORONTO, ONTARIO
CANADA
M1L 2P3
+1 416 755 2291

BUFFALO

93 EAST AVENUE
NORTH TONAWANDA, NEW YORK
U.S.A.
14120-6594
+1 716 693 8813

BIRMINGHAM

HEYWOOD WHARF, MUCKLOW HILL
HALESOWEN, WEST MIDLANDS
UNITED KINGDOM
B62 8DJ
+44 (0) 8444 145 145

MANCHESTER

WOLVERTON STREET
MANCHESTER
UNITED KINGDOM
M11 2ET
+44 (0) 8444 145 145

BANGALORE

#59, FIRST FLOOR, 3RD MAIN
MARGOSA ROAD, MALLESWARAM
BANGALORE, INDIA
560 003
+91 (0) 80 4906 3555

SHANGHAI

NO. 1619 HU HANG ROAD, XI DU TOWNSHIP
FENG XIAN DISTRICT, SHANGHAI
P.R.C.
201401
+86 21 3756 6696

**MAKING
ENERGY
MAKE
SENSE™**