

## SERIES 4280 | END SUCTION BASE MOUNTED SPLIT COUPLED | 80-330A (4x3x13) | SUBMITTAL

File No: 42.792L  
Date: MARCH 24, 2016  
Supersedes: 42.792L  
Date: MARCH 24, 2014

Job: \_\_\_\_\_ Representative: \_\_\_\_\_

Order no.: \_\_\_\_\_ Date: \_\_\_\_\_

Engineer: \_\_\_\_\_ Submitted by: \_\_\_\_\_ Date: \_\_\_\_\_

Contractor: \_\_\_\_\_ Approved by: \_\_\_\_\_ Date: \_\_\_\_\_

### PUMP DESIGN DATA

No. of pumps: \_\_\_\_\_ Tag: \_\_\_\_\_  
Capacity: \_\_\_\_\_ m<sup>3</sup>/h (USgpm) Head: \_\_\_\_\_ m (ft)  
Liquid: \_\_\_\_\_ Viscosity: \_\_\_\_\_  
Temperature: \_\_\_\_\_ °C (°F) Specific gravity: \_\_\_\_\_  
Suction: 100 mm (4") Lugged  
Discharge: 80 mm (3") Flanged

### MOTOR DESIGN DATA

kW: \_\_\_\_\_ RPM: \_\_\_\_\_ Frame size: \_\_\_\_\_ Enclosure: \_\_\_\_\_  
Volts: \_\_\_\_\_ Hertz: 50 Hz Phase: 3  
Efficiency:  IE1 (NON-EU only)  IE2  IE3

### MATERIALS OF CONSTRUCTION

FLANGE RATING	PN 16	PN 25
Construction	<input type="checkbox"/> BF	<input type="checkbox"/> DBF
Casing	Cast iron	Ductile iron
Adapter	Cast iron	Ductile iron

**Impeller:** Bronze

**Gasket:** Confined non-asbestos fiber

**Bearing frame:** Cast iron

**Shaft:** Carbon steel

**Shaft sleeve:** Bronze

### MAXIMUM PUMP OPERATING CONDITIONS

#### PN 16

12 bars at 65°C (175 psig at 150°F)  
10 bars at 121°C (140 psig at 250°F)

#### PN 25

20 bars at 65°C (300 psig at 150°F)  
17 bars at 121°C (250 psig at 250°F)

- Tolerance of ±0.125" (±3 mm) should be used
- See performance curves on page 3
- For exact installation, data please write factory for certified dimensions
- Pump equipped with casing drain plug and ¼" NPT suction and discharge gauge ports

### MECHANICAL SEAL DATA

**Seal type:** 2A      **Stationary seat:** Silicone carbide  
**Secondary seal:** EPDM      **Rotating hardware:** Stainless steel  
**Spring:** Stainless steel

### OPTIONAL EQUIPMENT

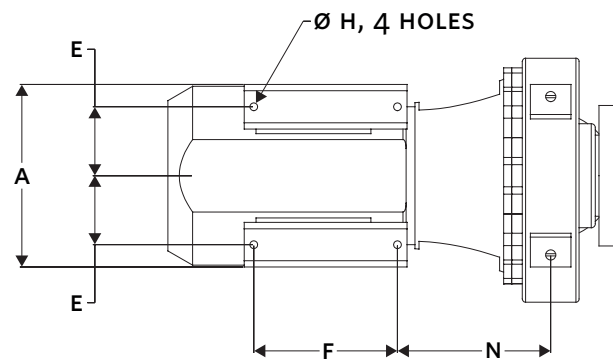
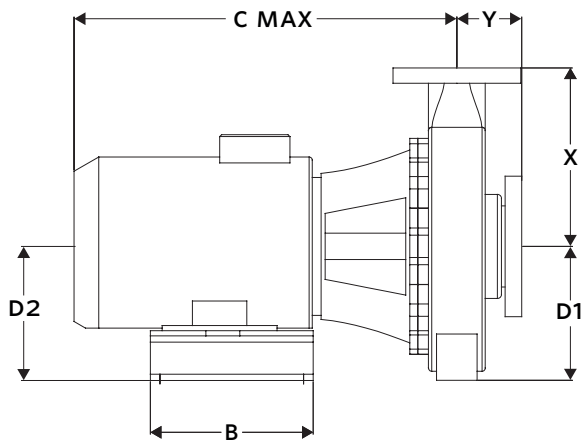
FLUID TYPE	ALL GLYCOLS > 30% WT CONC		ALL OTHER NON-POTABLE FLUIDS		POTABLE (DRINKING) WATER	
Temperature	up to 93°C (200°F)	over 93°C (200°F)	up to 93°C (200°F)	over 93°C (200°F)	up to 93°C (200°F)	over 93°C (200°F)
Rotating face	Silicone carbide		Resin bonded carbon	Antimony loaded carbon	Resin bonded carbon	
Seat elastomer	EPDM (L-cup)	EPDM (o-ring)	EPDM (L-cup)	EPDM (o-ring)	EPDM (L-cup)	EPDM (o-ring)
Material code	SCSc L EPSS 2A	SCSc O EPSS 2A	C-sc L EPSS 2A	ACSc O EPSS 2A	C-sc L EPSS 2A	C-sc O EPSS 2A

MOTOR	HORSEPOWER @ kW		FULL LOAD CURRENT (A)	STARTING CURRENT (A)		MAX. DIMENSIONS mm (inches)								ASSEMBLY WEIGHT*
	TEFC			STAR DELTA (SD)	DIRECT ON LINE (DOL)	A	B	C MAX	D1	D2	E	F	N	TEFC
FRAME	3000	1500	380-415V											
132S	—	5.5	10.9	24.0	81.8	276 (10.86)	255 (10.04)	620 (24.40)	254 (10.00)	252 (9.92)	108 (4.25)	225 (8.86)	261 (10.26)	171.0 (377)
132M	—	7.5	14.90	32.8	111.8	276 (10.86)	255 (10.04)	643 (25.30)	254 (10.00)	252 (9.92)	108 (4.25)	225 (8.86)	299 (11.76)	180.0 (397)
160M	—	11	21.90	50.4	168.6	324 (12.76)	340 (13.39)	661 (26.03)	254 (10.00)	255 (10.04)	127 (5.00)	310 (12.20)	272 (10.71)	213.0 (469)
160L	—	15	29.60	68.1	227.9	324 (12.76)	340 (13.39)	731 (28.79)	254 (10.00)	255 (10.04)	127 (5.00)	310 (12.20)	316 (12.45)	233.0 (514)
180M	—	18.5	36.3	94.4	304.9	379 (14.92)	365 (14.37)	731 (28.79)	254 (10.00)	255 (10.04)	139 (5.49)	335 (13.19)	291 (11.46)	272.0 (600)

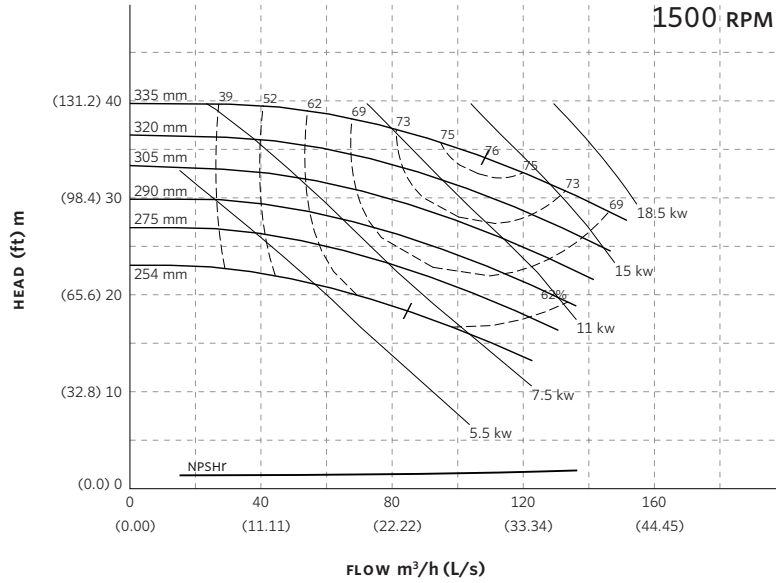
\*Assembly weight combines pump and motor.

**PUMP DIMENSIONS**  
mm (inches)

X	Y
318 (12.50)	102 (4.00)



## SERIES 4280 PERFORMANCE CURVES



**Curve number**  
PT77-0-0-1500

**Series**  
4030  
4280

**Size**  
80-330

**RPM**  
1500

BHP based on shown  
Fluid's sp. gr.

**Availability**  
4030 all ratings  
4280 all ratings

Performance  
guaranteed only  
at operating point  
indicated.

Curve shown for  
clear, cold water  
- SP. GR. 1.0000

Performance curves are for reference only.  
Confirm current performance data with Armstrong ACE Online selection software.

**TORONTO**

23 BERTRAND AVENUE  
TORONTO, ONTARIO  
CANADA  
M1L 2P3  
+1 416 755 2291

**BUFFALO**

93 EAST AVENUE  
NORTH TONAWANDA, NEW YORK  
U.S.A.  
14120-6594  
+1 716 693 8813

**BIRMINGHAM**

HEYWOOD WHARF, MUCKLOW HILL  
HALESOWEN, WEST MIDLANDS  
UNITED KINGDOM  
B62 8DJ  
+44 (0) 8444 145 145

**MANCHESTER**

WOLVERTON STREET  
MANCHESTER  
UNITED KINGDOM  
M11 2ET  
+44 (0) 8444 145 145

**BANGALORE**

#59, FIRST FLOOR, 3RD MAIN  
MARGOSA ROAD, MALLESWARAM  
BANGALORE, INDIA  
560 003  
+91 (0) 80 4906 3555

**SHANGHAI**

NO. 1619 HU HANG ROAD, XI DU TOWNSHIP  
FENG XIAN DISTRICT, SHANGHAI  
P.R.C.  
201401  
+86 21 3756 6696

**SÃO PAULO**

RUA JOSÉ SEMIÃO RODRIGUES AGOSTINHO,  
1370 GALPÃO 6  
EMBU DAS ARTES  
SAO PAULO, BRAZIL  
+55 11 4781 5500

ARMSTRONG FLUID TECHNOLOGY  
ESTABLISHED 1934

ARMSTRONGFLUIDTECHNOLOGY.COM

**MAKING  
ENERGY  
MAKE  
SENSE™**