

SERIES 4280 | END SUCTION BASE MOUNTED SPLIT COUPLED | 50-200A (3×2×8) | SUBMITTAL

File No: 42.61L
Date: MARCH 24, 2016
Supersedes: 42.61L
Date: MARCH 24, 2014

Job: _____ Representative: _____

Order no.: _____ Date: _____

Engineer: _____ Submitted by: _____ Date: _____

Contractor: _____ Approved by: _____ Date: _____

PUMP DESIGN DATA

No. of pumps: _____ Tag: _____
Capacity: _____ m³/h (USgpm) Head: _____ m (ft)
Liquid: _____ Viscosity: _____
Temperature: _____ °C (°F) Specific gravity: _____
Suction: 75mm (3") Flanged
Discharge: 50mm (2") Flanged

MOTOR DESIGN DATA

kW: _____ RPM: _____ Frame size: _____ Enclosure: _____
Volts: _____ Hertz: 50 Hz Phase: 3
Efficiency: IE1 (NON-EU only) IE2 IE3

MATERIALS OF CONSTRUCTION

FLANGE RATING	PN 16	PN 25
Construction	<input type="checkbox"/> BF	<input type="checkbox"/> DBF
Casing	Cast iron	Ductile iron
Adapter	Cast iron	Ductile iron

Impeller: Bronze

Gasket: Confined non-asbestos fiber

Bearing frame: Cast iron

Shaft: Carbon steel

Shaft sleeve: Bronze

MAXIMUM PUMP OPERATING CONDITIONS

PN 16

12 bars at 65°C (175 psig at 150°F)
10 bars at 121°C (140 psig at 250°F)

PN 25

20 bars at 65°C (300 psig at 150°F)
17 bars at 121°C (250 psig at 250°F)

- Tolerance of ±0.125" (±3 mm) should be used
- See performance curves on page 3
- For exact installation, data please write factory for certified dimensions
- Pump equipped with casing drain plug and ¼" NPT suction and discharge gauge ports

MECHANICAL SEAL DATA

Seal type: 2A **Stationary seat:** Silicone carbide
Secondary seal: EPDM **Rotating hardware:** Stainless steel
Spring: Stainless steel

OPTIONAL EQUIPMENT

FLUID TYPE	ALL GLYCOLS > 30% WT CONC		ALL OTHER NON-POTABLE FLUIDS		POTABLE (DRINKING) WATER	
Temperature	up to 93°C (200°F)	over 93°C (200°F)	up to 93°C (200°F)	over 93°C (200°F)	up to 93°C (200°F)	over 93°C (200°F)
Rotating face	Silicone carbide		Resin bonded carbon	Antimony loaded carbon	Resin bonded carbon	
Seat elastomer	EPDM (L-cup)	EPDM (o-ring)	EPDM (L-cup)	EPDM (o-ring)	EPDM (L-cup)	EPDM (o-ring)
Material code	SCSc L EPSS 2A	SCSc O EPSS 2A	C-sc L EPSS 2A	ACSc O EPSS 2A	C-sc L EPSS 2A	C-sc O EPSS 2A

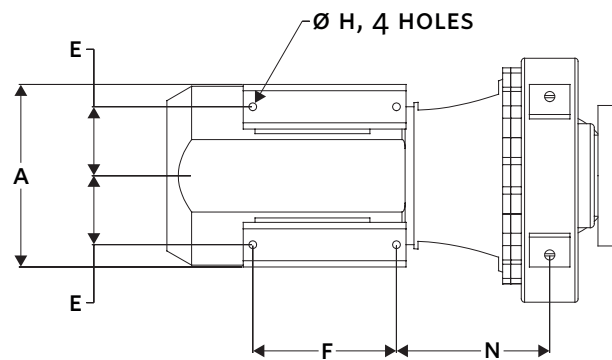
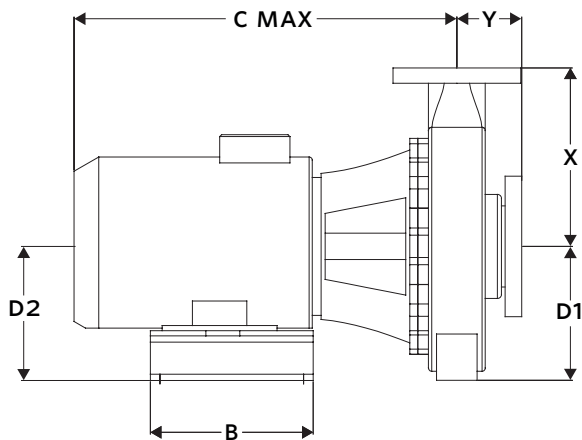
MOTOR	HORSEPOWER @ kW		FULL LOAD CURRENT (A)	STARTING CURRENT (A)		MAX. DIMENSIONS mm (inches)								ASSEMBLY WEIGHT*
	3000	1500		STAR DELTA (SD)	DIRECT ON LINE (DOL)	A	B	C MAX	D1	D2	E	F	N	TEFC kgs (lbs)
80	—	0.55	1.3	—	5.5	175 (6.89)	162 (6.38)	413 (16.28)	193 (7.61)	195 (7.68)	63 (2.47)	141 (5.55)	176 (6.93)	46.8 (103)
80	—	0.75	1.68	—	7.4	175 (6.89)	162 (6.38)	413 (16.28)	193 (7.61)	195 (7.68)	63 (2.47)	141 (5.55)	176 (6.93)	49.8 (110)
90S	—	1.1	2.47	—	12.6	190 (7.48)	187 (7.36)	364 (14.35)	193 (7.61)	192 (7.56)	70 (2.76)	166 (6.54)	157 (6.18)	55.3 (122)
90L	—	1.5	3.33	—	18.6	190 (7.48)	187 (7.36)	411 (16.20)	193 (7.61)	192 (7.56)	70 (2.76)	166 (6.54)	182 (7.16)	58.3 (129)
100L	—	2.2	4.8	—	26.5	240 (9.45)	220 (8.66)	436 (17.18)	193 (7.61)	192 (7.56)	80 (3.15)	190 (7.48)	164 (6.47)	66.8 (147)
132S	5.5	—	10.8	25.9	88.6	306 (12.04)	220 (8.66)	590 (23.24)	193 (7.61)	193 (7.61)	108 (4.25)	190 (7.48)	267 (10.52)	96.3 (212)
132S	7.5	—	14.5	36.3	118.9	306 (12.04)	220 (8.66)	590 (23.24)	193 (7.61)	193 (7.61)	108 (4.25)	190 (7.48)	267 (10.52)	99.3 (219)
160M	11	—	21.1	52.8	164.6	334 (13.15)	364 (14.33)	696 (27.39)	193 (7.61)	190 (7.48)	127 (5.00)	332 (13.07)	295 (11.63)	140.3 (309)
160M	15	—	28.5	74.1	228.0	334 (13.15)	364 (14.33)	696 (27.39)	193 (7.61)	190 (7.48)	127 (5.00)	332 (13.07)	295 (11.63)	148.3 (327)
160L	18.5	—	34.9	94.2	303.6	334 (13.15)	364 (14.33)	766 (30.15)	193 (7.61)	190 (7.48)	127 (5.00)	332 (13.07)	340 (13.37)	160.3 (353)

*Assembly weight combines pump and motor.

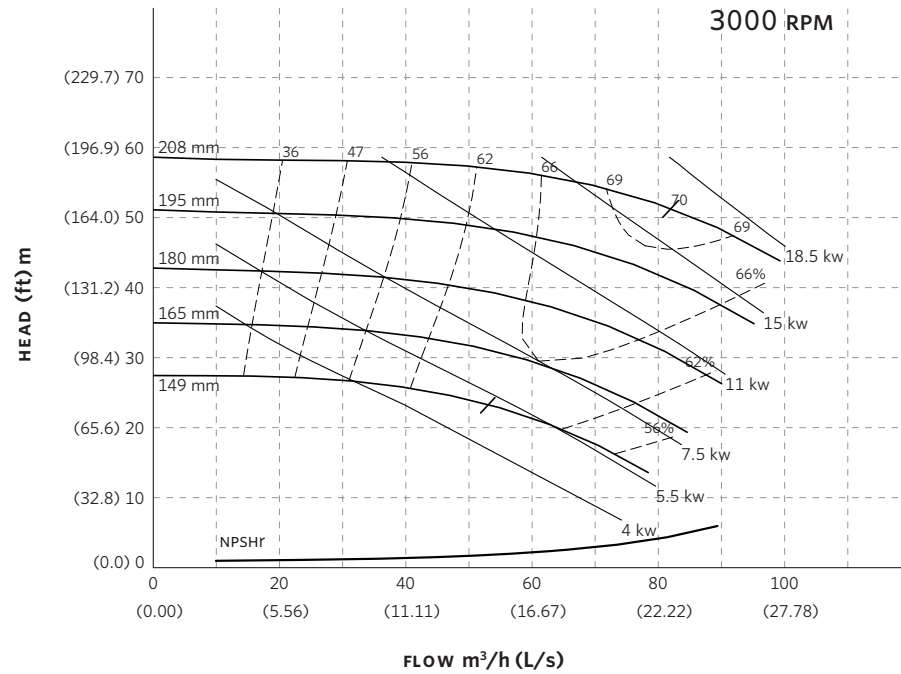
PUMP DIMENSIONS

mm (inches)

X	Y
241 (9.50)	102 (4.00)



SERIES 4280 PERFORMANCE CURVES



Curve number
PT65-3-0-3000

Series
4030
4280

Size
50-200

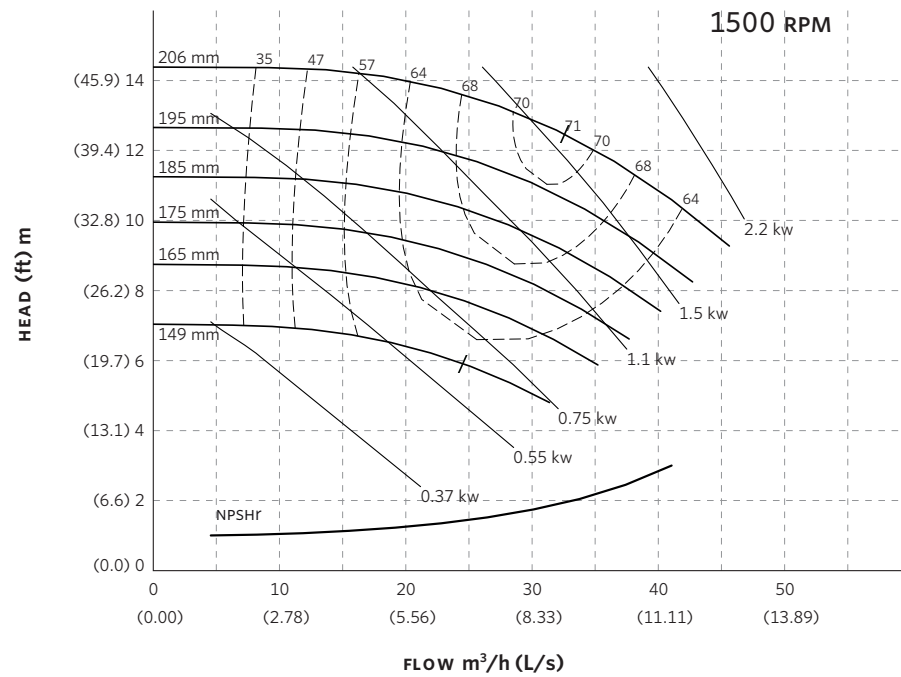
RPM
3000

BHP based on shown
Fluid's sp. gr.

Availability
4030 all ratings
4280 all ratings

Performance
guaranteed only
at operating point
indicated.

Curve shown for
clear, cold water
- SP. GR. 1.0000



Curve number
PT64-2-0-1500

Series
4030
4280

Size
50-200

RPM
1500

BHP based on shown
Fluid's sp. gr.

Availability
4030 all ratings
4280 all ratings.

Performance
guaranteed only
at operating point
indicated.

Curve shown for
clear, cold water
- SP. GR. 1.0000

Performance curves are for reference only.
Confirm current performance data with Armstrong ACE Online selection software.

TORONTO

23 BERTRAND AVENUE
TORONTO, ONTARIO
CANADA
M1L 2P3
+1 416 755 2291

BUFFALO

93 EAST AVENUE
NORTH TONAWANDA, NEW YORK
U.S.A.
14120-6594
+1 716 693 8813

BIRMINGHAM

HEYWOOD WHARF, MUCKLOW HILL
HALESOWEN, WEST MIDLANDS
UNITED KINGDOM
B62 8DJ
+44 (0) 8444 145 145

MANCHESTER

WOLVERTON STREET
MANCHESTER
UNITED KINGDOM
M11 2ET
+44 (0) 8444 145 145

BANGALORE

#59, FIRST FLOOR, 3RD MAIN
MARGOSA ROAD, MALLESWARAM
BANGALORE, INDIA
560 003
+91 (0) 80 4906 3555

SHANGHAI

NO. 1619 HU HANG ROAD, XI DU TOWNSHIP
FENG XIAN DISTRICT, SHANGHAI
P.R.C.
201401
+86 21 3756 6696

SÃO PAULO

RUA JOSÉ SEMIÃO RODRIGUES AGOSTINHO,
1370 GALPÃO 6
EMBU DAS ARTES
SAO PAULO, BRAZIL
+55 11 4781 5500

ARMSTRONG FLUID TECHNOLOGY
ESTABLISHED 1934

ARMSTRONGFLUIDTECHNOLOGY.COM

**MAKING
ENERGY
MAKE
SENSE™**