

## SERIES 4280 | END SUCTION BASE MOUNTED SPLIT COUPLED | 40-200A (2x1.5x8) | SUBMITTAL

File No: 42.595L  
Date: MARCH 24, 2016  
Supersedes: 42.595L  
Date: MARCH 24, 2014

Job: \_\_\_\_\_ Representative: \_\_\_\_\_

Order no.: \_\_\_\_\_ Date: \_\_\_\_\_

Engineer: \_\_\_\_\_ Submitted by: \_\_\_\_\_ Date: \_\_\_\_\_

Contractor: \_\_\_\_\_ Approved by: \_\_\_\_\_ Date: \_\_\_\_\_

### PUMP DESIGN DATA

No. of pumps: \_\_\_\_\_ Tag: \_\_\_\_\_  
Capacity: \_\_\_\_\_ m<sup>3</sup>/h (USgpm) Head: \_\_\_\_\_ m (ft)  
Liquid: \_\_\_\_\_ Viscosity: \_\_\_\_\_  
Temperature: \_\_\_\_\_ °C (°F) Specific gravity: \_\_\_\_\_  
Suction: 50mm (2") Flanged  
Discharge: 38mm (1.5") Flanged

### MOTOR DESIGN DATA

kW: \_\_\_\_\_ RPM: \_\_\_\_\_ Frame size: \_\_\_\_\_ Enclosure: \_\_\_\_\_  
Volts: \_\_\_\_\_ Hertz: 50 Hz Phase: 3  
Efficiency:  IE1 (NON-EU only)  IE2  IE3

### MATERIALS OF CONSTRUCTION

FLANGE RATING	PN 16	PN 25
Construction	<input type="checkbox"/> BF	<input type="checkbox"/> DBF
Casing	Cast iron	Ductile iron
Adapter	Cast iron	Ductile iron

**Impeller:** Bronze

**Gasket:** Confined non-asbestos fiber

**Bearing frame:** Cast iron

**Shaft:** Carbon steel

**Shaft sleeve:** Bronze

### MAXIMUM PUMP OPERATING CONDITIONS

#### PN 16

12 bars at 65°C (175 psig at 150°F)  
10 bars at 121°C (140 psig at 250°F)

#### PN 25

20 bars at 65°C (300 psig at 150°F)  
17 bars at 121°C (250 psig at 250°F)

- Tolerance of ±0.125" (±3 mm) should be used
- See performance curves on page 3
- For exact installation, data please write factory for certified dimensions
- Pump equipped with casing drain plug and ¼" NPT suction and discharge gauge ports

### MECHANICAL SEAL DATA

**Seal type:** 2A **Stationary seat:** Silicone carbide  
**Secondary seal:** EPDM **Rotating hardware:** Stainless steel  
**Spring:** Stainless steel

### OPTIONAL EQUIPMENT

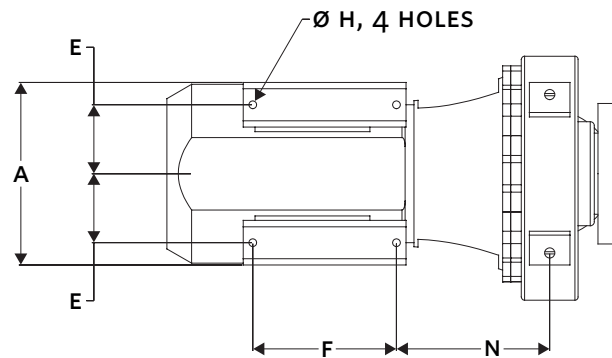
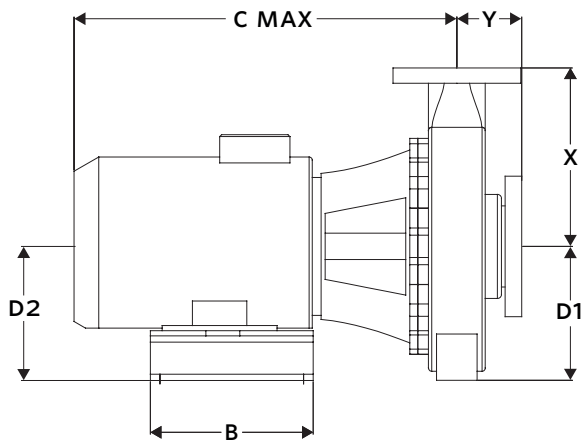
FLUID TYPE	ALL GLYCOLS > 30% WT CONC		ALL OTHER NON-POTABLE FLUIDS		POTABLE (DRINKING) WATER	
Temperature	up to 93°C (200°F)	over 93°C (200°F)	up to 93°C (200°F)	over 93°C (200°F)	up to 93°C (200°F)	over 93°C (200°F)
Rotating face	Silicone carbide		Resin bonded carbon	Antimony loaded carbon	Resin bonded carbon	
Seat elastomer	EPDM (L-cup)	EPDM (o-ring)	EPDM (L-cup)	EPDM (o-ring)	EPDM (L-cup)	EPDM (o-ring)
Material code	SCSc L EPSS 2A	SCSc O EPSS 2A	C-sc L EPSS 2A	ACSc O EPSS 2A	C-sc L EPSS 2A	C-sc O EPSS 2A

MOTOR	HORSEPOWER @ kW		FULL LOAD CURRENT (A)	STARTING CURRENT (A)		MAX. DIMENSIONS mm (inches)								ASSEMBLY WEIGHT*
	3000	1500		STAR DELTA (SD)	DIRECT ON LINE (DOL)	A	B	C MAX	D1	D2	E	F	N	TEFC kgs (lbs)
80	—	0.55	1.3	—	5.5	165 (6.49)	162 (6.38)	413 (16.26)	168 (6.61)	174 (6.85)	62 (2.46)	141 (5.55)	175 (6.89)	59.5 (131)
80	—	0.75	1.68	—	7.4	165 (6.49)	162 (6.38)	413 (16.26)	168 (6.61)	174 (6.85)	62 (2.46)	141 (5.55)	175 (6.89)	62.5 (138)
90S	—	1.1	2.47	—	12.6	200 (7.87)	187 (7.36)	364 (14.33)	168 (6.61)	165 (6.50)	70 (2.76)	166 (6.54)	156 (6.14)	68.0 (150)
90L	—	1.5	3.33	—	18.6	200 (7.87)	187 (7.36)	411 (16.18)	168 (6.61)	165 (6.50)	70 (2.76)	166 (6.54)	181 (7.12)	71.0 (157)
100L	—	2.2	4.8	—	26.5	220 (8.66)	220 (8.66)	436 (17.16)	168 (6.61)	168 (6.61)	80 (3.15)	190 (7.48)	184 (7.24)	79.5 (175)
112M	4	—	8.0	22.4	62.4	260 (10.24)	220 (8.66)	480 (18.90)	168 (6.61)	167 (6.57)	95 (3.74)	190 (7.48)	191 (7.52)	87.0 (192)
132S	5.5	—	10.8	25.9	88.6	291 (11.45)	300 (11.81)	590 (23.22)	168 (6.61)	170 (6.69)	108 (4.25)	250 (9.84)	237 (9.33)	109.0 (240)
132S	7.5	—	14.5	36.3	118.9	291 (11.45)	300 (11.81)	590 (23.22)	168 (6.61)	170 (6.69)	108 (4.25)	250 (9.84)	237 (9.33)	112.0 (247)
160M	11	—	21.1	52.75	164.58	334 (13.15)	364 (14.33)	695 (27.34)	183 (7.20)	185 (7.28)	127 (5.00)	332 (13.07)	295 (11.60)	153.0 (337)
160M	15	—	28.5	74.1	228	334 (13.15)	364 (14.33)	695 (27.34)	183 (7.20)	185 (7.28)	127 (5.00)	332 (13.07)	295 (11.60)	161.0 (355)

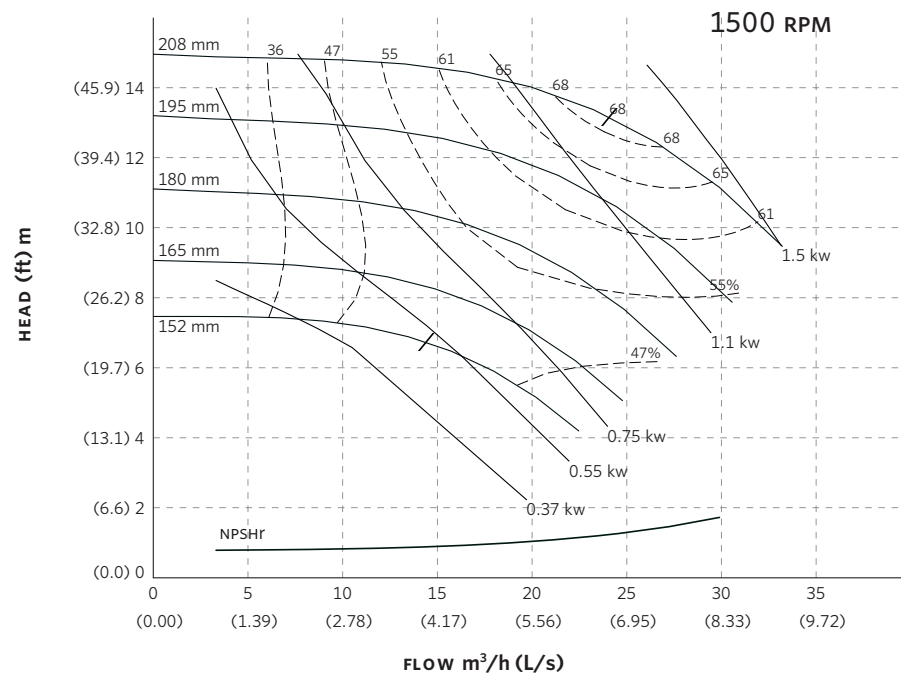
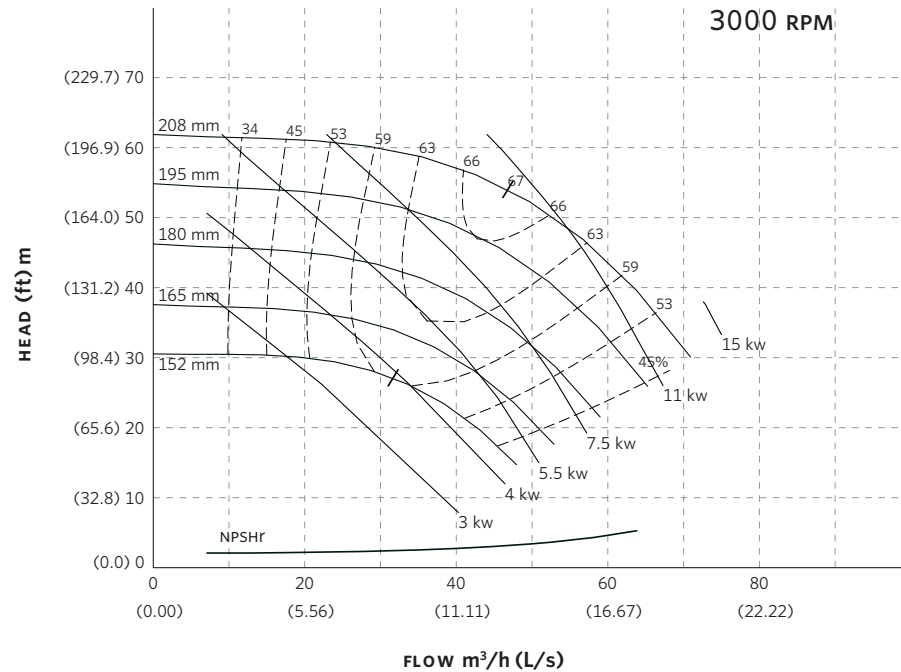
\*Assembly weight combines pump and motor.

**PUMP DIMENSIONS**  
mm (inches)

X	Y
216 (8.50)	102 (4.00)



## SERIES 4280 PERFORMANCE CURVES



Performance curves are for reference only.  
Confirm current performance data with Armstrong ACE Online selection software.

**TORONTO**

23 BERTRAND AVENUE  
TORONTO, ONTARIO  
CANADA  
M1L 2P3  
+1 416 755 2291

**BUFFALO**

93 EAST AVENUE  
NORTH TONAWANDA, NEW YORK  
U.S.A.  
14120-6594  
+1 716 693 8813

**BIRMINGHAM**

HEYWOOD WHARF, MUCKLOW HILL  
HALESOWEN, WEST MIDLANDS  
UNITED KINGDOM  
B62 8DJ  
+44 (0) 8444 145 145

**MANCHESTER**

WOLVERTON STREET  
MANCHESTER  
UNITED KINGDOM  
M11 2ET  
+44 (0) 8444 145 145

**BANGALORE**

#59, FIRST FLOOR, 3RD MAIN  
MARGOSA ROAD, MALLESWARAM  
BANGALORE, INDIA  
560 003  
+91 (0) 80 4906 3555

**SHANGHAI**

NO. 1619 HU HANG ROAD, XI DU TOWNSHIP  
FENG XIAN DISTRICT, SHANGHAI  
P.R.C.  
201401  
+86 21 3756 6696

**SÃO PAULO**

RUA JOSÉ SEMIÃO RODRIGUES AGOSTINHO,  
1370 GALPÃO 6  
EMBU DAS ARTES  
SAO PAULO, BRAZIL  
+55 11 4781 5500

ARMSTRONG FLUID TECHNOLOGY  
ESTABLISHED 1934

ARMSTRONGFLUIDTECHNOLOGY.COM

**MAKING  
ENERGY  
MAKE  
SENSE™**