

## SERIES 4030 | END SUCTION BASE MOUNTED | 100s-250A (5×4×10) | SUBMITTAL

**File No:** 40.65IEC  
**Date:** APRIL 26, 2016  
**Supersedes:** NEW  
**Date:** NEW

Job: \_\_\_\_\_ Representative: \_\_\_\_\_  
 \_\_\_\_\_ Order no.: \_\_\_\_\_ Date: \_\_\_\_\_  
 Engineer: \_\_\_\_\_ Submitted by: \_\_\_\_\_ Date: \_\_\_\_\_  
 Contractor: \_\_\_\_\_ Approved by: \_\_\_\_\_ Date: \_\_\_\_\_

### PUMP DESIGN DATA

No. of pumps: \_\_\_\_\_ Tag: \_\_\_\_\_  
 Capacity: \_\_\_\_\_ m<sup>3</sup>/h (USgpm) Head: \_\_\_\_\_ m(ft)  
 Liquid: \_\_\_\_\_ Viscosity: \_\_\_\_\_  
 Temperature: \_\_\_\_\_ °C (°F) Specific gravity: \_\_\_\_\_  
 Suction: 125 mm (5") Flanged  
 Discharge: 100 mm (4") Flanged

### MATERIALS OF CONSTRUCTION

ANSI FLANGE RATING	PN 16	PN 25
<b>Construction</b>	<input type="checkbox"/> BF	<input type="checkbox"/> DBF
<b>Casing</b>	Cast iron	Ductile iron

**Impeller:** Bronze  
**Gasket:** Confined non-asbestos fiber  
**Bearing frame:** Cast iron  
**Anti-friction bearings:** Permanently lubricated  
**Shaft:** Carbon steel  
**Shaft sleeve:** Stainless steel  
**Coupler:** Woods sure flex or equal  
**Coupler guard:** Steel OSHA  
**Baseplate:** Fabricated steel

### MECHANICAL SEAL DATA

**Seal type:** 2A      **Stationary seat:** Silicone carbide  
**Secondary seal:** EPDM      **Rotating hardware:** Stainless steel  
**Spring:** Stainless steel

### MOTOR DESIGN DATA

kW: \_\_\_\_\_ RPM: \_\_\_\_\_  
 Frame size: \_\_\_\_\_ Enclosure: \_\_\_\_\_  
 Volts: \_\_\_\_\_ Hertz: 50 Hz      Phase: 3  
 Efficiency:  IE1     IE2     IE3

### MAXIMUM PUMP OPERATING CONDITIONS

**PN 16**  
 12 bars at 65°C (175 psig at 150°F)  
 10 bars at 121°C (140 psig at 250°F)

**PN 25**  
 20 bars at 65°C (300 psig at 150°F)  
 17 bars at 121°C (250 psig at 250°F)

- Tolerance of ±3 mm (±0.125") should be used
- For exact installation, data please write factory for certified dimensions
- Pump equipped with casing drain plug and ¼" NPT suction and discharge gauge ports.
- See performance curves on page 3

### OPTIONAL EQUIPMENT

FLUID TYPE	ALL GLYCOLS > 30% WT CONC		ALL OTHER NON-POTABLE FLUIDS		POTABLE (DRINKING) WATER	
	up to 93°C (200°F)	over 93°C (200°F)	up to 93°C (200°F)	over 93°C (200°F)	up to 93°C (200°F)	over 93°C (200°F)
<b>Rotating face</b>	Silicone carbide		Resin bonded carbon	Antimony loaded carbon	Resin bonded carbon	
<b>Seat elastomer</b>	EPDM (L-cup)	EPDM (O-ring)	EPDM (L-cup)	EPDM (O-ring)	EPDM (L-cup)	EPDM (O-ring)
<b>Material code</b>	SCsc L EPSS 2A	SCsc O EPSS 2A	C-SC L EPSS 2A	ACsc O EPSS 2A	C-SC L EPSS 2A	C-SC O EPSS 2A

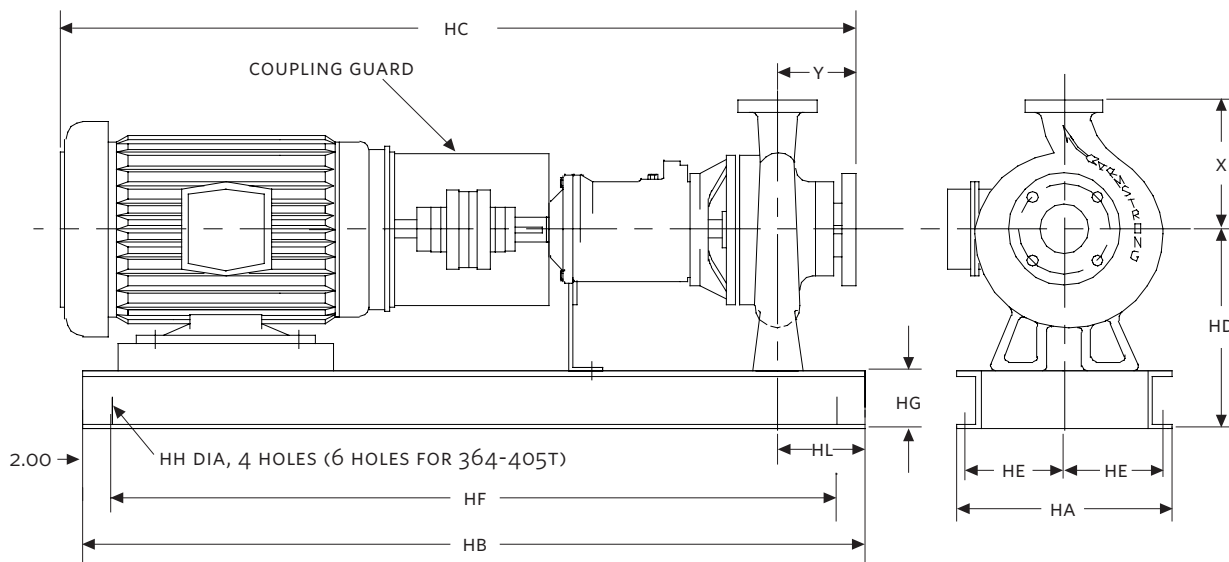
MOTOR	MOTOR kW @ RPM		FULL LOAD CURRENT (A)	STARTING CURRENT (A)		DIMENSIONS mm(INCHES)								WEIGHT*
	TEFC			STAR DELTA (SD)	DIRECT ON LINE (DOL)	HA	HB	HC	HD	HE	HF	HG	HL	kg (lbs)
FRAME	3000	1500	380-415V											
100L	—	3	6.4	—	37.1	406 (16.00)	1016 (40.00)	739 (29.11)	330 (13.00)	187 (7.38)	914 (36.00)	76 (3.00)	114 (4.50)	141.9 (313)
112M	—	4	8.41	18.5	58.9	406 (16.00)	1016 (40.00)	783 (30.85)	330 (13.00)	187 (7.38)	914 (36.00)	76 (3.00)	114 (4.50)	150.9 (333)
132S	—	5.5	10.90	24.0	81.8	356 (14.00)	838 (33.00)	856 (33.72)	330 (13.00)	162 (6.38)	737 (29.00)	76 (3.00)	114 (4.50)	171.9 (379)
132M	—	7.5	14.90	32.8	111.8	356 (14.00)	838 (33.00)	879 (34.62)	330 (13.00)	162 (6.38)	737 (29.00)	76 (3.00)	114 (4.50)	180.9 (399)
160M	—	11	21.9	50.4	168.6	406 (16.00)	1143 (45.00)	1082 (42.60)	330 (13.00)	187 (7.38)	1041 (41.00)	76 (3.00)	114 (4.50)	213.9 (471)
180M	22	—	40.9	114.5	368.1	483 (19.00)	1219 (48.00)	1082 (42.60)	356 (14.00)	225 (8.88)	1118 (44.00)	102 (4.00)	114 (4.50)	272.9 (602)
200L	30	—	55.9	139.8	436.0	483 (19.00)	1219 (48.00)	1259 (49.58)	356 (14.00)	225 (8.88)	1118 (44.00)	102 (4.00)	114 (4.50)	334.9 (738)
200L	37	—	68.7	171.8	535.9	483 (19.00)	1219 (48.00)	1259 (49.58)	356 (14.00)	225 (8.88)	1118 (44.00)	102 (4.00)	114 (4.50)	363.9 (802)
225M	45	—	81.5	179.3	570.5	483 (19.00)	1219 (48.00)	1294 (50.96)	356 (14.00)	225 (8.88)	1118 (44.00)	102 (4.00)	114 (4.50)	464.9 (1025)
250M	55	—	99.2	218.2	694.4	483 (19.00)	1473 (58.00)	1405 (55.33)	396 (15.60)	225 (8.88)	1372 (54.00)	102 (4.00)	114 (4.50)	521.9 (1150)
280S	75	—	135.0	324.0	1012.5	483 (19.00)	1473 (58.00)	1543 (60.75)	434 (17.10)	225 (8.88)	1372 (54.00)	102 (4.00)	114 (4.50)	738.9 (1629)

\*Assembly weight combines pump and motor.

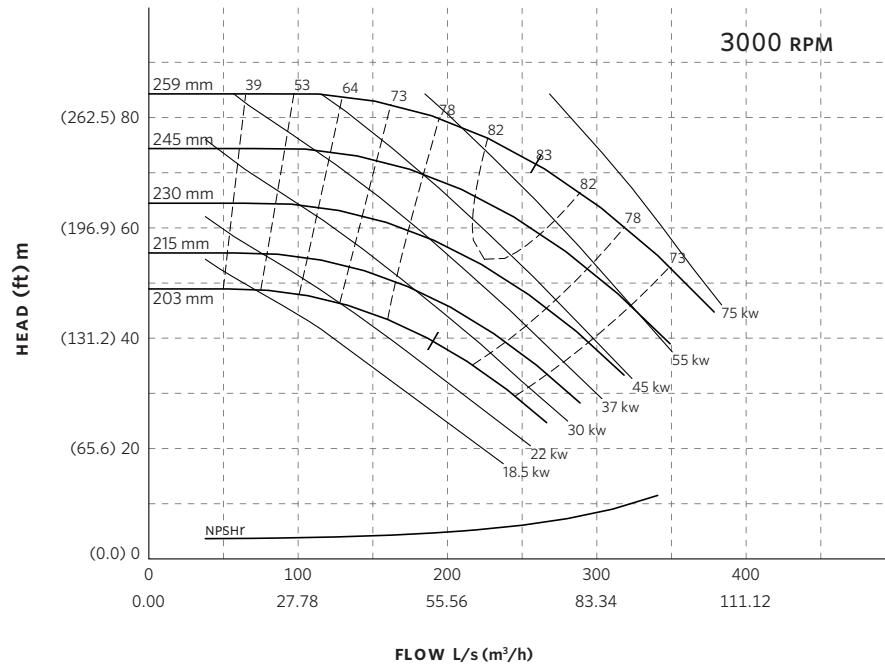
**PUMP DIMENSIONS**

mm (inches)

X	Y
318 (12.50)	102 (4.00)



## SERIES 4030 PERFORMANCE CURVES



**Curve number**  
PT89-1-0-3000

**Series**  
4030  
4280

**Size**  
100S-250A

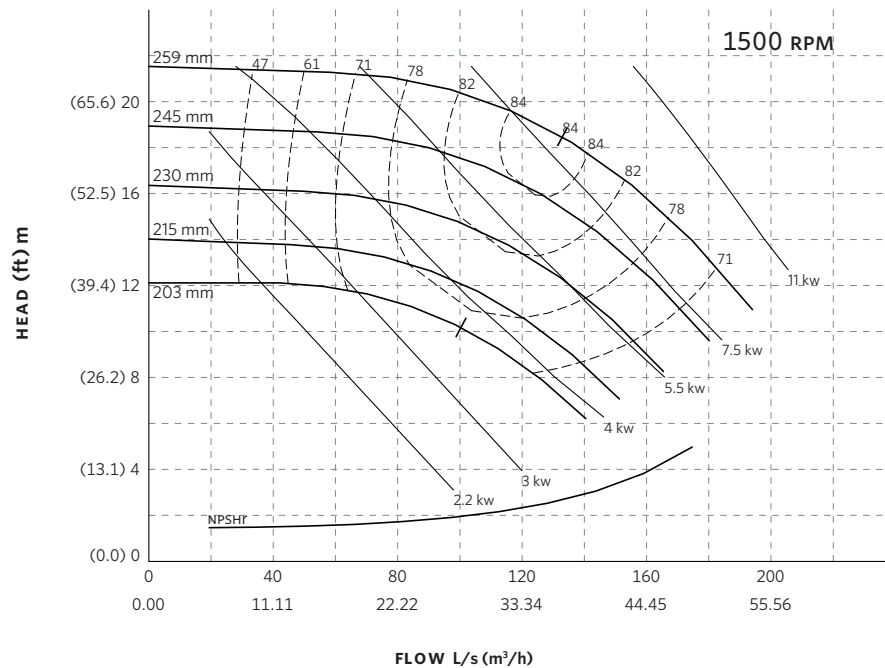
**RPM**  
3000

BHP based on shown  
Fluid's sp. gr.

**Availability**  
4030 all ratings  
4280 all ratings

Performance  
guaranteed only at  
operating point  
indicated.

Curve shown for  
clear, cold water  
- SP. GR. 1.000



**Curve number**  
PT90-1-0-1500

**Series**  
4030  
4280

**Size**  
100S-250A

**RPM**  
1500

kwa based on shown  
Fluid's sp. gr.

**Availability**  
4030 all ratings  
4280 all ratings

Performance  
guaranteed only at  
operating point  
indicated.

Curve shown for  
clear, cold water  
- SP. GR. 1.000

Performance curves are for reference only.  
Confirm current performance data with Armstrong ACE Online selection software.

**TORONTO**

23 BERTRAND AVENUE  
TORONTO, ONTARIO  
CANADA  
M1L 2P3  
+1 416 755 2291

**BUFFALO**

93 EAST AVENUE  
NORTH TONAWANDA, NEW YORK  
U.S.A.  
14120-6594  
+1 716 693 8813

**BIRMINGHAM**

HEYWOOD WHARF, MUCKLOW HILL  
HALESOWEN, WEST MIDLANDS  
UNITED KINGDOM  
B62 8DJ  
+44 (0) 8444 145 145

**MANCHESTER**

WOLVERTON STREET  
MANCHESTER  
UNITED KINGDOM  
M11 2ET  
+44 (0) 8444 145 145

**BANGALORE**

#59, FIRST FLOOR, 3RD MAIN  
MARGOSA ROAD, MALLESWARAM  
BANGALORE, INDIA  
560 003  
+91 (0) 80 4906 3555

**SHANGHAI**

NO. 1619 HU HANG ROAD, XI DU TOWNSHIP  
FENG XIAN DISTRICT, SHANGHAI  
P.R.C.  
201401  
+86 21 3756 6696