

SERIES 4030 | END SUCTION BASE MOUNTED | 40-250A (2×1.5×10) | SUBMITTAL

File No: 40.6121EC
Date: APRIL 26, 2016
Supersedes: NEW
Date: NEW

Job: _____ Representative: _____
 _____ Order no.: _____ Date: _____
 Engineer: _____ Submitted by: _____ Date: _____
 Contractor: _____ Approved by: _____ Date: _____

PUMP DESIGN DATA

No. of pumps: _____ Tag: _____
 Capacity: _____ m³/h (USgpm) Head: _____ m(ft)
 Liquid: _____ Viscosity: _____
 Temperature: _____ °C (°F) Specific gravity: _____
 Suction: 50 mm (2") Flanged
 Discharge: 40 mm (1.5") Flanged

MATERIALS OF CONSTRUCTION

ANSI FLANGE RATING	PN 16	PN 25
Construction	<input type="checkbox"/> BF	<input type="checkbox"/> DBF
Casing	Cast iron	Ductile iron

Impeller: Bronze
Gasket: Confined non-asbestos fiber
Bearing frame: Cast iron
Anti-friction bearings: Permanently lubricated
Shaft: Carbon steel
Shaft sleeve: Stainless steel
Coupler: Woods sure flex or equal
Coupler guard: Steel OSHA
Baseplate: Fabricated steel

MECHANICAL SEAL DATA

Seal type: 2A **Stationary seat:** Silicone carbide
Secondary seal: EPDM **Rotating hardware:** Stainless steel
Spring: Stainless steel

MOTOR DESIGN DATA

kW: _____ RPM: _____
 Frame size: _____ Enclosure: _____
 Volts: _____ Hertz: 50 Hz Phase: 3
 Efficiency: IE1 IE2 IE3

MAXIMUM PUMP OPERATING CONDITIONS

PN 16
 12 bars at 65°C (175 psig at 150°F)
 10 bars at 121°C (140 psig at 250°F)

PN 25
 20 bars at 65°C (300 psig at 150°F)
 17 bars at 121°C (250 psig at 250°F)

- Tolerance of ±3 mm (±0.125") should be used
- For exact installation, data please write factory for certified dimensions
- Pump equipped with casing drain plug and ¼" NPT suction and discharge gauge ports.
- See performance curves on page 3

OPTIONAL EQUIPMENT

FLUID TYPE	ALL GLYCOLS > 30% WT CONC		ALL OTHER NON-POTABLE FLUIDS		POTABLE (DRINKING) WATER	
	up to 93°C (200°F)	over 93°C (200°F)	up to 93°C (200°F)	over 93°C (200°F)	up to 93°C (200°F)	over 93°C (200°F)
Rotating face	Silicone carbide		Resin bonded carbon	Antimony loaded carbon	Resin bonded carbon	
Seat elastomer	EPDM (L-cup)	EPDM (O-ring)	EPDM (L-cup)	EPDM (O-ring)	EPDM (L-cup)	EPDM (O-ring)
Material code	SCsc L EPSS 2A	SCsc O EPSS 2A	C-SC L EPSS 2A	ACsc O EPSS 2A	C-SC L EPSS 2A	C-SC O EPSS 2A

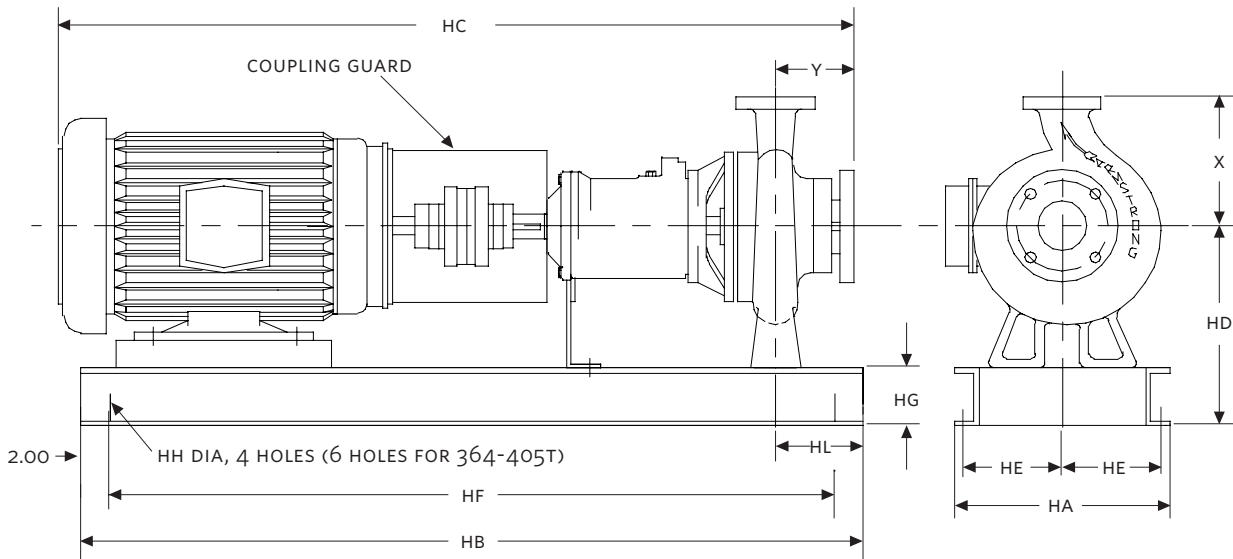
MOTOR	MOTOR kW @ RPM		FULL LOAD CURRENT (A)	STARTING CURRENT (A)		DIMENSIONS mm(INCHES)								WEIGHT*
	TEFC			STAR DELTA (SD)	DIRECT ON LINE (DOL)	HA	HB	HC	HD	HE	HF	HG	HL	
	3000	1500												380-415V
90S	—	1.1	2.5	—	12.6	356 (14.00)	762 (30.00)	650 (25.60)	286 (11.25)	162 (6.38)	660 (26.00)	76 (3.00)	114 (4.50)	103.0 (227)
90L	—	1.5	3.33	—	18.6	356 (14.00)	762 (30.00)	697 (27.44)	286 (11.25)	162 (6.38)	660 (26.00)	76 (3.00)	114 (4.50)	106.0 (234)
100L	—	2.2	4.82	—	26.5	356 (14.00)	838 (33.00)	739 (29.08)	286 (11.25)	162 (6.38)	737 (29.00)	76 (3.00)	114 (4.50)	114.5 (252)
100L	—	3	6.40	—	37.1	356 (14.00)	838 (33.00)	739 (29.08)	286 (11.25)	162 (6.38)	737 (29.00)	76 (3.00)	114 (4.50)	117.0 (258)
132S	7.5	—	14.5	36.3	118.9	356 (14.00)	838 (33.00)	856 (33.69)	286 (11.25)	162 (6.38)	737 (29.00)	76 (3.00)	114 (4.50)	147.0 (324)
160M	11	—	21.1	52.8	164.6	406 (16.00)	1143 (45.00)	1081 (42.57)	286 (11.25)	187 (7.38)	1041 (41.00)	76 (3.00)	114 (4.50)	188.0 (414)
160M	15	—	28.5	74.1	228.0	406 (16.00)	1143 (45.00)	1081 (42.57)	286 (11.25)	187 (7.38)	1041 (41.00)	76 (3.00)	114 (4.50)	196.0 (432)
160L	18.5	—	34.9	94.2	303.6	406 (16.00)	1143 (45.00)	1096 (43.16)	286 (11.25)	187 (7.38)	1041 (41.00)	76 (3.00)	114 (4.50)	208.0 (459)
180M	22	—	40.9	114.52	368.1	483 (19.00)	1219 (48.00)	1081 (42.57)	311 (12.25)	225 (8.88)	1118 (44.00)	102 (4.00)	114 (4.50)	248.0 (547)

*Assembly weight combines pump and motor.

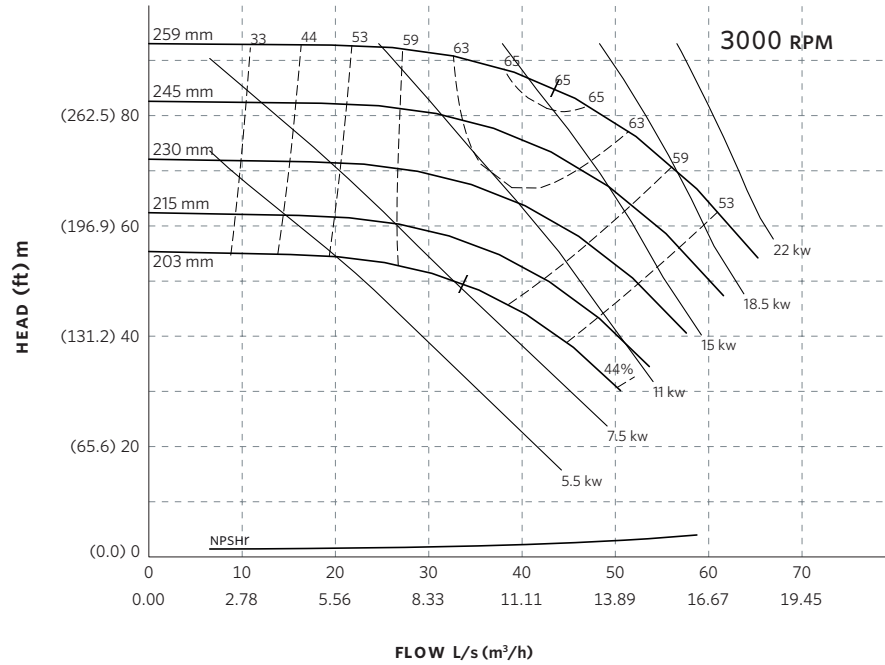
PUMP DIMENSIONS

mm (inches)

X	Y
216 (8.50)	102 (4.00)



SERIES 4030 PERFORMANCE CURVES



Curve number
PT45-2-0-3000

Series
4030
4280

Size
40-250A

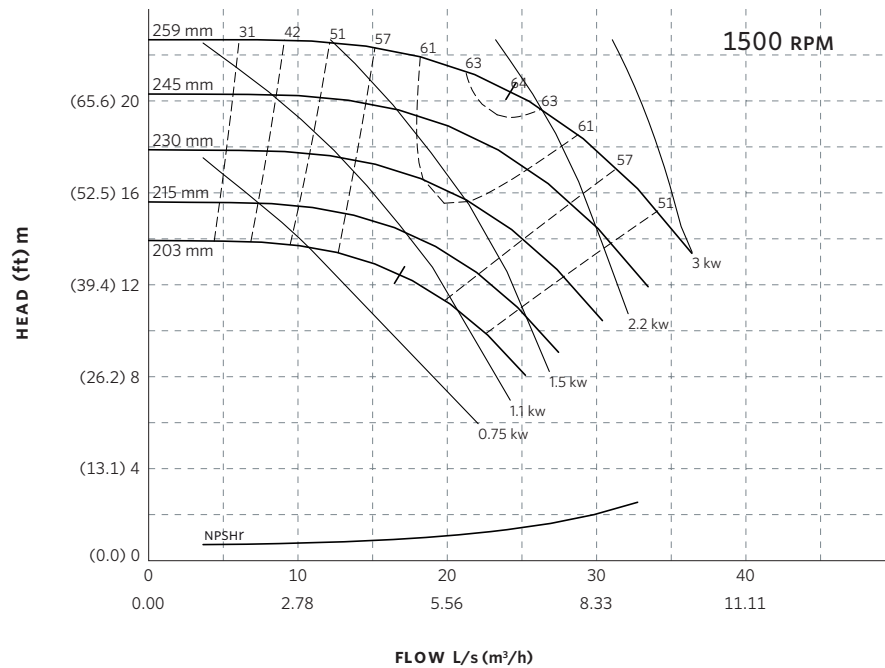
RPM
3000

BHP based on shown
Fluid's sp. gr.

Availability
4030 all ratings
4280 all ratings

Performance
guaranteed only at
operating point
indicated.

Curve shown for
clear, cold water
- SP. GR. 1.000



Curve number
PT44-2-0-1500

Series
4030
4280

Size
40-250A

RPM
1500

kwa based on shown
Fluid's sp. gr.

Availability
4030 all ratings
4280 all ratings

Performance
guaranteed only at
operating point
indicated.

Curve shown for
clear, cold water
- SP. GR. 1.000

Performance curves are for reference only.
Confirm current performance data with Armstrong ACE Online selection software.

TORONTO

23 BERTRAND AVENUE
TORONTO, ONTARIO
CANADA
M1L 2P3
+1 416 755 2291

BUFFALO

93 EAST AVENUE
NORTH TONAWANDA, NEW YORK
U.S.A.
14120-6594
+1 716 693 8813

BIRMINGHAM

HEYWOOD WHARF, MUCKLOW HILL
HALESOWEN, WEST MIDLANDS
UNITED KINGDOM
B62 8DJ
+44 (0) 8444 145 145

MANCHESTER

WOLVERTON STREET
MANCHESTER
UNITED KINGDOM
M11 2ET
+44 (0) 8444 145 145

BANGALORE

#59, FIRST FLOOR, 3RD MAIN
MARGOSA ROAD, MALLESWARAM
BANGALORE, INDIA
560 003
+91 (0) 80 4906 3555

SHANGHAI

NO. 1619 HU HANG ROAD, XI DU TOWNSHIP
FENG XIAN DISTRICT, SHANGHAI
P.R.C.
201401
+86 21 3756 6696