

## SERIES 4030 | END SUCTION BASE MOUNTED SPLIT COUPLED | 6 × 5 × 13H | SUBMITTAL

File No: 40.756  
Date: NOV. 26, 2014  
Supersedes: 40.756  
Date: OCT. 15, 2013

Job: \_\_\_\_\_ Representative: \_\_\_\_\_

Order no.: \_\_\_\_\_ Date: \_\_\_\_\_

Engineer: \_\_\_\_\_ Submitted by: \_\_\_\_\_ Date: \_\_\_\_\_

Contractor: \_\_\_\_\_ Approved by: \_\_\_\_\_ Date: \_\_\_\_\_

### PUMP DESIGN DATA

No. of pumps: \_\_\_\_\_ Tag: \_\_\_\_\_  
Capacity: \_\_\_\_\_ USgpm (L/s) Head: \_\_\_\_\_ ft (m)  
Liquid: \_\_\_\_\_ Viscosity: \_\_\_\_\_  
Temperature: \_\_\_\_\_ °F (°C) Specific gravity: \_\_\_\_\_  
Suction: 6" (150mm) Lugged  
Discharge: 5" (125mm) Flanged

### MATERIALS OF CONSTRUCTION

ANSI FLANGE RATING	ANSI 125	ANSI 250
Construction	<input type="checkbox"/> BF	<input type="checkbox"/> DBF
Casing	Cast iron	Ductile iron

**Impeller:** Bronze  
**Gasket:** Confined non-asbestos fiber  
**Bearing frame:** Cast iron  
**Anti-friction bearings:** Permanently lubricated  
**Shaft:** Carbon steel  
**Shaft sleeve:** Stainless steel  
**Coupler:** Constant speed: Woods sure-flex or equal  
Variable speed: Woods dura-flex or equal  
**Coupler guard:** Steel OSHA  
**Baseplate:** Fabricated steel

### MECHANICAL SEAL DATA

**Seal type:** 2A      **Stationary seat:** Silicone carbide  
**Secondary seal:** EPDM      **Rotating hardware:** Stainless steel  
**Spring:** Stainless steel

### MOTOR DESIGN DATA

HP: \_\_\_\_\_ RPM: \_\_\_\_\_ Frame size: \_\_\_\_\_ Enclosure: \_\_\_\_\_  
Volts: \_\_\_\_\_ Hertz: 60 Hz      Phase: 3  
Efficiency\*:  NEMA premium 12.12       Other \_\_\_\_\_ %

\* Fractional power and frame 56 motors are supplied with the standard efficiency of the manufacturer.

### MAXIMUM PUMP OPERATING CONDITIONS

#### ANSI 125

175 psig at 150°F (12 bars at 65°C)  
140 psig at 250°F (10 bars at 121°C)

#### ANSI 250

300 psig at 150°F (20 bars at 65°C)  
250 psig at 250°F (17 bars at 121°C)

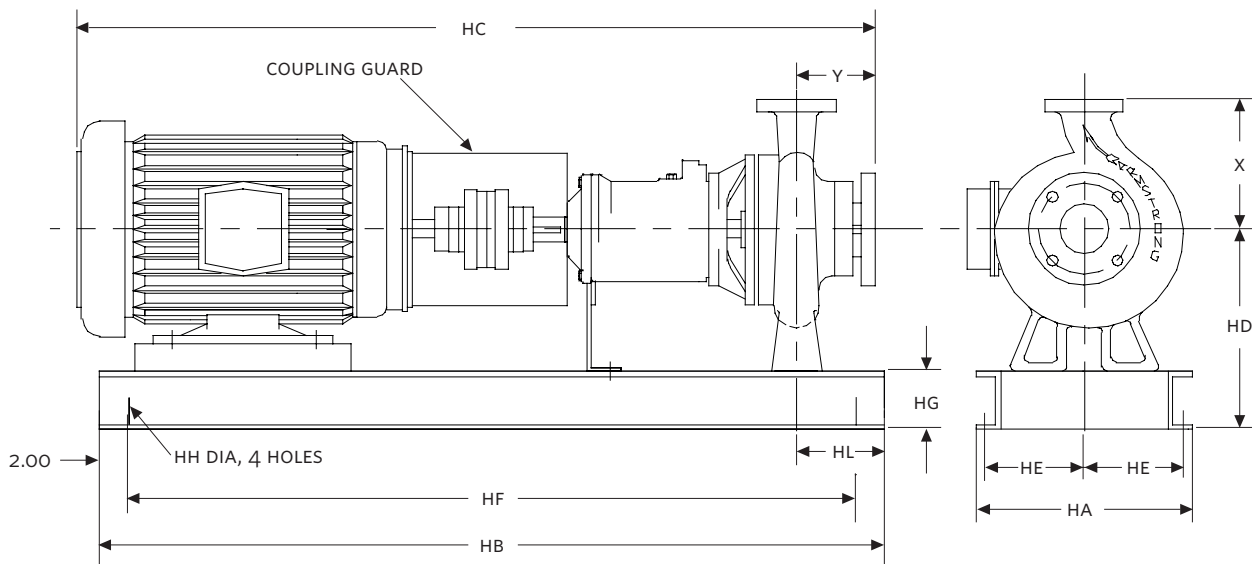
- Tolerance of ±0.125" (±3 mm) should be used
- See performance curves on page 3
- For exact installation, data please write factory for certified dimensions
- Pump equipped with casing drain plug and ¼" NPT suction and discharge gauge ports

### OPTIONAL EQUIPMENT

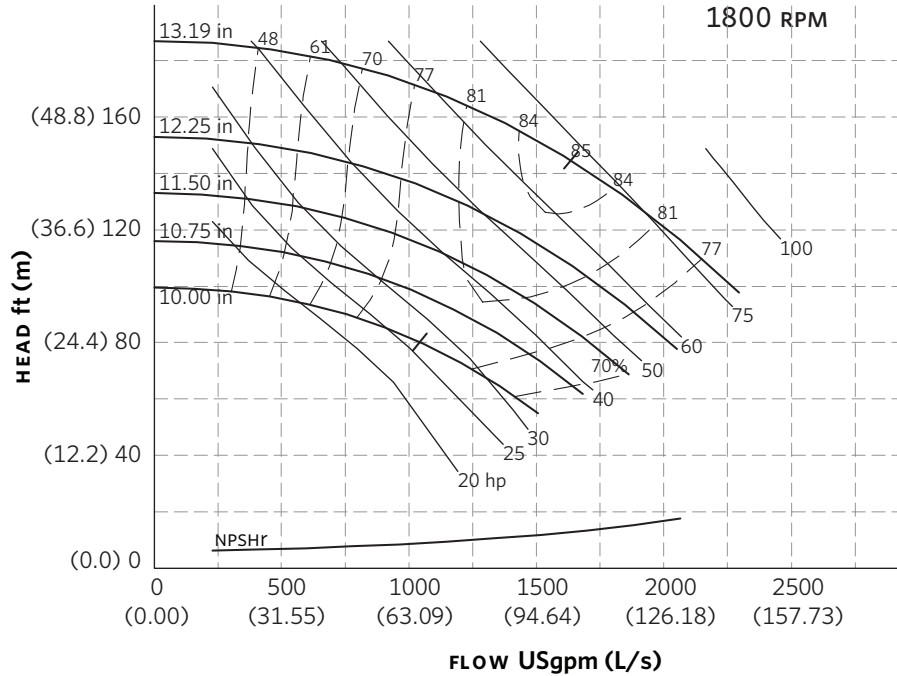
FLUID TYPE	ALL GLYCOLS > 30% WT CONC		ALL OTHER NON-POTABLE FLUIDS		POTABLE (DRINKING) WATER	
	up to 200°F (93°C)	over 200°F (93°C)	up to 200°F (93°C)	over 200°F (93°C)	up to 200°F (93°C)	over 200°F (93°C)
Rotating face	Silicone carbide		Resin bonded carbon	Antimony loaded carbon	Resin bonded carbon	
Seat elastomer	EPDM (L-cup)	EPDM (O-ring)	EPDM (L-cup)	EPDM (O-ring)	EPDM (L-cup)	EPDM (O-ring)
Material code	SCSc L EPSS 2A	SCSc O EPSS 2A	C-SC L EPSS 2A	ACSc O EPSS 2A	C-SC L EPSS 2A	C-SC O EPSS 2A

MOTOR	HORSEPOWER @ RPM		1200	MAX. DIMENSIONS INCHES (mm)											MAX. ASSEMBLY WEIGHT*	
	1800			HA	HB	HC	HD	HE	HF	HG	HH	HL	X	Y	lbs (kgs)	
	ODP	TEFC													ODP	TEFC
256TC	—	—	10	19.00 (483)	48.00 (1219)	45.36 (1152)	15.00 (381)	7.38 (187)	44.00 (1118)	4.00 (102)	0.75 (19)	6.00 (152)	14.00 (356)	5.51 (140)	643 (291.7)	693 (314.4)
284TC	—	—	15	19.00 (483)	48.00 (1219)	48.48 (1231)	15.00 (381)	8.88 (226)	44.00 (1118)	4.00 (102)	0.75 (19)	6.00 (152)	14.00 (356)	5.51 (140)	693 (314.4)	733 (332.6)
286TC	30	30	20	19.00 (483)	48.00 (1219)	48.48 (1231)	15.00 (381)	8.88 (226)	44.00 (1118)	4.00 (102)	0.75 (19)	6.00 (152)	14.00 (356)	5.51 (140)	713 (323.5)	753 (341.7)
324TC	40	40	25	19.00 (483)	48.00 (1219)	51.49 (1308)	15.00 (381)	8.88 (226)	44.00 (1118)	4.00 (102)	0.75 (19)	6.00 (152)	14.00 (356)	5.51 (140)	868 (393.8)	1058 (480.0)
326TC	50	50	—	19.00 (483)	48.00 (1219)	51.49 (1308)	15.00 (381)	8.88 (226)	44.00 (1118)	4.00 (102)	0.75 (19)	6.00 (152)	14.00 (356)	5.51 (140)	898 (407.4)	1108 (502.7)
364TC	60	60	—	19.00 (483)	58.00 (1473)	53.66 (1363)	15.00 (381)	8.88 (226)	54.00 (1372)	4.00 (102)	0.75 (19)	6.00 (152)	14.00 (356)	5.51 (140)	1063 (482.3)	1223 (554.9)
365TC	75	75	—	19.00 (483)	58.00 (1473)	53.66 (1363)	15.00 (381)	8.88 (226)	54.00 (1372)	4.00 (102)	0.75 (19)	6.00 (152)	14.00 (356)	5.51 (140)	1083 (491.4)	1343 (609.3)
404TC	100	—	—	19.00 (483)	64.00 (1626)	58.75 (1492)	15.00 (381)	8.88 (226)	60.00 (1524)	4.00 (102)	0.75 (19)	6.00 (152)	14.00 (356)	5.51 (140)	1233 (559.4)	—
405TC	—	100	—	19.00 (483)	64.00 (1626)	58.75 (1492)	15.00 (381)	8.88 (226)	60.00 (1524)	4.00 (102)	0.75 (19)	6.00 (152)	14.00 (356)	5.51 (140)	—	1663 (754.5)

\*Assembly weight combines pump and motor.



SERIES 4030 PERFORMANCE CURVES



**Curve number**  
PT599-0-0-1800

**Series**  
4030  
4280

**Size**  
6 × 5 × 13H

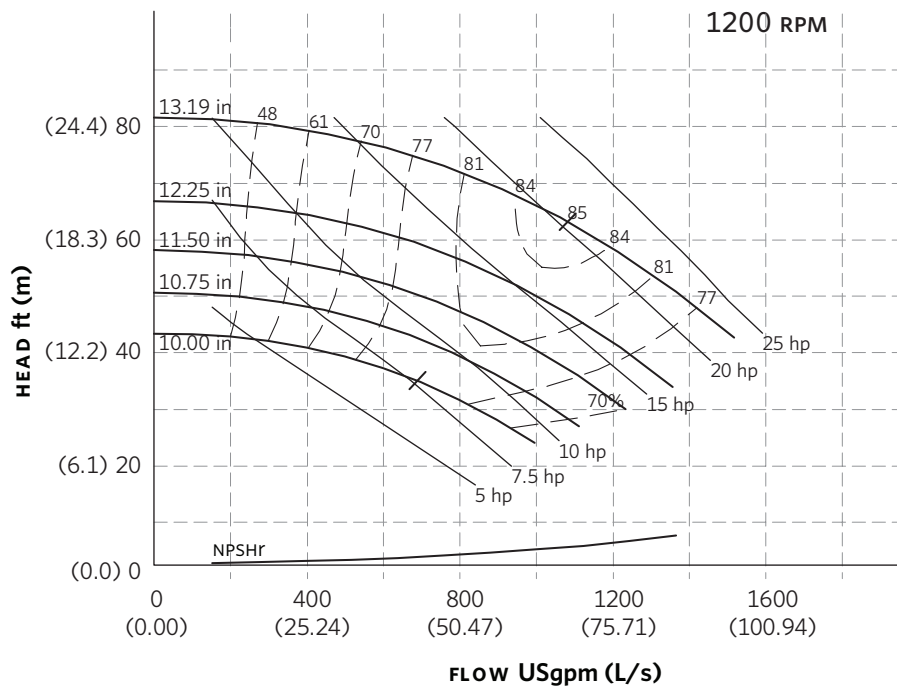
**RPM**  
1800

BHP based on shown  
Fluid's sp. gr.

**Availability**  
4030 all ratings  
4280 all ratings

Performance  
guaranteed only  
at operating point  
indicated.

Curve shown for  
clear, cold water  
- SP. GR. 1.0000



**Curve number**  
PT599-0-0-1170

**Series**  
4030  
4280

**Size**  
6 × 5 × 13H

**RPM**  
1200

BHP based on shown  
Fluid's sp. gr.

**Availability**  
4030 all ratings  
4280 all ratings

Performance  
guaranteed only  
at operating point  
indicated.

Curve shown for  
clear, cold water  
- SP. GR. 1.0000

Performance curves are for reference only.  
Confirm current performance data with Armstrong ACE Online selection software.

**TORONTO**

23 BERTRAND AVENUE  
TORONTO, ONTARIO  
CANADA  
M1L 2P3  
+1 416 755 2291

**BUFFALO**

93 EAST AVENUE  
NORTH TONAWANDA, NEW YORK  
U.S.A.  
14120-6594  
+1 716 693 8813

**BIRMINGHAM**

HEYWOOD WHARF, MUCKLOW HILL  
HALESOWEN, WEST MIDLANDS  
UNITED KINGDOM  
B62 8DJ  
+44 (0) 8444 145 145

**MANCHESTER**

WENLOCK WAY  
MANCHESTER  
UNITED KINGDOM  
M12 5JL  
+44 (0) 8444 145 145

**BANGALORE**

#59, FIRST FLOOR, 3RD MAIN  
MARGOSA ROAD, MALLESWARAM  
BANGALORE, INDIA  
560 003  
+91 (0) 80 4906 3555

**SHANGHAI**

NO. 1619 HU HANG ROAD, XI DU TOWNSHIP  
FENG XIAN DISTRICT, SHANGHAI  
P.R.C.  
201401  
+86 21 3756 6696

**MAKING  
ENERGY  
MAKE  
SENSE™**