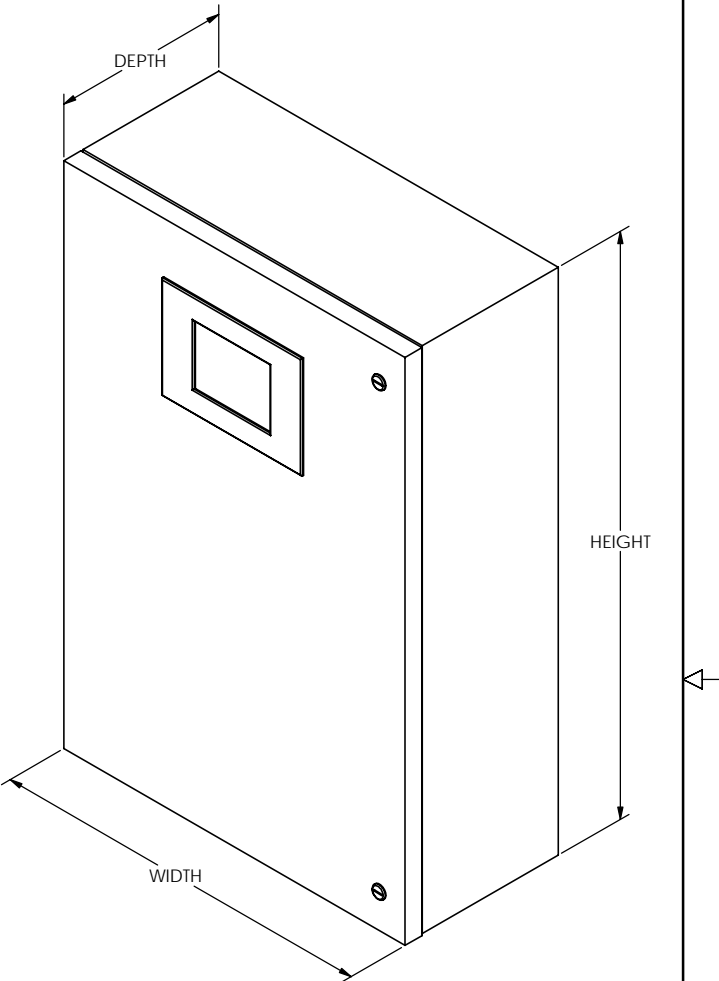



Duplex Booster VFD System - Control Enclosure Size				
THREE PHASE - 50/60 HERTZ				
Horsepower	208/230V	380V	460V	575V
1HP	24 x 20 x 9	24 x 20 x 9	24 x 20 x 9	24 x 20 x 9
1.5HP	30 x 20 x 9	24 x 20 x 9	24 x 20 x 9	30 x 20 x 9
2HP	30 x 20 x 9	24 x 20 x 9	24 x 20 x 9	30 x 20 x 9
3HP	30 x 20 x 9	30 x 20 x 9	30 x 20 x 9	30 x 20 x 9
5HP	30 x 20 x 9	30 x 20 x 9	30 x 20 x 9	30 x 20 x 9
7.5HP	30 x 20 x 9	30 x 20 x 9	30 x 20 x 9	30 x 20 x 9
10HP	36 x 30 x 11	30 x 20 x 9	30 x 20 x 9	30 x 20 x 9
15HP	36 x 30 x 11	30 x 20 x 9	30 x 20 x 9	30 x 20 x 9
20HP	42 x 36 x 11	36 x 30 x 11	36 x 30 x 11	30 x 20 x 9
25HP	42 x 36 x 11	36 x 30 x 11	36 x 30 x 11	36 x 30 x 11
30HP	60 x 36 x 12	36 x 30 x 11	36 x 30 x 11	36 x 30 x 11

Triplex Booster VFD System - Control Enclosure Size				
THREE PHASE - 50/60 HERTZ				
Horsepower	208/230V	380V	460V	575V
1HP	24 x 20 x 9	24 x 20 x 9	24 x 20 x 9	24 x 20 x 9
1.5HP	30 x 30 x 9	24 x 20 x 9	24 x 20 x 9	30 x 30 x 9
2HP	30 x 30 x 9	24 x 20 x 9	24 x 20 x 9	30 x 30 x 9
3HP	30 x 30 x 9	30 x 30 x 9	30 x 30 x 9	30 x 30 x 9
5HP	30 x 30 x 9	30 x 30 x 9	30 x 30 x 9	30 x 30 x 9
7.5HP	30 x 30 x 9	30 x 30 x 9	30 x 30 x 9	30 x 30 x 9
10HP	42 x 36 x 11	30 x 30 x 9	30 x 30 x 9	30 x 30 x 9
15HP	42 x 36 x 11	30 x 30 x 9	30 x 30 x 9	30 x 30 x 9
20HP	48 x 36 x 13	42 x 36 x 11	42 x 36 x 11	30 x 30 x 9
25HP	60 x 36 x 13	42 x 36 x 11	42 x 36 x 11	42 x 36 x 11
30HP	72 x 36 x 13	42 x 36 x 13	42 x 36 x 13	42 x 36 x 13



- NOTES:
1. DIMENSIONS ARE IN INCHES AND GIVEN AS HEIGHT X WIDTH X DEPTH
 2. (2X) MEANS THERE WILL BE TWO PANEL SUPPLIED FOR THIS REQUEST.

DRAWN BY	SP	DATE	11/21/03	 ARMSTRONG PUMPS INC. NORTH TONAWANDA, NY 14120
CHECK	GB	DATE	06/07/04	
ENGINEERING				
QUALITY ASSURANCE				
MANUFACTURING				DRAWING TITLE DUPLEX & TRIPLEX VFD CONTROL ENCLOSURE SIZE
		SIZE	C	DRAWING NUMBER 2400-000
		SCALE:	NTS	REV. C
		WEIGHT:		SHEET: 1 OF 1