

Series 4700 Vertical Multistage Pump

VMS 30

SUBMITTAL



JOB: _____ REPRESENTATIVE: _____

ENGINEER: _____ ORDER NO: _____ DATE: _____

CONTRACTOR: _____ SUBMITTED BY: _____ DATE: _____

APPROVED BY: _____ DATE: _____

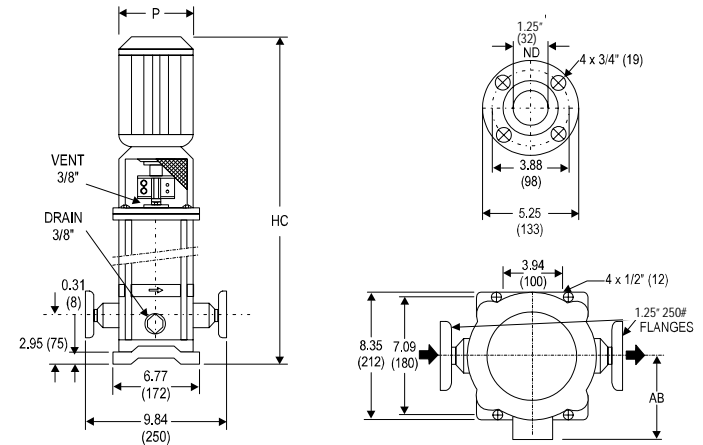
| PUMP DESIGN DATA | | | |
|------------------|-------------------|-------------------|--------|
| NO. OF PUMPS: | | | |
| TAG: | | | |
| CAPACITY: | USgpm (L/s, m³/h) | HEAD: | ft.(m) |
| LIQUID: | WATER | VISCOSITY: | 1 cps |
| TEMPERATURE: | 60 °F (16°C) | SPECIFIC GRAVITY: | 1.0 |

| MOTOR DESIGN DATA | | | |
|-------------------|--|--|--|
| HP: | RPM: 3600 | | |
| FRAME SIZE: | ENCLOSURE: <input type="checkbox"/> ODP <input type="checkbox"/> TEFC | | |
| VOLTS: | HERTZ : 60 PHASE: | | |
| EFFICIENCY:Ⓞ | <input type="checkbox"/> STANDARD <input type="checkbox"/> PREMIUM LEVEL % | | |
| FLANGE SIZE: | SUCTION: 1.25" (32mm) DISCHARGE: 1.25" (32mm) | | |

| MATERIALS OF CONSTRUCTION | |
|--|--------------------------|
| ANSI FLANGE RATING | 300 LBS STAINLESS STEEL |
| WETTED PARTS <input type="checkbox"/> AISI 304 ST. STL. <input type="checkbox"/> AISI 316 ST. STL. | |
| PUMP CASING | AISI 316 STAINLESS STEEL |
| IMPELLERS | STAINLESS STEEL |
| STAGE CASING | STAINLESS STEEL |
| DIFFUSERS | STAINLESS STEEL |
| PUMP SHAFT | AISI 316 STAINLESS STEEL |
| JACKET TUBE | STAINLESS STEEL |
| OTHER COMPONENTS | |
| INTERMEDIATE BEARING | TUNGSTEN CARBIDE |
| "O" RINGS | EPDM |
| MOTOR PEDESTAL | CAST IRON |
| PUMP BASE | CAST IRON |
| MECHANICAL SEAL FACES | CARBON & SILICON CARBIDE |

| MAXIMUM PUMP OPERATING CONDITIONS | |
|-----------------------------------|-------------------|
| MAXIMUM WORKING PRESSURE | 350 psig (24 bar) |
| MAXIMUM WORKING TEMPERATURE | 250°F (120°C) |

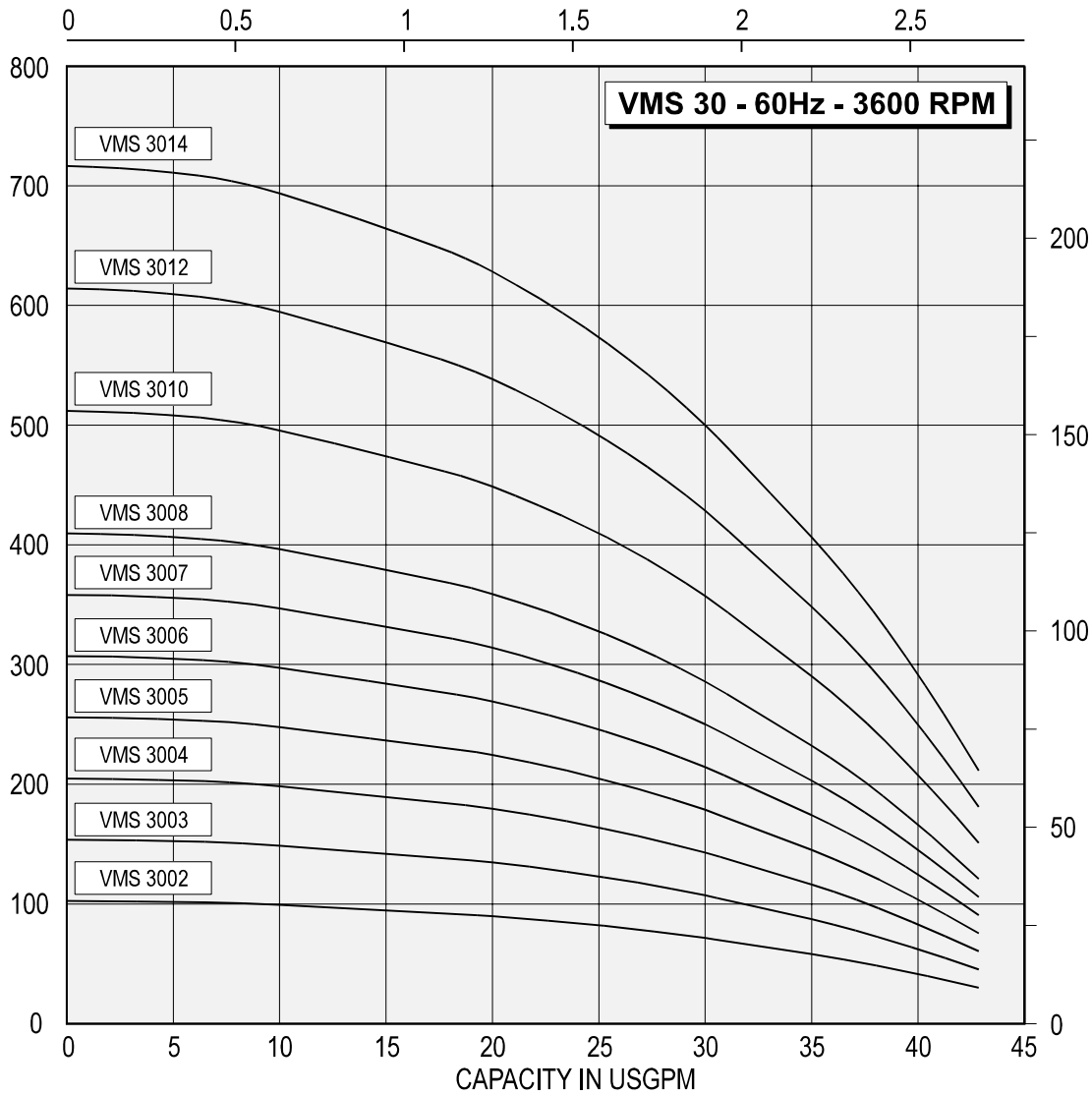
| REMARKS | |
|-----------------|--|
| Ⓞ CANADA ONLY : | <input type="checkbox"/> NRCan <input type="checkbox"/> NRCan 'PLUS' |



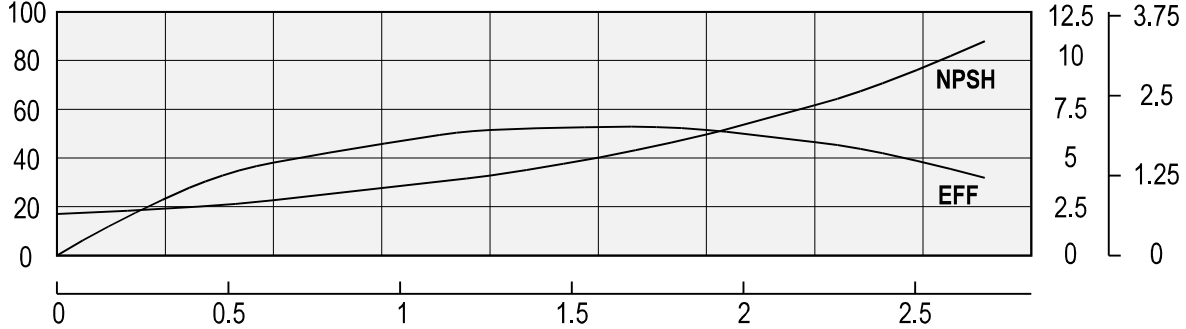
| PUMP SIZE | hp | PHASE | | ENCLOSURE | | NEMA FRAME | DIMENSIONS | | | WEIGHT lbs. (kg) |
|-----------|-----|-------|---|-----------|------|------------|--------------|-------------|------------|---------------------|
| | | 1 | 3 | ODP | TEFC | | HC | P | AB | |
| VMS3002 | 1 | 1 | 3 | ODP | TEFC | 56C | 23.18 (589) | 7.25 (184) | 6.50 (165) | 48 (21.8) |
| VMS3003 | 1.5 | 1 | 3 | ODP | TEFC | 143TC | 24.57 (624) | 8.63 (219) | 4.13 (105) | 59 (26.7) |
| VMS3004 | 2 | 1 | 3 | ODP | TEFC | 145TC | 25.52 (648) | 8.63 (219) | 4.13 (105) | 68 (31.1) |
| VMS3005 | 3 | 1 | 3 | ODP | TEFC | 182TC | 29.34 (745) | 10.38 (264) | 6.84 (174) | 93 (42.1) |
| | | | | | | | 26.46 (672) | 8.63 (219) | 4.13 (105) | 75 (33.9) |
| | | | | | | | 29.22 (742) | 9.56 (243) | 7.50 (191) | 87 (39.4) |
| VMS3006 | 3 | 1 | 3 | ODP | TEFC | 182TC | 30.68 (779) | 10.38 (264) | 6.84 (174) | 97 (44.2) |
| | | | | | | | 27.80 (706) | 8.63 (219) | 4.13 (105) | 79 (36.0) |
| | | | | | | | 30.56 (776) | 9.56 (243) | 7.50 (191) | 91 (41.5) |
| VMS3007 | 5 | 1 | 3 | ODP | TEFC | 184TC | 31.62 (803) | 10.38 (264) | 6.84 (174) | 105 (47.6) |
| | | | | | | | 31.62 (803) | 10.38 (264) | 6.84 (174) | 107 (48.5) |
| | | | | | | | 31.50 (800) | 9.56 (243) | 7.50 (191) | 108 (49.0) |
| VMS3008 | 5 | 1 | 3 | ODP | TEFC | 184TC | 32.57 (827) | 10.38 (264) | 6.84 (174) | 106 (48.2) |
| | | | | | | | 32.57 (827) | 10.38 (264) | 6.84 (174) | 108 (49.1) |
| | | | | | | | 32.45 (824) | 9.56 (243) | 7.50 (191) | 109 (49.6) |
| VMS3010 | 5 | 1 | 3 | ODP | TEFC | 184TC | 34.46 (875) | 10.68 (271) | 6.84 (174) | 109 (49.4) |
| | | | | | | | 34.46 (875) | 10.68 (271) | 6.84 (174) | 111 (50.3) |
| | | | | | | | 34.34 (872) | 9.56 (243) | 7.50 (191) | 112 (50.8) |
| VMS3012 | 7.5 | 3 | 3 | ODP | TEFC | 184TC | 36.74 (933) | 10.38 (264) | 6.84 (174) | 120 (54.5) |
| | | | | | | | 36.96 (933) | 11.25 (286) | 8.25 (210) | 142 (64.5) |
| VMS3014 | 7.5 | 3 | 3 | ODP | TEFC | 213TC | 38.59 (980) | 10.38 (264) | 6.84 (174) | 123 (55.7) |
| | | | | | | | 41.21 (1047) | 11.25 (286) | 8.25 (210) | 145 (65.7) |

All dimensions are in inches (mm) and are approximate. (Use tolerance of +/- 0.125"/+/-3mm)
 All dimensions and weights are, typically, maximum for the motor range shown.
 For exact dimensions contact the factory.

CAPACITY IN LITERS PER SECOND



CAPACITY IN CUBIC METERS PER HOUR



CAPACITY IN LITERS PER SECOND

Armstrong Pumps Inc.
93 East Avenue
North Tonawanda, New York
U.S.A. 14120-6594
Tel: (716) 693-8813
Fax: (716) 693-8970

S.A. Armstrong Limited
23 Bertrand Avenue
Toronto, Ontario
Canada, M1L 2P3
Tel: (416) 755-2291
Fax: (416) 759-9101



Armstrong Pumps Limited
Peartree Road, Stanway
Colchester, Essex
United Kingdom, CO3 0LP
Tel: +44 (0) 1206 579491
Fax: +44 (0) 1206 760532

Armstrong Darling
9001 De L'Innovation, Suite 200
Montreal (Anjou), Quebec
Canada, H1J 2X9
Tel: (514) 352-2424
Fax: (514) 352-2425

