

Series 4700 Vertical Multistage Pump

VMS 15

SUBMITTAL



JOB: _____ REPRESENTATIVE: _____

ENGINEER: _____ ORDER NO: _____ DATE: _____

CONTRACTOR: _____ SUBMITTED BY: _____ DATE: _____

APPROVED BY: _____ DATE: _____

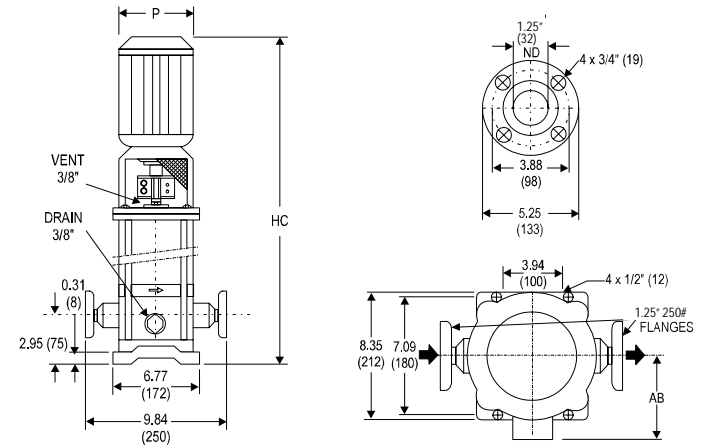
PUMP DESIGN DATA			
NO. OF PUMPS:			
TAG:			
CAPACITY:	USgpm (L/s, m³/h)	HEAD:	ft.(m)
LIQUID:	WATER	VISCOSITY:	1 cps
TEMPERATURE:	60 °F (16°C)	SPECIFIC GRAVITY:	1.0

MOTOR DESIGN DATA			
HP:	RPM: 3600		
FRAME SIZE:	ENCLOSURE: <input type="checkbox"/> ODP <input type="checkbox"/> TEFC		
VOLTS:	HERTZ : 60 PHASE:		
EFFICIENCY:⊙	<input type="checkbox"/> STANDARD <input type="checkbox"/> PREMIUM LEVEL %		
FLANGE SIZE:	SUCTION: 1.25" (32mm) DISCHARGE: 1.25" (32mm)		

MATERIALS OF CONSTRUCTION	
ANSI FLANGE RATING	300 LBS STAINLESS STEEL
WETTED PARTS <input type="checkbox"/> AISI 304 ST. STL. <input type="checkbox"/> AISI 316 ST. STL.	
PUMP CASING	AISI 316 STAINLESS STEEL
IMPELLERS	STAINLESS STEEL
STAGE CASING	STAINLESS STEEL
DIFFUSERS	STAINLESS STEEL
PUMP SHAFT	AISI 316 STAINLESS STEEL
JACKET TUBE	STAINLESS STEEL
OTHER COMPONENTS	
INTERMEDIATE BEARING	TUNGSTEN CARBIDE
"O" RINGS	EPDM
MOTOR PEDESTAL	CAST IRON
PUMP BASE	CAST IRON
MECHANICAL SEAL FACES	CARBON & SILICON CARBIDE

MAXIMUM PUMP OPERATING CONDITIONS	
MAXIMUM WORKING PRESSURE	350 psig (24 bar)
MAXIMUM WORKING TEMPERATURE	250°F (120°C)

REMARKS	
⊙ CANADA ONLY :	<input type="checkbox"/> NRCan <input type="checkbox"/> NRCan 'PLUS'

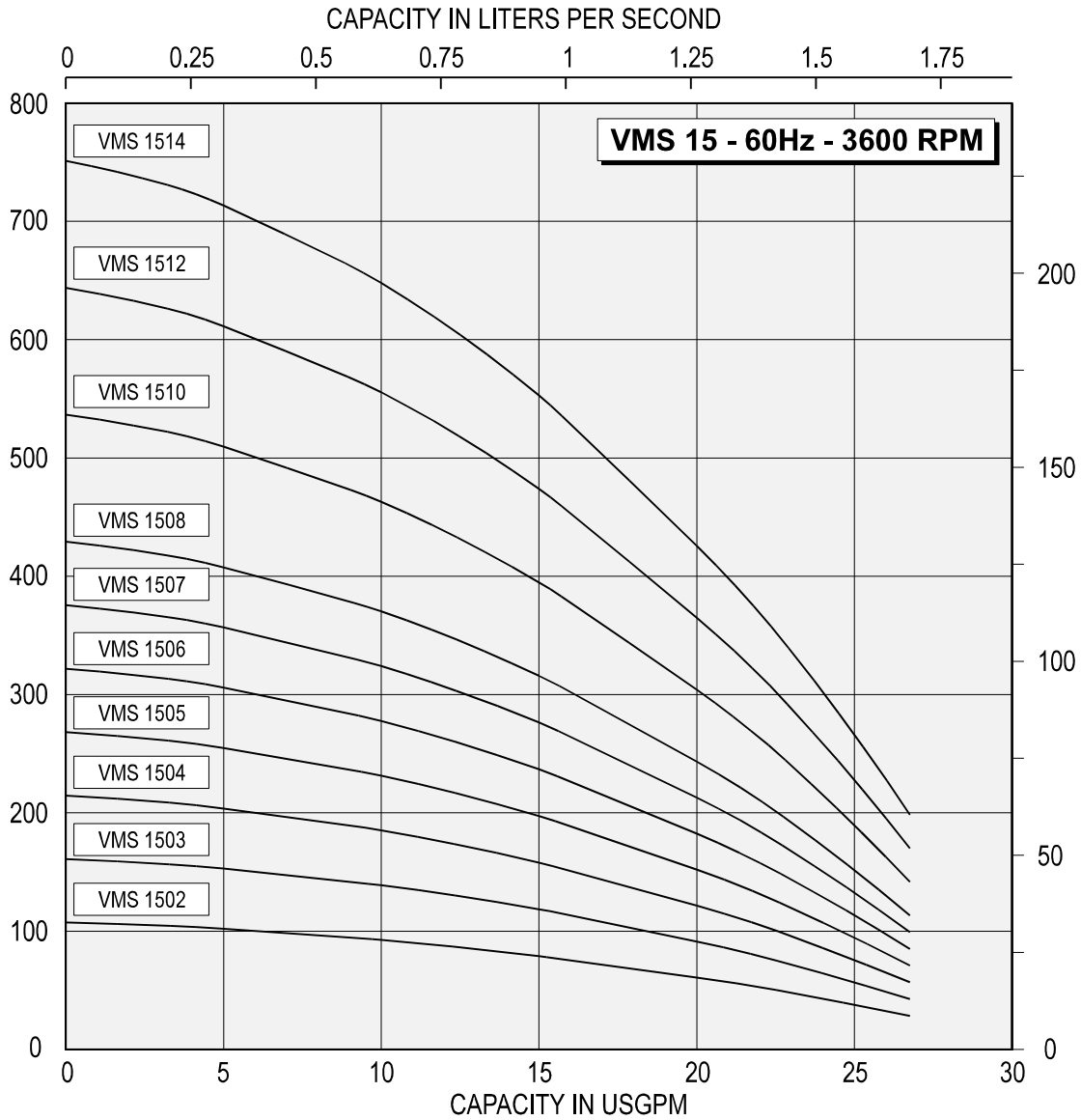


PUMP SIZE	hp	PHASE		ENCLOSURE		NEMA FRAME	DIMENSIONS			WEIGHT lbs. (kg)
		1	3	ODP	TEFC		HC	P	AB	
VMS1502	0.75	1	3	ODP	TEFC	56C	23.18 (589)	7.25 (184)	6.50 (165)	48 (21.8)
VMS1503	1	1	3	ODP	TEFC	56C	23.18 (589)	7.25 (184)	6.50 (165)	51 (23.1)
VMS1504	1.5	1	3	ODP	TEFC	143TC	27.41 (696)	8.63 (219)	4.13 (105)	60 (27.3)
VMS1505	2	1	3	ODP	TEFC	145TC	29.69 (754)	8.63 (219)	4.13 (105)	70 (31.6)
VMS1506	2	1	3	ODP	TEFC	145TC	29.69 (754)	8.63 (219)	4.13 (105)	71 (32.3)
VMS1507	3	1	3	ODP	TEFC	182TC	36.35 (923)	10.38 (264)	6.84 (174)	95 (43.3)
						145TC	33.47 (850)	8.63 (219)	4.13 (105)	77 (35.1)
						TEFC	36.23 (920)	9.56 (243)	7.50 (191)	89 (40.6)
VMS1508	3	1	3	ODP	TEFC	182TC	32.57 (827)	10.38 (264)	6.84 (174)	100 (45.4)
						145TC	29.69 (754)	8.63 (219)	4.13 (105)	82 (37.2)
						TEFC	32.45 (824)	9.56 (243)	7.50 (191)	94 (42.7)
VMS1510	5	1	3	ODP	TEFC	184TC	34.46 (875)	10.38 (264)	6.84 (174)	112 (50.8)
						182TC	34.46 (875)	10.38 (264)	6.84 (174)	111 (50.3)
						TEFC	34.34 (872)	9.56 (243)	7.50 (191)	112 (50.8)
VMS1512	5	1	3	ODP	TEFC	184TC	36.35 (923)	10.38 (264)	6.84 (174)	115 (52.0)
						182TC	36.35 (923)	10.38 (264)	6.84 (174)	114 (51.5)
						TEFC	36.23 (920)	9.56 (243)	7.50 (191)	115 (52.0)
VMS1514	7.5	3	3	ODP	TEFC	182TC	38.24 (971)	10.38 (264)	6.84 (174)	117 (53.2)
						213TC	39.69 (1008)	10.38 (264)	8.25 (210)	143 (64.9)

All dimensions are in inches (mm) and are approximate. (Use tolerance of +/- 0.125" [+/-3mm])
 All dimensions and weights are, typically, maximum for the motor range shown.
 For exact dimensions contact the factory.

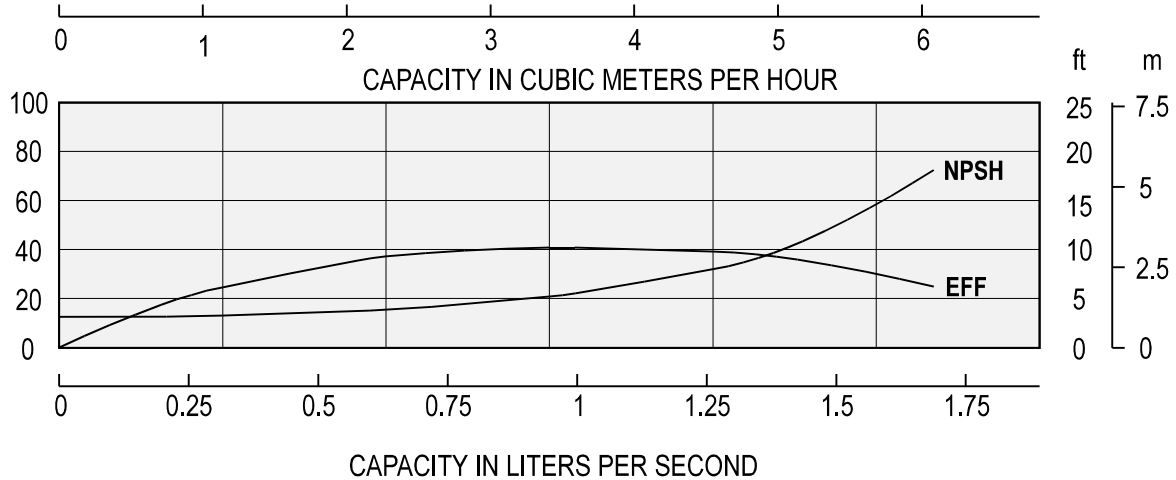
HEAD IN FEET

HEAD IN METERS



EFFICIENCY IN %

NPSHR



Armstrong Pumps Inc.
 93 East Avenue
 North Tonawanda, New York
 U.S.A. 14120-6594
 Tel: (716) 693-8813
 Fax: (716) 693-8970
www.armstrongpumps.com

S.A. Armstrong Limited
 23 Bertrand Avenue
 Toronto, Ontario
 Canada, M1L 2P3
 Tel: (416) 755-2291
 Fax: (416) 759-9101



© S.A. Armstrong Limited 2004

Armstrong Pumps Limited
 Peartree Road, Stanway
 Colchester, Essex
 United Kingdom, CO3 0LP
 Tel: +44 (0) 1206 579491
 Fax: +44 (0) 1206 760532

Armstrong Darling
 9001 De L'Innovation, Suite 200
 Montreal (Anjou), Quebec
 Canada, H1J 2X9
 Tel: (514) 352-2424
 Fax: (514) 352-2425

