

ARMflo E Series Circulators - Models E29/E29B

SUBMITTAL



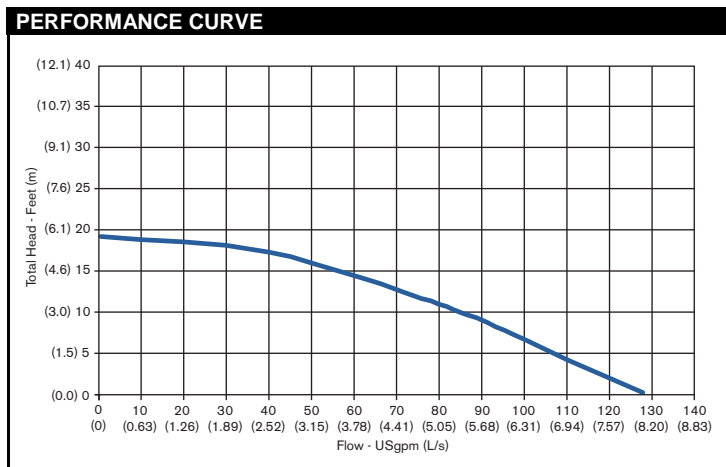
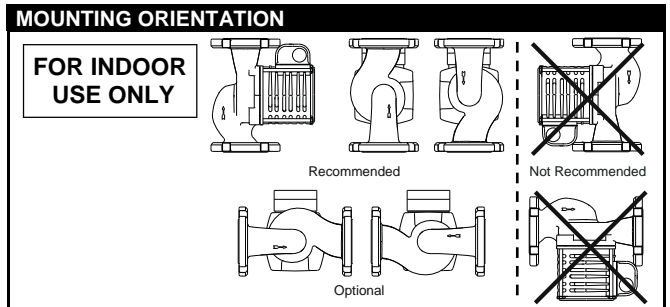
JOB/PROJECT: _____
 REPRESENTATIVE: _____
 ENGINEER: _____
 CONTRACTOR: _____
 ORDER NO: _____ DATE: _____
 SUBMITTED BY: _____ DATE: _____
 APPROVED BY: _____ DATE: _____

Quantity	TAG No.	Part No.	Flow (USgpm)	Head (feet)	Voltage	Phase	Comments

TECHNICAL DATA	
Flow Range	0 to 128.0 USgpm (0 to 8.1 L/s)
Head Range	0 to 19.0 feet (0 to 5.8 m)
Max. Fluid Temperature	230°F (110°C)
Max. Working Pressure	150 psi (1034 kPa)

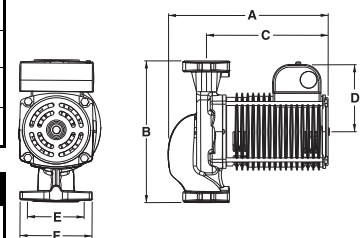
MOTOR DATA				
Nominal Power	2/5 hp (300 W)			
Voltage	120 V	208 V	240 V	277 V
Full Load Amp Draw	3.8 A	2.0 A	2.0 A	2.0 A
Frequency	60 Hz			
Motor Type	2 pole, Single Phase, ODP			
Speed	3400 rpm			

MATERIALS OF CONSTRUCTION			
Pump Body	Cast Iron (closed systems)	Bronze (open systems)	Lead Free Bronze*
Face Plate	Stainless Steel		
Impeller	30% Glass-filled Noryl		
Shaft	Stainless Steel		
Bearings	Permanently lubricated Stainless Steel		
Volute Gasket	EPDM		
Seal	Silicon Carbide EnviroSeal c/w viton elastomer		



PART NUMBER		
	120 V	240 V
E29	180210-657	180210-616
E29B	180210-658	180210-617
E29B	180210LF-658	180210LF-617

E29/E29B ACCESSORIES	
3" Flange kits	Timer
Spool Pieces	Aquastat



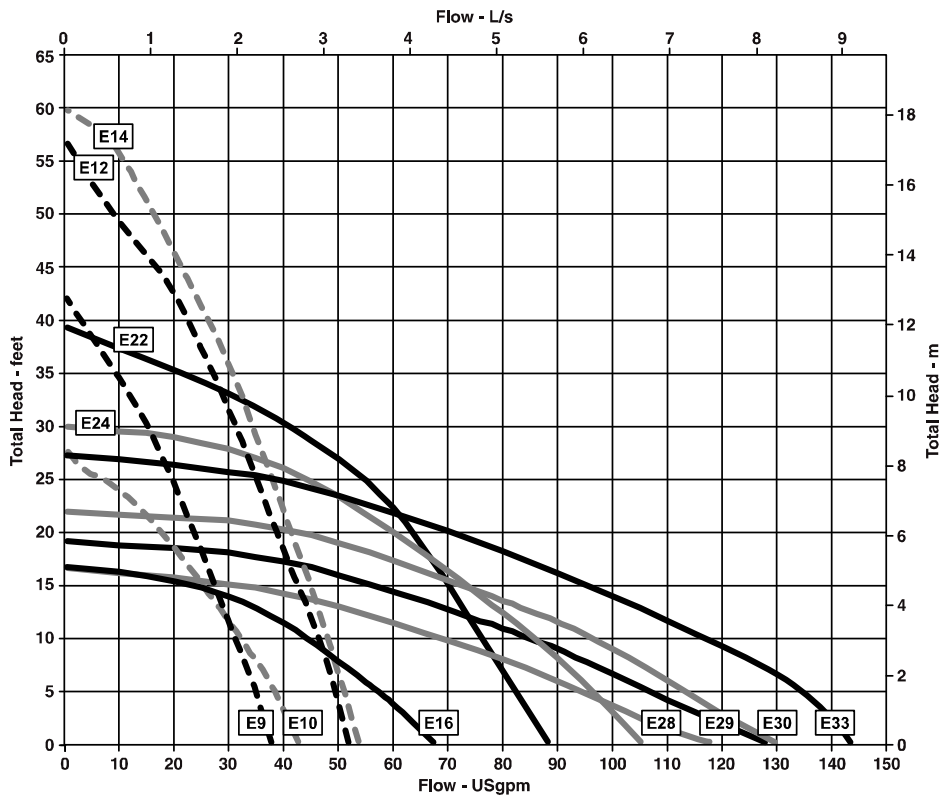
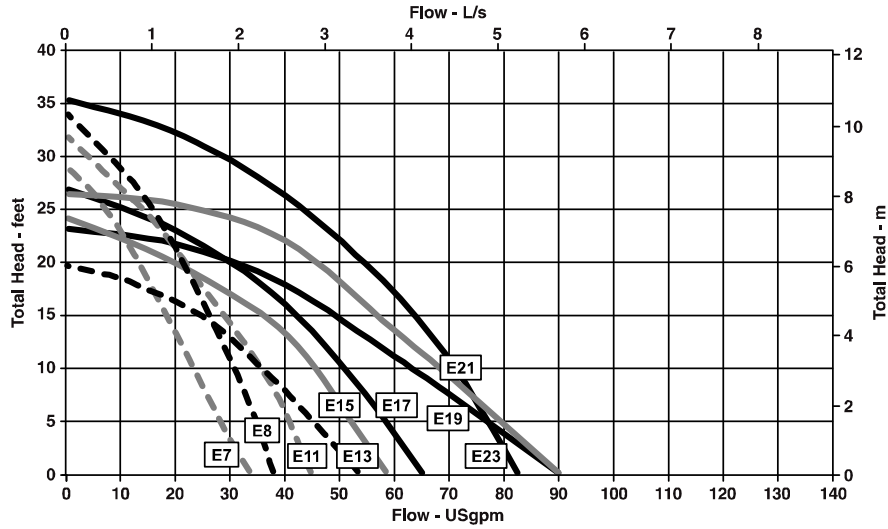
DIMENSIONS AND WEIGHTS									
Model	Body	A	B	C	D	E	F	Connection Type & Size	Shipping Weight
ARMflo E29	Cast Iron	10.6 (269)	8.5 (215)	7.6 (193)	4.0 (101)	3.5 (89)	6.0 (152)	3" diameter 4-bolt flanges	27.7 (12.6)
ARMflo E29B	Bronze /LF Bronze*	10.6 (269)	8.5 (215)	7.6 (193)	4.0 (101)	3.5 (89)	6.0 (152)	3" diameter 4-bolt flanges	27.7 (12.6)

Note: All dimensions are in inches (mm) and weights in lbs (kg)
 *Contains less than 0.25% lead, weighted average.



ARMflo E Series Circulators

COMPOSITE PERFORMANCE CURVES



S. A. Armstrong Limited
 23 Bertrand Avenue
 Toronto, Ontario
 Canada, M1L 2P3
 T: 416-755-2291
 F: 416-759-9101

Armstrong Pumps Inc.
 93 East Avenue
 North Tonawanda, New York
 U.S.A. 14120-6594
 T: 716-693-8813
 F: 716-693-8970

Armstrong Integrated Limited
 Wenlock Way
 Manchester
 United Kingdom, M12 5JL
 T: +44 (0) 8444 145 145
 F: +44 (0) 8444 145 146



© S.A. Armstrong Limited 2011