

## ARMflo E Series Circulators - Models E30/E30B

## SUBMITTAL



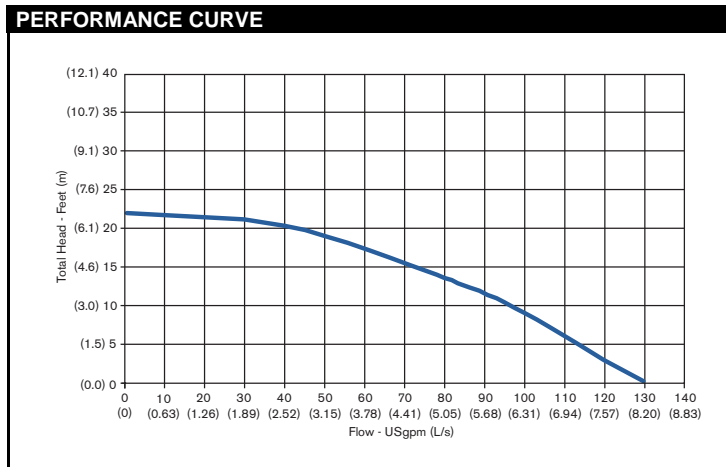
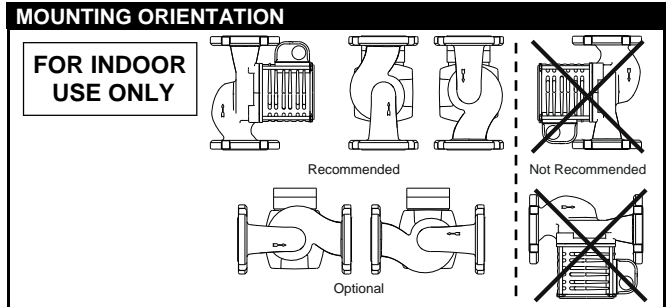
JOB/PROJECT: \_\_\_\_\_  
 REPRESENTATIVE: \_\_\_\_\_  
 ENGINEER: \_\_\_\_\_  
 CONTRACTOR: \_\_\_\_\_  
 ORDER NO: \_\_\_\_\_ DATE: \_\_\_\_\_  
 SUBMITTED BY: \_\_\_\_\_ DATE: \_\_\_\_\_  
 APPROVED BY: \_\_\_\_\_ DATE: \_\_\_\_\_

| Quantity | TAG No. | Part No. | Flow (USgpm) | Head (feet) | Voltage | Phase | Comments |
|----------|---------|----------|--------------|-------------|---------|-------|----------|
|          |         |          |              |             |         |       |          |
|          |         |          |              |             |         |       |          |

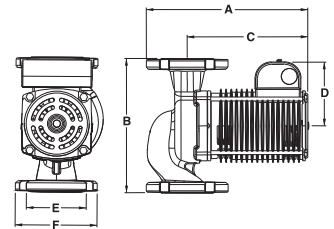
| TECHNICAL DATA         |                                 |
|------------------------|---------------------------------|
| Flow Range             | 0 to 130.0 USgpm (0 to 8.2 L/s) |
| Head Range             | 0 to 22.0 feet (0 to 6.7 m)     |
| Max. Fluid Temperature | 230°F (110°C)                   |
| Max. Working Pressure  | 150 psi (1034 kPa)              |

| MOTOR DATA         |                           |       |       |       |
|--------------------|---------------------------|-------|-------|-------|
| Nominal Power      | 2/5 hp (300 W)            |       |       |       |
| Voltage            | 120 V                     | 208 V | 240 V | 277 V |
| Full Load Amp Draw | 4.1 A                     | 2.4 A | 2.4 A | 2.4 A |
| Frequency          | 60 Hz                     |       |       |       |
| Motor Type         | 2 pole, Single Phase, ODP |       |       |       |
| Speed              | 3350 rpm                  |       |       |       |

| MATERIALS OF CONSTRUCTION |   |                       |                   |
|---------------------------|---|-----------------------|-------------------|
| Pump Body                 | Cast Iron (closed systems)                            | Bronze (open systems) | Lead Free Bronze* |
| Face Plate                | Stainless Steel                                       |                       |                   |
| Impeller                  | 30% Glass-filled Noryl                                |                       |                   |
| Shaft                     | Stainless Steel                                       |                       |                   |
| Bearings                  | Permanently lubricated Stainless Steel                |                       |                   |
| Volute Gasket             | EPDM  |                       |                   |
| Seal                      | Silicon Carbide <i>EnviroSeal</i> c/w viton elastomer |                       |                   |



| PART NUMBER |              |              |
|-------------|--------------|--------------|
|             | 120 V        | 240 V        |
| E30-2"      | 180210-645   | 180210-604   |
| E30B-2"     | 180210-646   | 180210-605   |
| E30B-2"     | 180210LF-646 | 180210LF-605 |
| E30-3"      | 180210-671   | 180210-630   |
| E30B-3"     | 180210-672   | 180210-631   |
| E30B-3"     | 180210LF-672 | 180210LF-631 |



| E30-2/E30B-2 ACCESSORIES |          |
|--------------------------|----------|
| 2" Flange kits           | Timer    |
| Spool Pieces             | Aquastat |

| E30-3/E30B-3 ACCESSORIES |          |
|--------------------------|----------|
| 3" Flange kits           | Timer    |
| Spool Pieces             | Aquastat |

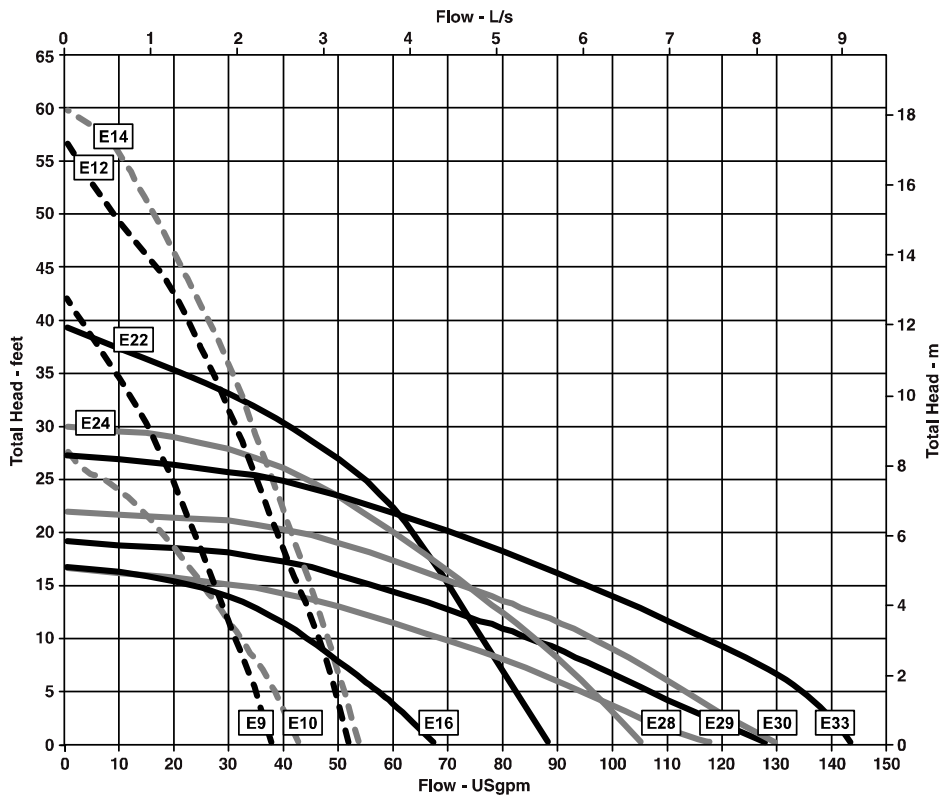
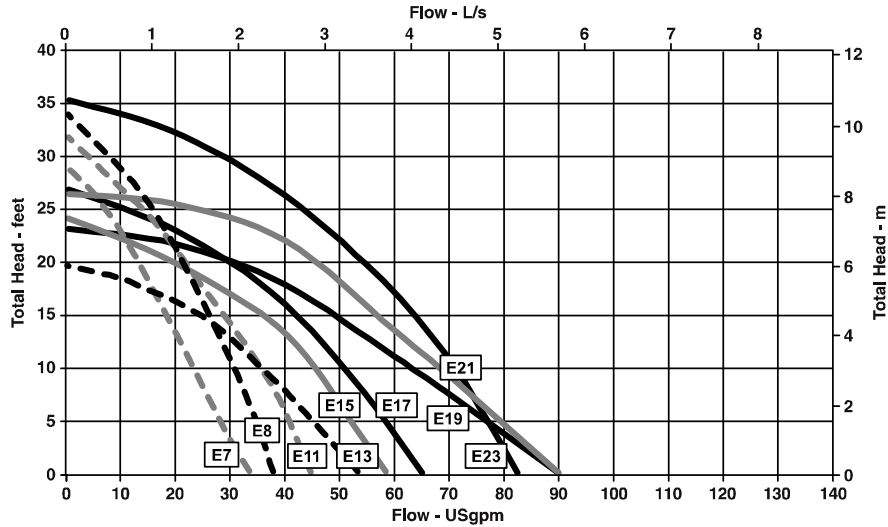
| DIMENSIONS AND WEIGHTS |                   |            |           |           |           |          |           |                            |                 |
|------------------------|-------------------|------------|-----------|-----------|-----------|----------|-----------|----------------------------|-----------------|
| Model                  | Body              | A          | B         | C         | D         | E        | F         | Connection Type & Size     | Shipping Weight |
| ARMflo E30-2"          | Cast Iron         | 10.2 (259) | 8.5 (215) | 7.6 (193) | 4.0 (101) | 2.9 (73) | 5.2 (131) | 2" diameter 4-bolt flanges | 23.1 (10.5)     |
| ARMflo E30B-2"         | Bronze/LF Bronze* |            |           |           |           |          |           |                            | 24.7 (11.2)     |
| ARMflo E30-3"          | Cast Iron         | 10.6 (269) | 8.5 (215) | 7.6 (193) | 4.0 (101) | 3.5 (89) | 6.0 (152) | 3" diameter 4-bolt flanges | 27.7 (12.6)     |
| ARMflo E30B-3"         | Bronze/LF Bronze* |            |           |           |           |          |           |                            | 27.7 (12.6)     |

Note: All dimensions are in inches (mm) and weights in lbs (kg)  
 \*Contains less than 0.25% lead, weighted average.



# ARMflo E Series Circulators

## COMPOSITE PERFORMANCE CURVES



S. A. Armstrong Limited  
 23 Bertrand Avenue  
 Toronto, Ontario  
 Canada, M1L 2P3  
 T: 416-755-2291  
 F: 416-759-9101

Armstrong Pumps Inc.  
 93 East Avenue  
 North Tonawanda, New York  
 U.S.A. 14120-6594  
 T: 716-693-8813  
 F: 716-693-8970

Armstrong Integrated Limited  
 Wenlock Way  
 Manchester  
 United Kingdom, M12 5JL  
 T: +44 (0) 8444 145 145  
 F: +44 (0) 8444 145 146



© S.A. Armstrong Limited 2011