

ARMflo E Series Circulators - Models E8/E8B

SUBMITTAL



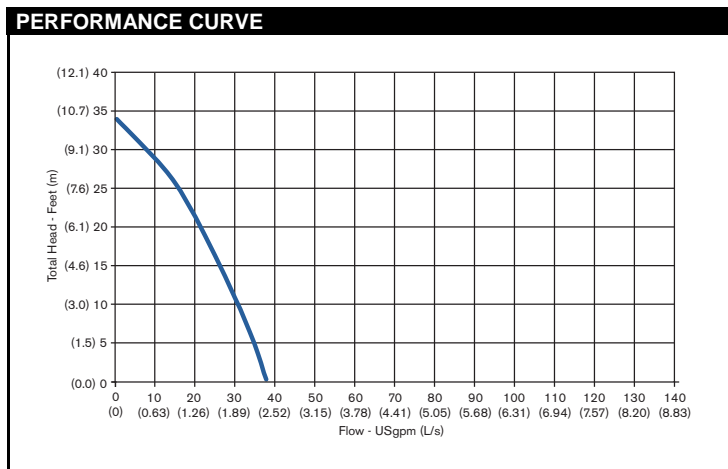
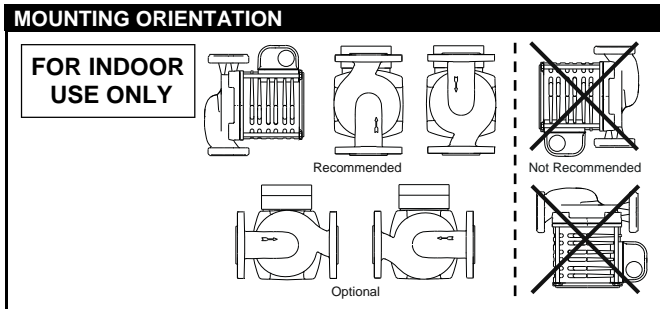
JOB/PROJECT: _____
 REPRESENTATIVE: _____
 ENGINEER: _____
 CONTRACTOR: _____
 ORDER NO: _____ DATE: _____
 SUBMITTED BY: _____ DATE: _____
 APPROVED BY: _____ DATE: _____

Quantity	TAG No.	Part No.	Flow (USgpm)	Head (feet)	Voltage	Phase	Comments

TECHNICAL DATA	
Flow Range	0 to 38.0 USgpm (0 to 2.4 L/s)
Head Range	0 to 34.0 feet (0 to 10.4 m)
Max. Fluid Temperature	230°F (110°C)
Max. Working Pressure	150 psi (1034 kPa)

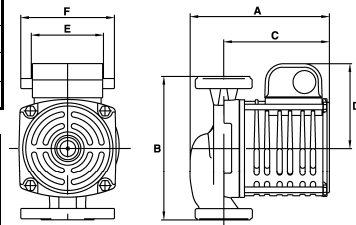
MOTOR DATA			
Nominal Power	1/6 hp (125 W)		
Voltage	120 V	208 V	240 V
Full Load Amp Draw	2.0 A	1.0 A	1.0 A
Frequency	60 Hz		
Motor Type	2 pole, Single Phase		
Speed	3400 rpm		

MATERIALS OF CONSTRUCTION			
Pump Body	Cast Iron (closed systems)	Bronze (open systems)	Lead Free Bronze*
Face Plate	Stainless Steel		
Impeller	30% Glass-filled Noryl		
Shaft	Stainless Steel		
Bearings	Permanently lubricated Stainless Steel		
Volute Gasket	EPDM		
Seal	Silicon Carbide EnviroSeal c/w viton elastomer		



PART NUMBER		
	120 V	240 V
E8	180200-657	180200-645
E8B	180200-658	180200-646
E8B	180200LF-658	180200LF-646

E8/E8B ACCESSORIES	
3/4" Flange kits	Timer
1" Flange kits	Aquastat
1 1/4" Flange kits	Spool Pieces
1 1/2" Flange kits	



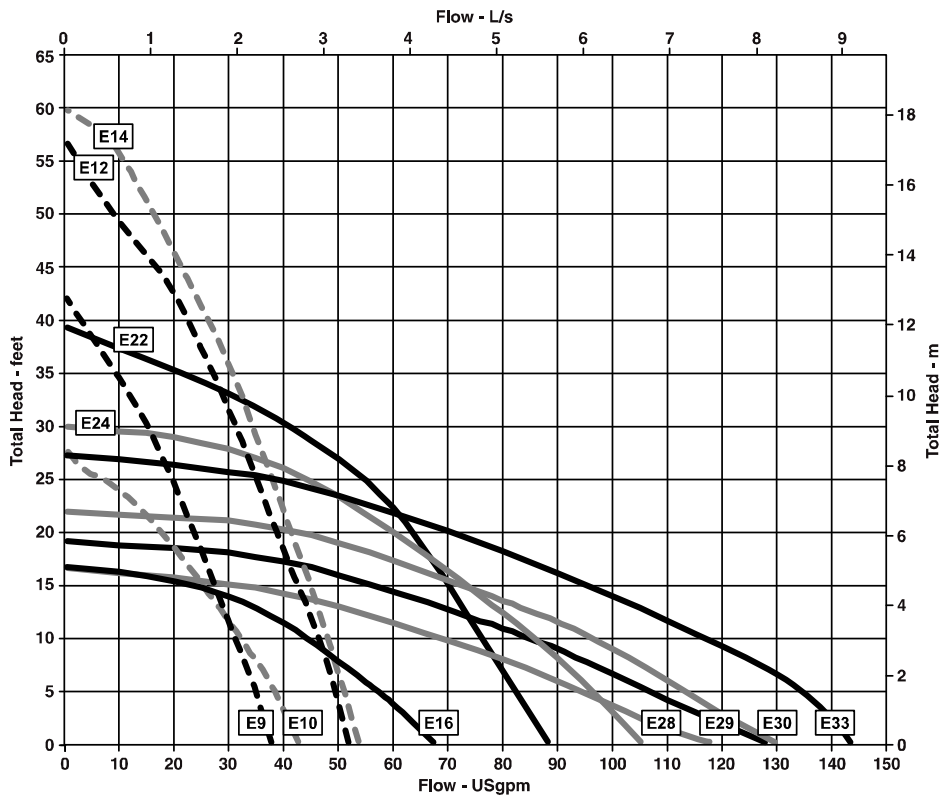
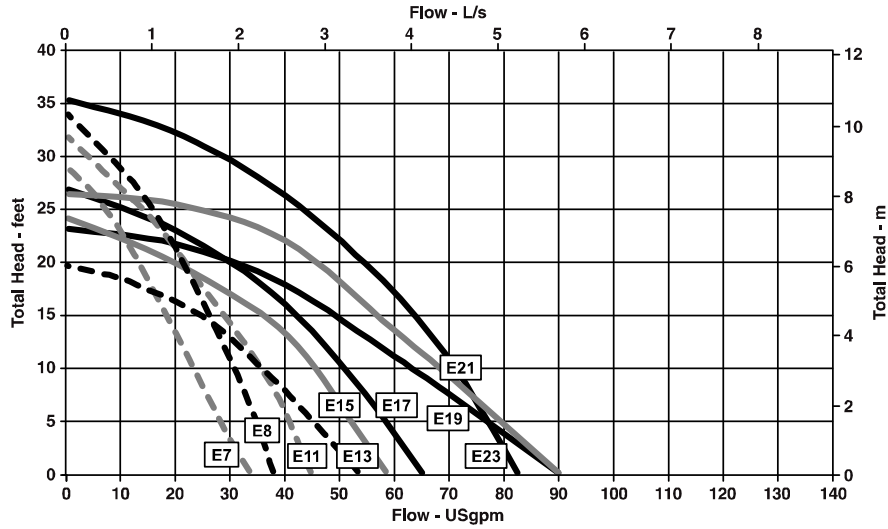
DIMENSIONS AND WEIGHTS									
Model	Body	A	B	C	D	E	F	Connection Type & Size	Shipping Weight
ARMflo E8	Cast Iron	6.4 (164)	6.4 (164)	4.8 (122)	3.8 (97)	3.2 (81)	4.2 (107)	1.25" diameter 2-bolt flanges	11.5 (5.2)
ARMflo E8B	Bronze /LF Bronze*	6.4 (164)	6.4 (164)	4.8 (122)	3.8 (97)	3.2 (81)	4.2 (107)	1.25" diameter 2-bolt flanges	12.8 (5.8)

Note: All dimensions are in inches (mm) and weights in lbs (kg)
 *Contains less than 0.25% lead, weighted average.



ARMflo E Series Circulators

COMPOSITE PERFORMANCE CURVES



S. A. Armstrong Limited
 23 Bertrand Avenue
 Toronto, Ontario
 Canada, M1L 2P3
 T: 416-755-2291
 F: 416-759-9101

Armstrong Pumps Inc.
 93 East Avenue
 North Tonawanda, New York
 U.S.A. 14120-6594
 T: 716-693-8813
 F: 716-693-8970

Armstrong Integrated Limited
 Wenlock Way
 Manchester
 United Kingdom, M12 5JL
 T: +44 (0) 8444 145 145
 F: +44 (0) 8444 145 146



© S.A. Armstrong Limited 2011

For Armstrong locations worldwide, please visit www.armstrongintegrated.com