

Astro Three Speed Circulators

SUBMITTAL

JOB: _____	REPRESENTATIVE: _____
ENGINEER: _____	ORDER NO: _____ DATE: _____
CONTRACTOR: _____	SUBMITTED BY: _____ DATE: _____
	APPROVED BY: _____ DATE: _____

Quantity	TAG No.	Model No.	Flow (USgpm)	Head (feet)	Comments

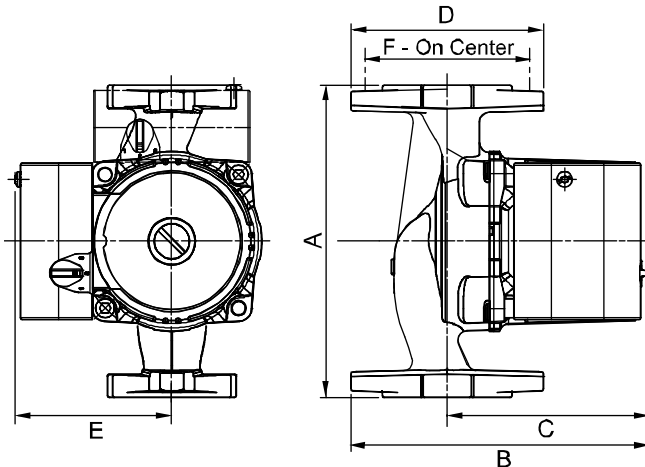
TECHNICAL DATA	
Flow Range	0 - 19 USgpm (0 - 1.20 L/s)
Head Range	0 - 22 ft (0 - 6.7 m)
Motor	115 V, 60 Hz, Single Phase
Maximum Fluid Temperature	Closed System: 230°F (110°C)*
Maximum Working Pressure	140 psi (965 kPa)

MATERIALS OF CONSTRUCTION	
Pump Body	Cast iron (closed systems), Bronze (open systems)
Impeller	Polypropylene (glass filled)
Shaft	Stainless steel
Bearings	Graphite
Gasket Material	EPDM

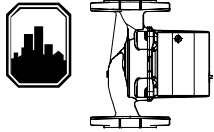
*Note: For bronze pumps used in potable water systems, it is recommended that the operating temperature of the fluid be kept as low as possible (i.e. below 150°F/66°C) to avoid precipitation of calcium.

DIMENSIONS and WEIGHTS								
Bronze	A	B	C	D	E	F	Connection Type & Size	Weight
Astro 30B-3	6-3/8 (162)	7-1/8 (180)	5-1/8 (130)	4 (102)	3-3/8 (86)	3-1/4 (80)	Flange - (2) 1/2" Dia. Bolt Holes	7.0 (3.2)
Astro 50B-3	6-3/8 (162)	7-1/8 (180)	5-1/8 (130)	4 (102)	3-3/8 (86)	3-1/4 (80)	Flange - (2) 1/2" Dia. Bolt Holes	7.4 (3.4)
Cast Iron	A	B	C	D	E	F	Connection Type & Size	Weight
Astro 30-3	6-3/8 (162)	7-1/8 (180)	5-1/8 (130)	4 (102)	3-3/8 (86)	3-1/4 (80)	Flange - (2) 1/2" Dia. Bolt Holes	6.5 (2.9)
Astro 50-3	6-3/8 (162)	7-1/8 (180)	5-1/8 (130)	4 (102)	3-3/8 (86)	3-1/4 (80)	Flange - (2) 1/2" Dia. Bolt Holes	6.8 (3.1)

Note: All dimensions are in inches (mm) and weights in lbs. (kg).

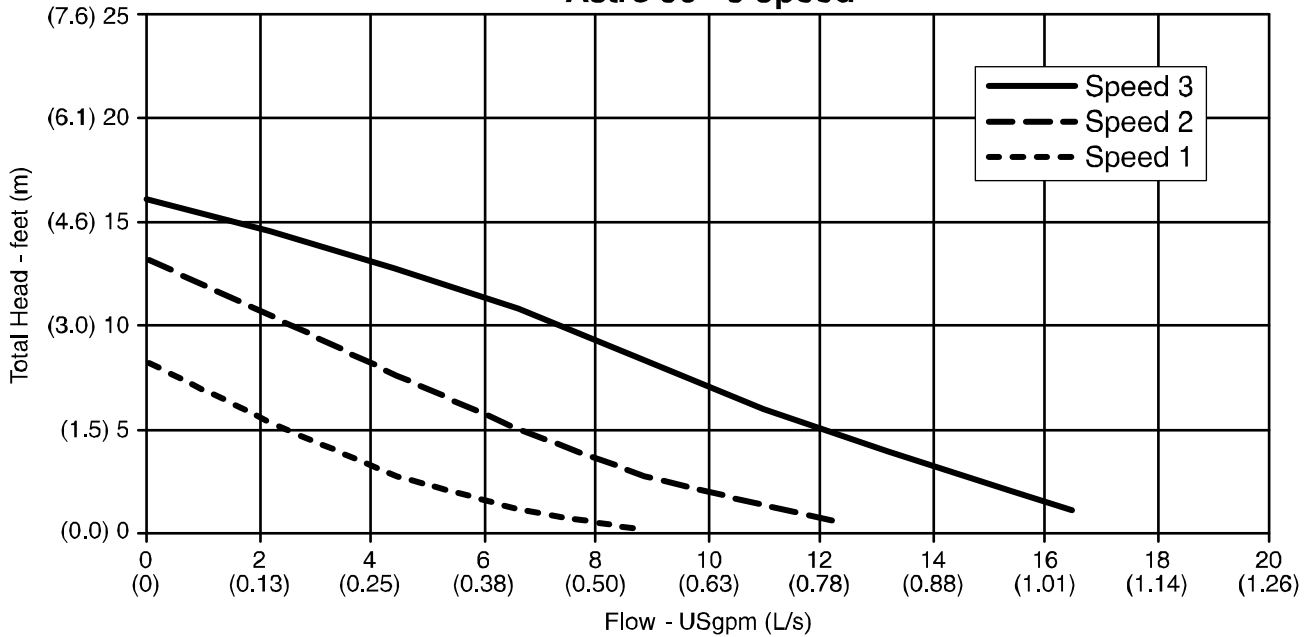


MOTOR DATA			
Model	Speed	Full Load Amp Draw (A)	Nominal Power (hp)
Astro 30-3	3	0.68	1/25
	2	0.58	
	1	0.40	
Astro 50-3	3	0.90	1/20
	2	0.76	
	1	0.52	

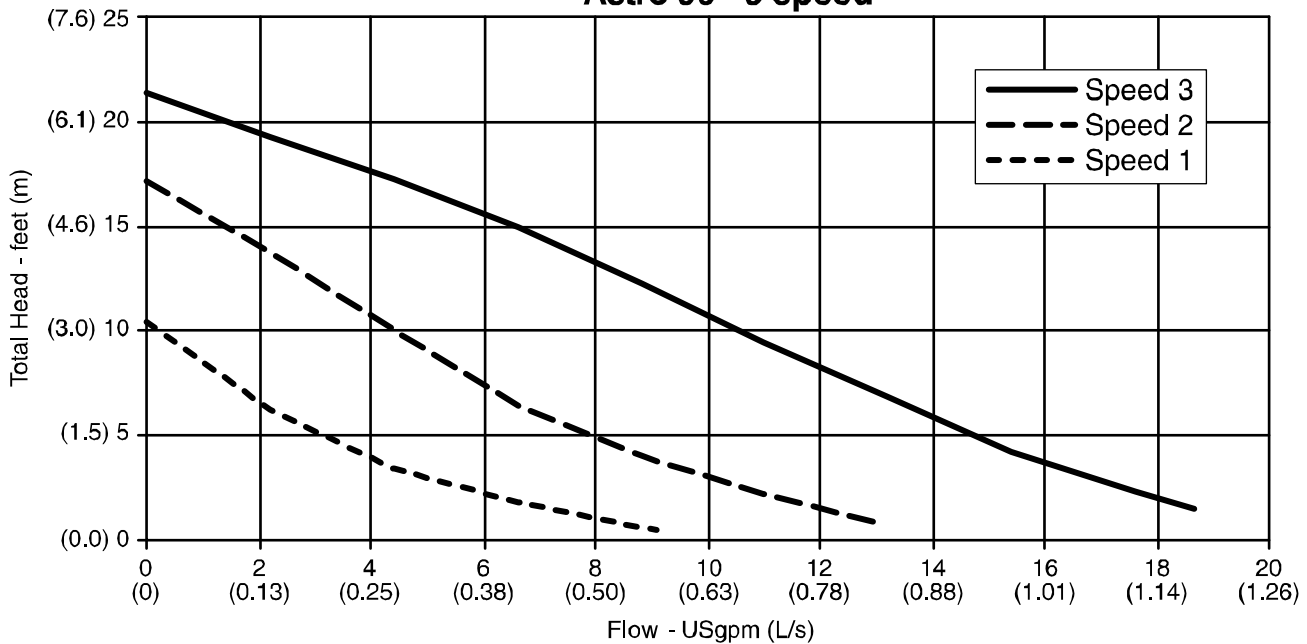


PERFORMANCE CURVES

Astro 30 - 3 speed



Astro 50 - 3 speed



S. A. Armstrong Limited
 23 Bertrand Avenue
 Toronto, Ontario
 Canada, M1L 2P3
 T: (416) 755-2291
 F (Main): (416) 759-9101

Armstrong Pumps Inc.
 93 East Avenue
 North Tonawanda, New York
 U.S.A. 14120-6594
 T: (716) 693-8813
 F: (716) 693-8970

Armstrong Holden Brooke Pullen
 Wenlock Way
 Manchester
 United Kingdom, M12 5JL
 T: +44 (0) 161 223 2223
 F: +44 (0) 161 220 9660

