

Series 4700 Vertical Multistage Pump

VMS 180

SUBMITTAL

JOB: _____ REPRESENTATIVE: _____

ENGINEER: _____ ORDER NO: _____ DATE: _____

CONTRACTOR: _____ SUBMITTED BY: _____ DATE: _____

APPROVED BY: _____ DATE: _____

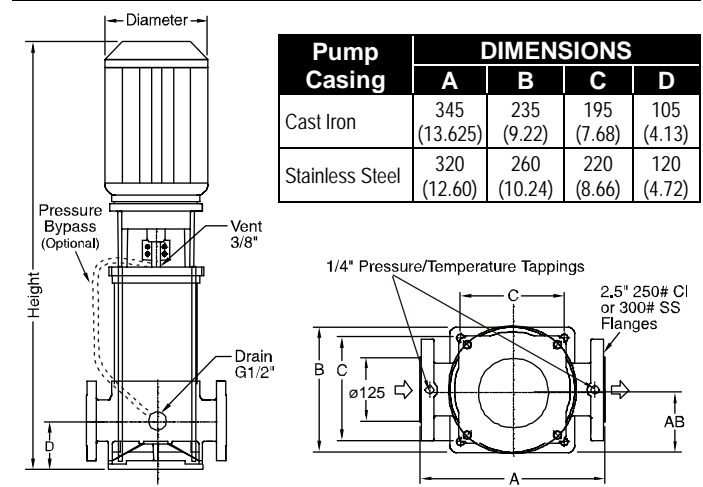
PUMP DESIGN DATA			
NO. OF PUMPS:			
TAG:			
CAPACITY:	L/s, m ³ /h (USgpm)	HEAD:	m (ft.)
LIQUID:		VISCOSITY:	
TEMPERATURE:		SPECIFIC GRAVITY:	

MOTOR DESIGN DATA	
HP:	RPM: 3000
FRAME SIZE:	ENCLOSURE: <input type="checkbox"/> ODP <input type="checkbox"/> TEFC
VOLTS:	HERTZ : 50 PHASE:
EFFICIENCY:	<input type="checkbox"/> STANDARD (ePact or NRCan) <input type="checkbox"/> PREMIUM (ePact 'PLUS' or NRCan 'PLUS')

MATERIALS OF CONSTRUCTION	
ANSI FLANGE RATING	<input type="checkbox"/> CAST IRON - CLASS 250
PUMP CASING	<input type="checkbox"/> STAINLESS STEEL - CLASS 300
IMPELLERS	304 STAINLESS STEEL
STAGE CASING	304 STAINLESS STEEL
DIFFUSERS	304 STAINLESS STEEL
PUMP SHAFT	AISI 316L STAINLESS STEEL
JACKET TUBE	STAINLESS STEEL
OTHER COMPONENTS	
INTERMEDIATE BEARING	TUNGSTEN CARBIDE
"O" RINGS	EPDM
MOTOR PEDESTAL	CAST IRON
PUMP BASE	CAST IRON
MECHANICAL SEAL FACES	CARBON & SILICON CARBIDE (STD.)
BYPASS (OPTIONAL)	<input type="checkbox"/> 304 STAINLESS STEEL

REMARKS

MAXIMUM PUMP OPERATING CONDITIONS	
MAXIMUM WORKING PRESSURE	24 bar (350 psig)
MAXIMUM WORKING TEMPERATURE	120°C (250°F)



Pump Casing	DIMENSIONS			
	A	B	C	D
Cast Iron	345 (13.625)	235 (9.22)	195 (7.68)	105 (4.13)
Stainless Steel	320 (12.60)	260 (10.24)	220 (8.66)	120 (4.72)

Model	hp	Phase	Enclosure		NEMA Frame	DIMENSIONS			WEIGHT kg (lbs.)
			ODP	TEFC		Height	Diameter	AB	
VMS18002	5	3	ODP		182TC	820 (32.29)	263 (10.38)	173 (6.84)	97.73 (215)
	5	3		TEFC	184TC	817 (32.17)	242 (9.56)	190 (7.50)	98.18 (216)
VMS18003	7.5	3	ODP		184TC	886 (34.89)	263 (10.38)	173 (6.84)	110.91 (244)
	7.5	3		TEFC	213TC	952 (37.51)	285 (11.25)	209 (8.25)	120.91 (266)
VMS18004	10	3	ODP		213TC	970 (38.20)	308 (12.13)	192 (7.59)	131.36 (289)
	10	3		TEFC	215TC	998 (39.32)	285 (11.25)	209 (8.25)	133.18 (293)
VMS18005	15	3	ODP		215TC	1092 (43.01)	308 (12.13)	192 (7.59)	151.82 (334)
	15	3		TEFC	254TC	1246 (49.07)	339 (13.38)	226 (8.90)	181.82 (400)
VMS18006	15	3	ODP		215TC	1092 (43.01)	308 (12.13)	192 (7.59)	151.82 (334)
	15	3		TEFC	254TC	1246 (49.07)	339 (13.38)	226 (8.90)	181.82 (400)
VMS18007	20	3	ODP		254TC	1382 (54.44)	339 (13.38)	252 (9.94)	197.73 (435)
	20	3		TEFC	256TC	1384 (54.50)	339 (13.38)	226 (8.90)	228.64 (503)
VMS18008	20	3	ODP		254TC	1382 (54.44)	339 (13.38)	252 (9.94)	197.73 (435)
	20	3		TEFC	256TC	1384 (54.50)	339 (13.38)	226 (8.90)	228.64 (503)
VMS18009	25	3	ODP		256TC	1382 (54.44)	339 (13.38)	252 (9.94)	205.91 (453)
	25	3		TEFC	284TSC	1541 (60.69)	388 (15.31)	304 (12.00)	290.00 (638)
VMS18010	25	3	ODP		256TC	1520 (59.87)	339 (13.38)	252 (9.94)	207.73 (457)
	25	3		TEFC	284TSC	1679 (66.12)	388 (15.31)	304 (12.00)	291.82 (642)
VMS18011	30	3	ODP		284TSC	1523 (59.99)	339 (13.38)	298 (11.75)	268.18 (590)
	30	3		TEFC	286TSC	1679 (66.12)	388 (15.31)	304 (12.00)	303.18 (667)
VMS18012	30	3	ODP		284TSC	1523 (59.99)	339 (13.38)	298 (11.75)	270.45 (595)
	30	3		TEFC	286TSC	1679 (66.12)	388 (15.31)	304 (12.00)	305.00 (671)

All dimensions are in mm (inches) and are approximate. (Use tolerance of +/- 3 mm (+/- 0.125"))
 All dimensions and weights are, typically, maximum for the motor range shown.
 For exact dimensions contact the factory.

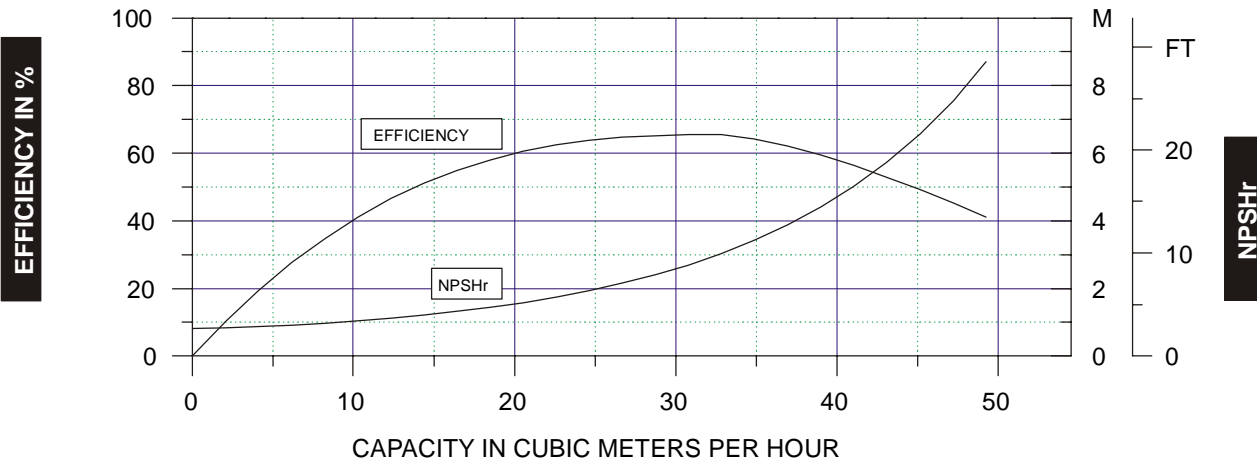
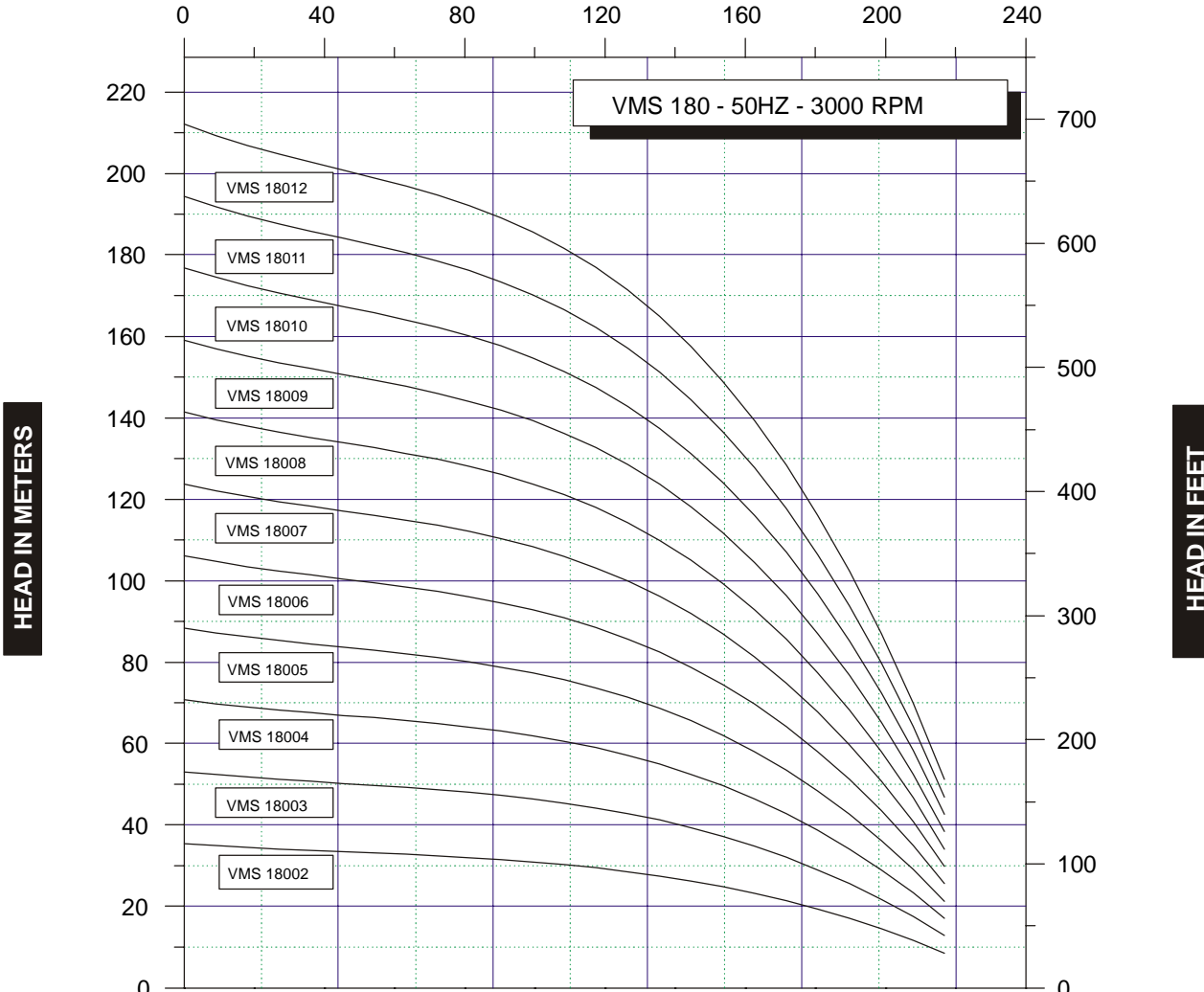


PERFORMANCE CURVES

Performance Guaranteed Only At Operating Point Indicated

CURVE NO.
2301-185-0-53

CAPACITY IN USGPM



S. A. Armstrong Limited
23 Bertrand Avenue
Toronto, Ontario
Canada, M1L 2P3
T: (416) 755-2291
F (Main): (416) 759-9101

Armstrong Pumps Inc.
93 East Avenue
North Tonawanda, New York
U.S.A. 14120-6594
T: (716) 693-8813
F: (716) 693-8970

Armstrong Holden Brooke Pullen
Wenlock Way
Manchester
United Kingdom, M12 5JL
T: +44 (0) 161 223 2223
F: +44 (0) 161 220 9660

