

## Series 4700 Vertical Multistage Pump

# VMS 100

## SUBMITTAL

JOB: \_\_\_\_\_ REPRESENTATIVE: \_\_\_\_\_

ENGINEER: \_\_\_\_\_ ORDER NO: \_\_\_\_\_ DATE: \_\_\_\_\_

CONTRACTOR: \_\_\_\_\_ SUBMITTED BY: \_\_\_\_\_ DATE: \_\_\_\_\_

APPROVED BY: \_\_\_\_\_ DATE: \_\_\_\_\_

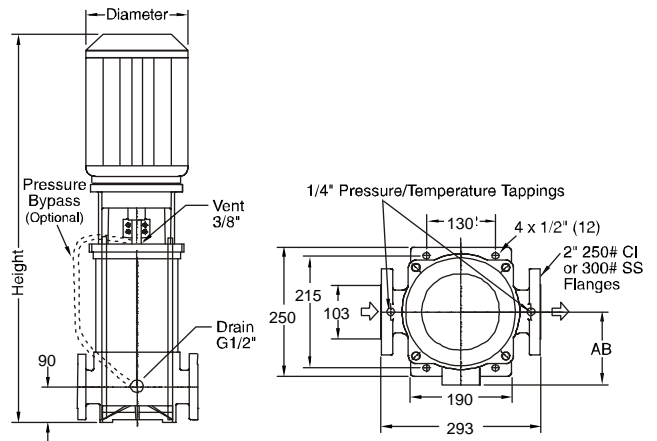
PUMP DESIGN DATA			
NO. OF PUMPS:			
TAG:			
CAPACITY:	L/s, m <sup>3</sup> /h (USgpm)	HEAD:	m (ft.)
LIQUID:		VISCOSITY:	
TEMPERATURE:		SPECIFIC GRAVITY:	

MOTOR DESIGN DATA	
HP:	RPM: 3000
FRAME SIZE:	ENCLOSURE: <input type="checkbox"/> ODP <input type="checkbox"/> TEFC
VOLTS:	HERTZ : 50 PHASE:
EFFICIENCY:	<input type="checkbox"/> STANDARD (ePact or NRCan) <input type="checkbox"/> PREMIUM (ePact 'PLUS' or NRCan 'PLUS')

MATERIALS OF CONSTRUCTION	
ANSI FLANGE RATING	<input type="checkbox"/> CAST IRON - CLASS 250
PUMP CASING	<input type="checkbox"/> STAINLESS STEEL - CLASS 300
IMPELLERS	304 STAINLESS STEEL
STAGE CASING	304 STAINLESS STEEL
DIFFUSERS	304 STAINLESS STEEL
PUMP SHAFT	AISI 316L STAINLESS STEEL
JACKET TUBE	STAINLESS STEEL
OTHER COMPONENTS	
INTERMEDIATE BEARING	TUNGSTEN CARBIDE
"O" RINGS	EPDM
MOTOR PEDESTAL	CAST IRON
MECHANICAL SEAL FACES	CARBON & SILICON CARBIDE (STD.)
BYPASS (OPTIONAL)	<input type="checkbox"/> 304 STAINLESS STEEL

REMARKS

MAXIMUM PUMP OPERATING CONDITIONS	
MAXIMUM WORKING PRESSURE	24 bar (350 psig)
MAXIMUM WORKING TEMPERATURE	120°C (250°F)

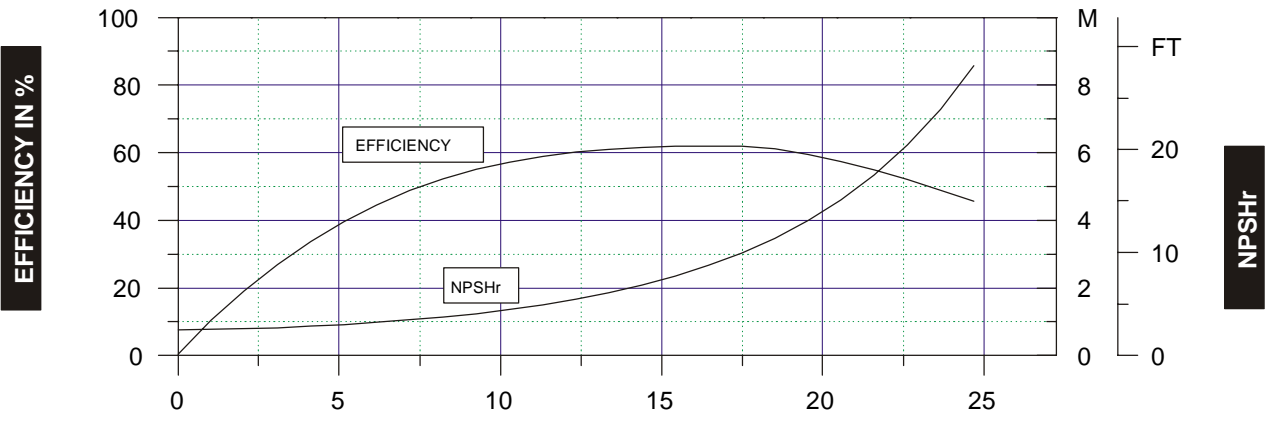
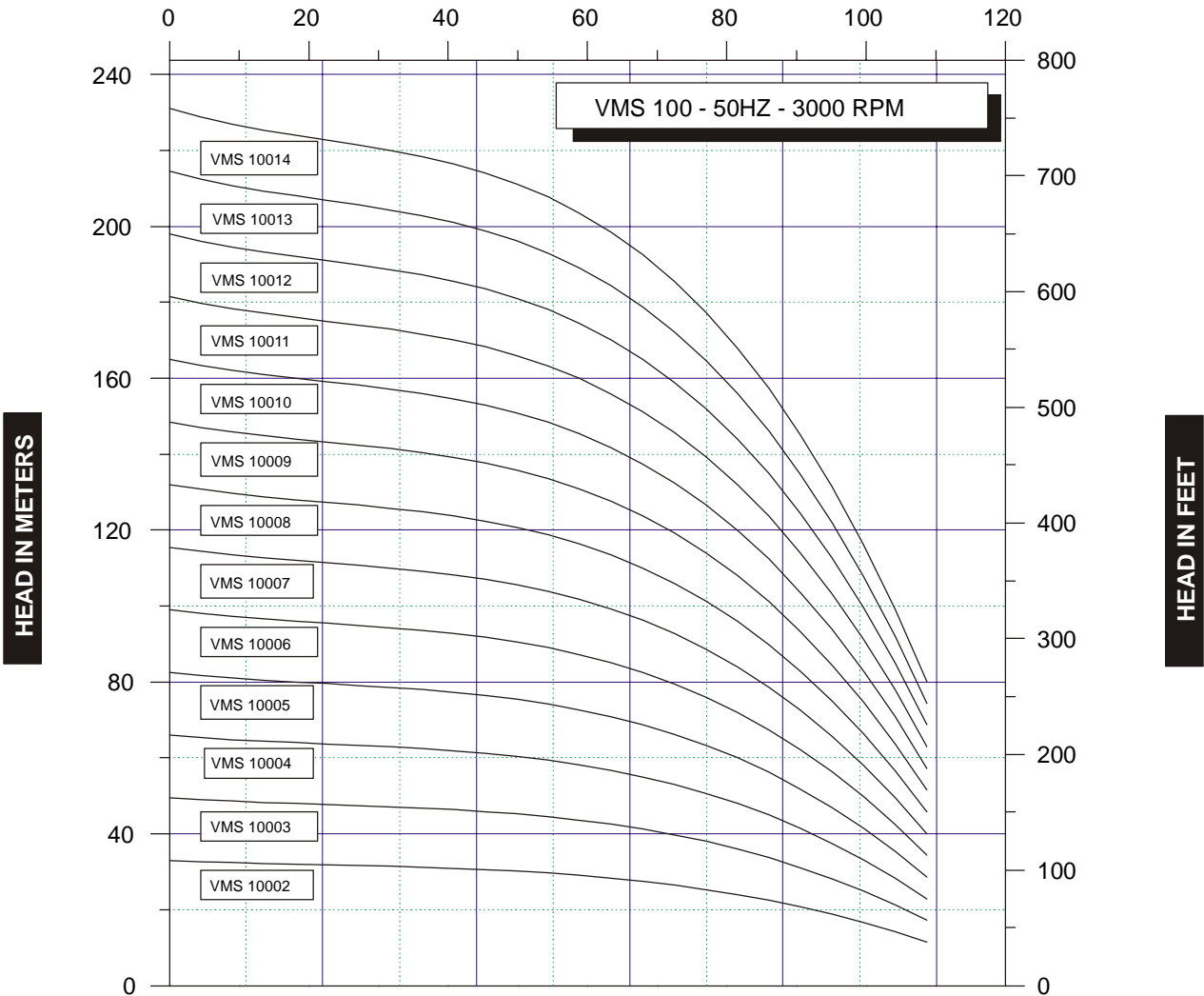


MODEL	hp	Phase	Enclosure		NEMA Frame	DIMENSIONS			WEIGHT kg (lbs.)
			ODP	TEFC		Height	Diameter	AB	
VMS10002	5	3	ODP		182TC	784 (30.87)	264 (10.38)	174 (6.84)	88.8 (195)
	5	3		TEFC	184TC	781 (30.76)	243 (9.56)	191 (7.50)	89.3 (196)
VMS10003	5	3	ODP		182TC	794 (31.26)	264 (10.38)	174 (6.84)	90.8 (200)
	5	3		TEFC	184TC	791 (31.15)	243 (9.56)	191 (7.50)	91.3 (201)
VMS10004	7.5	3	ODP		184TC	829 (32.65)	264 (10.38)	174 (6.84)	95.0 (209)
	7.5	3		TEFC	213TC	896 (35.27)	286 (11.25)	210 (8.25)	105.1 (231)
VMS10005	7.5	3	ODP		184TC	883 (34.77)	264 (10.38)	174 (6.84)	105.1 (231)
	7.5	3		TEFC	213TC	950 (37.39)	286 (11.25)	210 (8.25)	115.1 (253)
VMS10006	10	3	ODP		213TC	956 (37.65)	308 (12.13)	193 (7.59)	127.3 (280)
	10	3		TEFC	215TC	985 (38.77)	286 (11.25)	210 (8.25)	129.1 (284)
VMS10007	10	3	ODP		213TC	1025 (40.37)	308 (12.13)	193 (7.59)	129.3 (284)
	10	3		TEFC	215TC	1054 (41.49)	286 (11.25)	210 (8.25)	131.1 (288)
VMS10008	10	3	ODP		213TC	1025 (40.37)	308 (12.13)	193 (7.59)	129.3 (284)
	10	3		TEFC	215TC	1054 (41.49)	286 (11.25)	210 (8.25)	131.1 (288)
VMS10009	15	3	ODP		215TC	1124 (44.27)	308 (12.13)	193 (7.59)	148.9 (328)
	15	3		TEFC	254TC	1278 (50.33)	340 (13.38)	226 (8.90)	178.9 (394)
VMS10010	15	3	ODP		215TC	1124 (44.27)	308 (12.13)	193 (7.59)	156.9 (345)
	15	3		TEFC	254TC	1278 (50.33)	340 (13.38)	226 (8.90)	186.9 (411)
VMS10011	15	3	ODP		215TC	1193 (46.98)	308 (12.13)	193 (7.59)	160.9 (354)
	15	3		TEFC	254TC	1347 (53.04)	340 (13.38)	226 (8.90)	190.9 (420)
VMS10012	20	3	ODP		254TC	1346 (52.98)	340 (13.38)	252 (9.94)	191.8 (422)
	20	3		TEFC	256TC	1347 (53.04)	340 (13.38)	226 (8.90)	222.7 (490)
VMS10013	20	3	ODP		254TC	1415 (55.70)	340 (13.38)	252 (9.94)	195.8 (431)
	20	3		TEFC	256TC	1416 (55.76)	340 (13.38)	226 (8.90)	226.7 (499)
VMS10014	20	3	ODP		254TC	1415 (55.70)	340 (13.38)	252 (9.94)	195.8 (431)
	20	3		TEFC	256TC	1416 (55.76)	340 (13.38)	226 (8.90)	226.7 (499)

All dimensions are in mm (inches) and are approximate. (Use tolerance of +/- 3 mm (+/- 0.125"))  
 All dimensions and weights are, typically, maximum for the motor range shown.  
 For exact dimensions contact the factory.

CURVE NO.  
2300-184-0-51

CAPACITY IN USGPM



CAPACITY IN CUBIC METERS PER HOUR

S. A. Armstrong Limited  
23 Bertrand Avenue  
Toronto, Ontario  
Canada, M1L 2P3  
T: (416) 755-2291  
F (Main): (416) 759-9101

Armstrong Pumps Inc.  
93 East Avenue  
North Tonawanda, New York  
U.S.A. 14120-6594  
T: (716) 693-8813  
F: (716) 693-8970

Armstrong Holden Brooke Pullen  
Wenlock Way  
Manchester  
United Kingdom, M12 5JL  
T: +44 (0) 161 223 2223  
F: +44 (0) 161 220 9660

