



# SERIES 4700 VMS 50 VERTICAL MULTISTAGE PUMP

FILE NO.:	L47.55
DATE:	August 1, 1999
SUPERSEDES:	L47.55
DATE:	APRIL 1, 1997

## SUBMITTAL



JOB: _____	REPRESENTATIVE: _____
ENGINEER: _____	ORDER NO: _____ DATE: _____
CONTRACTOR: _____	SUBMITTED BY: _____ DATE: _____
	APPROVED BY: _____ DATE: _____

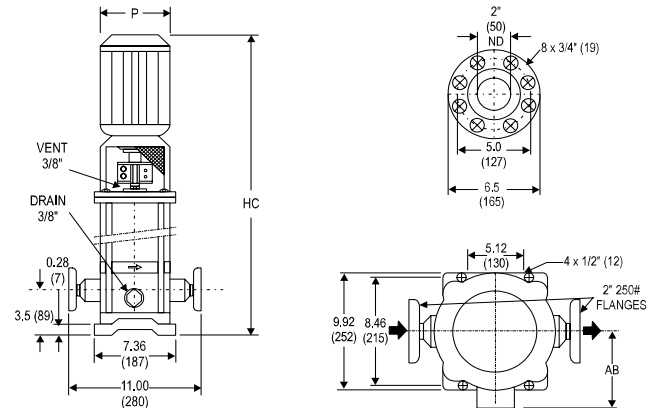
PUMP DESIGN DATA			
NO. OF PUMPS:			
TAG:			
CAPACITY:	m <sup>3</sup> /h, l/s (USgpm)	HEAD:	ft.(m)
LIQUID:	WATER	VISCOSITY:	1 cps
TEMPERATURE:	18 °C (60°F)	SPECIFIC GRAVITY:	1.0

MOTOR DESIGN DATA			
HP:	RPM: 3000		
FRAME SIZE:	ENCLOSURE:	<input type="checkbox"/> ODP <input type="checkbox"/> TEFC	
VOLTS:	HERTZ :	50	PHASE:
EFFICIENCY:	<input type="checkbox"/> STANDARD <input type="checkbox"/> PREMIUM LEVEL %		
FLANGE SIZE:	SUCTION: 50mm (2")	DISCHARGE: 50mm (2")	

MATERIALS OF CONSTRUCTION	
ANSI FLANGE RATING	300 LBS STAINLESS STEEL
WETTED PARTS <input type="checkbox"/> AISI 304 ST. STL. <input type="checkbox"/> AISI 316 ST. STL.	
PUMP CASING	STAINLESS STEEL
IMPELLERS	STAINLESS STEEL
STAGE CASING	STAINLESS STEEL
DIFFUSERS	STAINLESS STEEL
PUMP SHAFT	STAINLESS STEEL (AISI 316)
JACKET TUBE	STAINLESS STEEL
OTHER COMPONENTS	
INTERMEDIATE BEARING	TUNGSTEN CARBIDE
"O" RINGS	EPDM
MOTOR PEDESTAL	CAST IRON
PUMP BASE	CAST IRON
MECHANICAL SEAL FACES	CARBON & SILICON CARBIDE

MAXIMUM PUMP OPERATING CONDITIONS	
MAXIMUM WORKING PRESSURE	24 BAR (350 PSIG)
MAXIMUM WORKING TEMPERATURE	120°C (250°F)

REMARKS

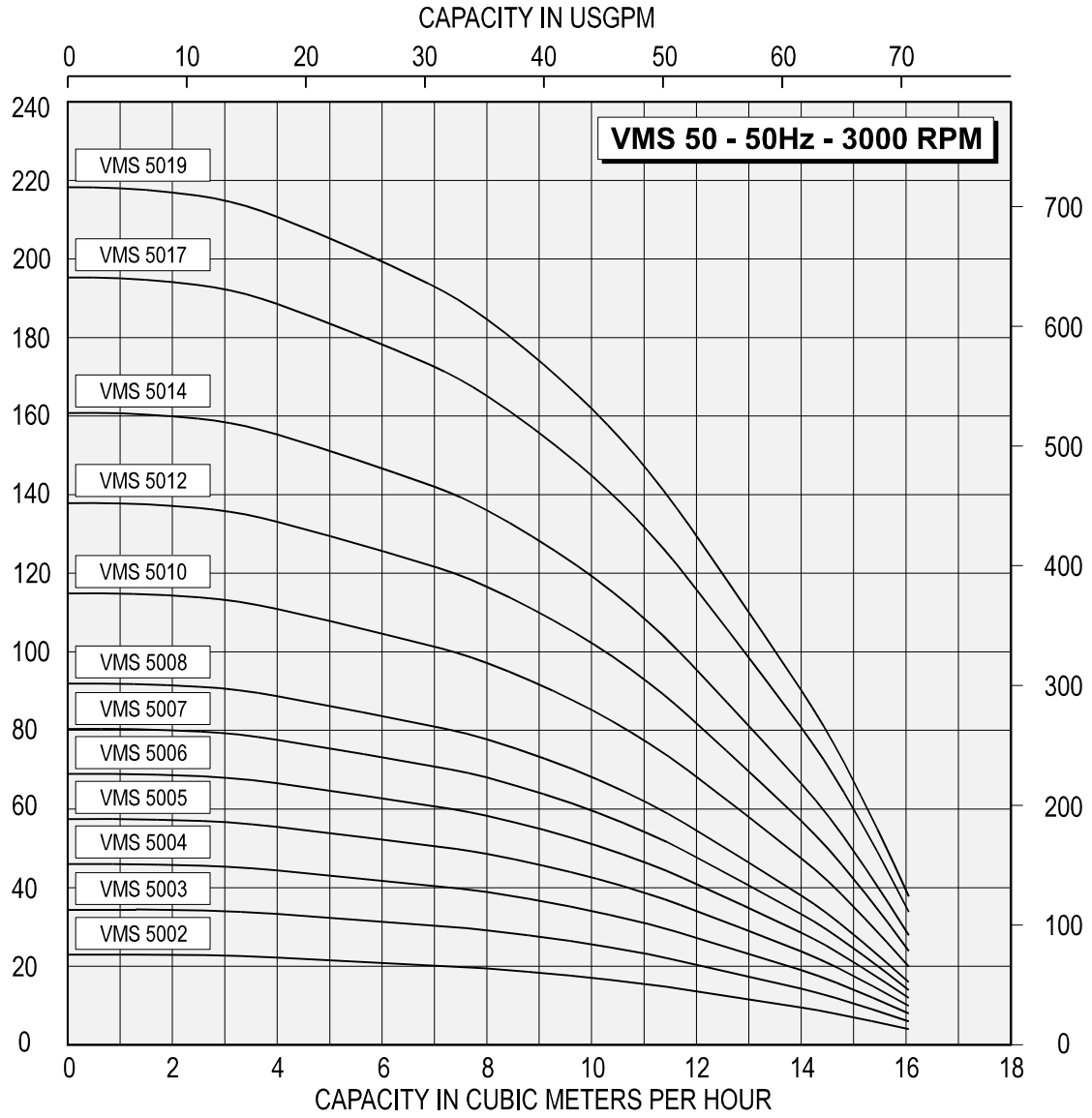


PUMP SIZE	HP	PHASE		ENCLOSURE		NEMA FRAME	DIMENSIONS			WEIGHT kgs (lbs)
		1	3	ODP	TEFC		HC	P	AB	
VMS5002	1	1	3	odp	tefc	56C	626 (24.65)	184 (7.25)	165 (6.50)	25.1 (58)
VMS5003	1.5	1	3	odp	tefc	143TC	650 (25.58)	219 (8.63)	105 (4.13)	29.2 (67)
VMS5004	2	1	3	odp	tefc	145TC	690 (27.16)	184 (7.25)	165 (6.50)	44.5 (102)
VMS5005	3	1	3	odp		182TC	799 (31.47)	264 (10.38)	174 (6.84)	43.0 (99)
	3		3	odp		145TC	720 (28.34)	219 (8.63)	105 (4.13)	36.0 (83)
	3		3		tefc	182TC	796 (31.35)	243 (9.56)	191 (7.50)	41.3 (95)
VMS5006	3	1	3	odp		182TC	829 (32.65)	264 (10.38)	174 (6.84)	43.7 (100)
	3		3	odp		145TC	750 (29.52)	219 (8.63)	105 (4.13)	36.7 (84)
	3		3		tefc	182TC	826 (32.53)	243 (9.56)	191 (7.50)	41.9 (96)
VMS5007	5	1	3	odp		184TC	869 (34.22)	264 (10.38)	174 (6.84)	48.5 (111)
	5		3	odp		182TC	869 (34.22)	264 (10.38)	174 (6.84)	49.4 (113)
	5		3		tefc	184TC	866 (34.10)	243 (9.56)	191 (7.50)	49.8 (114)
VMS5008	5	1	3	odp		184TC	899 (35.40)	264 (10.38)	174 (6.84)	51.3 (118)
	5		3	odp		182TC	899 (35.40)	264 (10.38)	174 (6.84)	50.0 (115)
	5		3		tefc	184TC	896 (35.28)	243 (9.56)	191 (7.50)	50.5 (116)
VMS5010	5	1	3	odp		184TC	959 (37.77)	264 (10.38)	174 (6.84)	52.8 (121)
	5		3	odp		182TC	959 (37.77)	264 (10.38)	174 (6.84)	51.5 (118)
	5		3		tefc	184TC	956 (37.65)	243 (9.56)	191 (7.50)	51.9 (119)
VMS5012	7.5		3	odp		184TC	1019 (40.13)	264 (10.38)	174 (6.84)	57.0 (131)
	7.5		3		tefc	213TC	1086 (42.75)	286 (11.25)	210 (8.25)	66.6 (153)
VMS5014	7.5		3	odp		184TC	1079 (42.49)	264 (10.38)	174 (6.84)	58.8 (135)
	7.5		3		tefc	213TC	1146 (45.11)	286 (11.25)	210 (8.25)	68.4 (157)
VMS5017	10		3	odp		213TC	1226 (48.28)	308 (12.13)	193 (7.60)	82.7 (190)
	10		3		tefc	215TC	1255 (49.40)	286 (11.25)	210 (8.25)	84.4 (194)
VMS5019	10		3	odp		213TC	1286 (50.64)	308 (12.13)	193 (7.60)	84.1 (193)
	10		3		tefc	215TC	1315 (51.76)	286 (11.25)	210 (8.25)	85.9 (197)

For exact dimensions contact the factory.

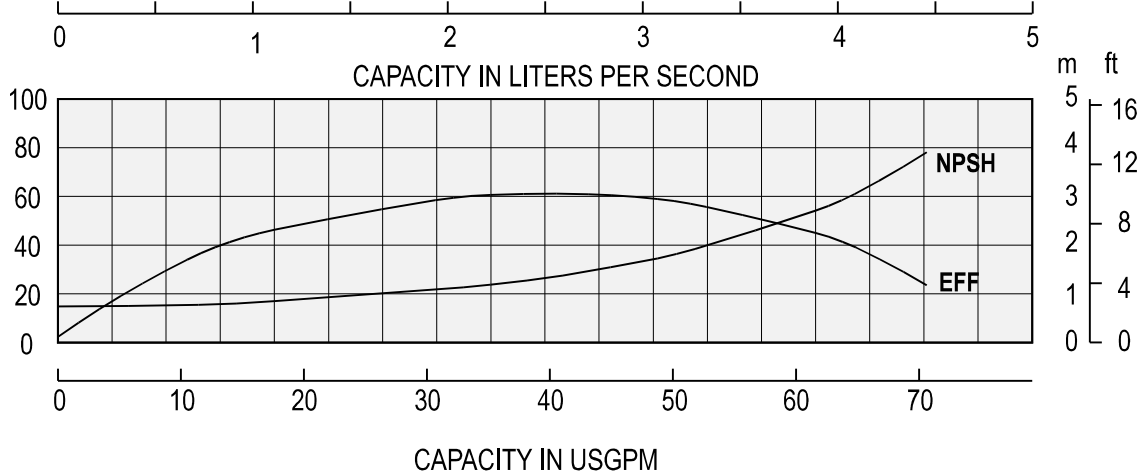
HEAD IN METERS

HEAD IN FEET



EFFICIENCY IN %

NPSHR



**S.A. Armstrong Limited**  
 23 Bertrand Avenue  
 Toronto, Ontario  
 Canada, M1L 2P3  
 Tel: (416) 755-2291  
 Fax: (416) 759-9101

**Armstrong Pumps Limited**  
 Peartree Road, Stanway  
 Colchester, Essex  
 United Kingdom, C03 5JX  
 Tel: 01206-579491  
 Fax: 01206-760532



**Armstrong Pumps Inc.**  
 93 East Avenue  
 Buffalo, New York  
 U.S.A. 14120-6594  
 Tel: (716) 693-8813  
 Fax: (716) 693-8970

**Armstrong Darling Inc.**  
 2200 Place Transcanadienne  
 Montreal, Quebec  
 Canada, H9P 2X5  
 Tel: (514) 421-2424  
 Fax: (514) 421-2436

