



SERIES 4700 VMS 30 VERTICAL MULTISTAGE PUMP

FILE NO.:	L47.53
DATE:	August 1, 1999
SUPERSEDES:	L47.53
DATE:	APRIL 1, 1997

SUBMITTAL



JOB: _____	REPRESENTATIVE: _____
ENGINEER: _____	ORDER NO: _____ DATE: _____
CONTRACTOR: _____	SUBMITTED BY: _____ DATE: _____
	APPROVED BY: _____ DATE: _____

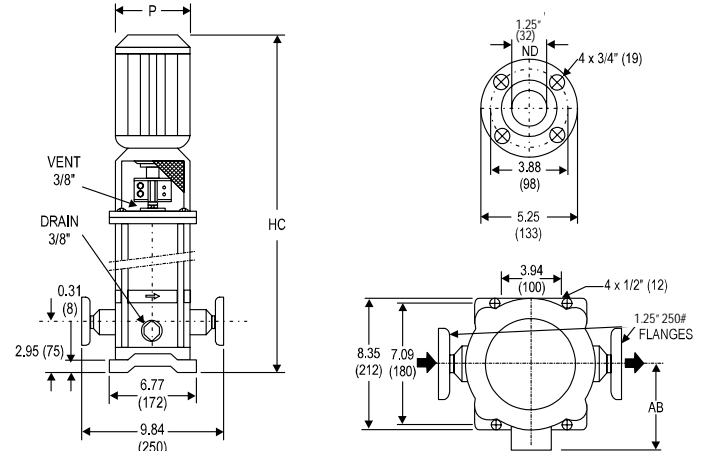
PUMP DESIGN DATA			
NO. OF PUMPS:			
TAG:			
CAPACITY:	m ³ /h, l/s (USgpm)	HEAD:	ft.(m)
LIQUID:	WATER	VISCOSITY:	1 cP
TEMPERATURE:	18 °C (60°F)	SPECIFIC GRAVITY:	1.0

MOTOR DESIGN DATA			
HP:	RPM: 3000		
FRAME SIZE:	ENCLOSURE:	<input type="checkbox"/> ODP <input type="checkbox"/> TEFC	
VOLTS:	HERTZ :	50	PHASE:
EFFICIENCY:	<input type="checkbox"/> STANDARD <input type="checkbox"/> PREMIUM		LEVEL %
FLANGE SIZE:	SUCTION: 32mm (1.25")	DISCHARGE: 32mm (1.25")	

MATERIALS OF CONSTRUCTION	
ANSI FLANGE RATING	300 LBS STAINLESS STEEL
WETTED PARTS <input type="checkbox"/> AISI 304 ST. STL. <input type="checkbox"/> AISI 316 ST. STL.	
PUMP CASING	STAINLESS STEEL
IMPELLERS	STAINLESS STEEL
STAGE CASING	STAINLESS STEEL
DIFFUSERS	STAINLESS STEEL
PUMP SHAFT	STAINLESS STEEL (AISI 316)
JACKET TUBE	STAINLESS STEEL
OTHER COMPONENTS	
INTERMEDIATE BEARING	TUNGSTEN CARBIDE
"O" RINGS	EPDM
MOTOR PEDESTAL	CAST IRON
PUMP BASE	CAST IRON
MECHANICAL SEAL FACES	CARBON & SILICON CARBIDE

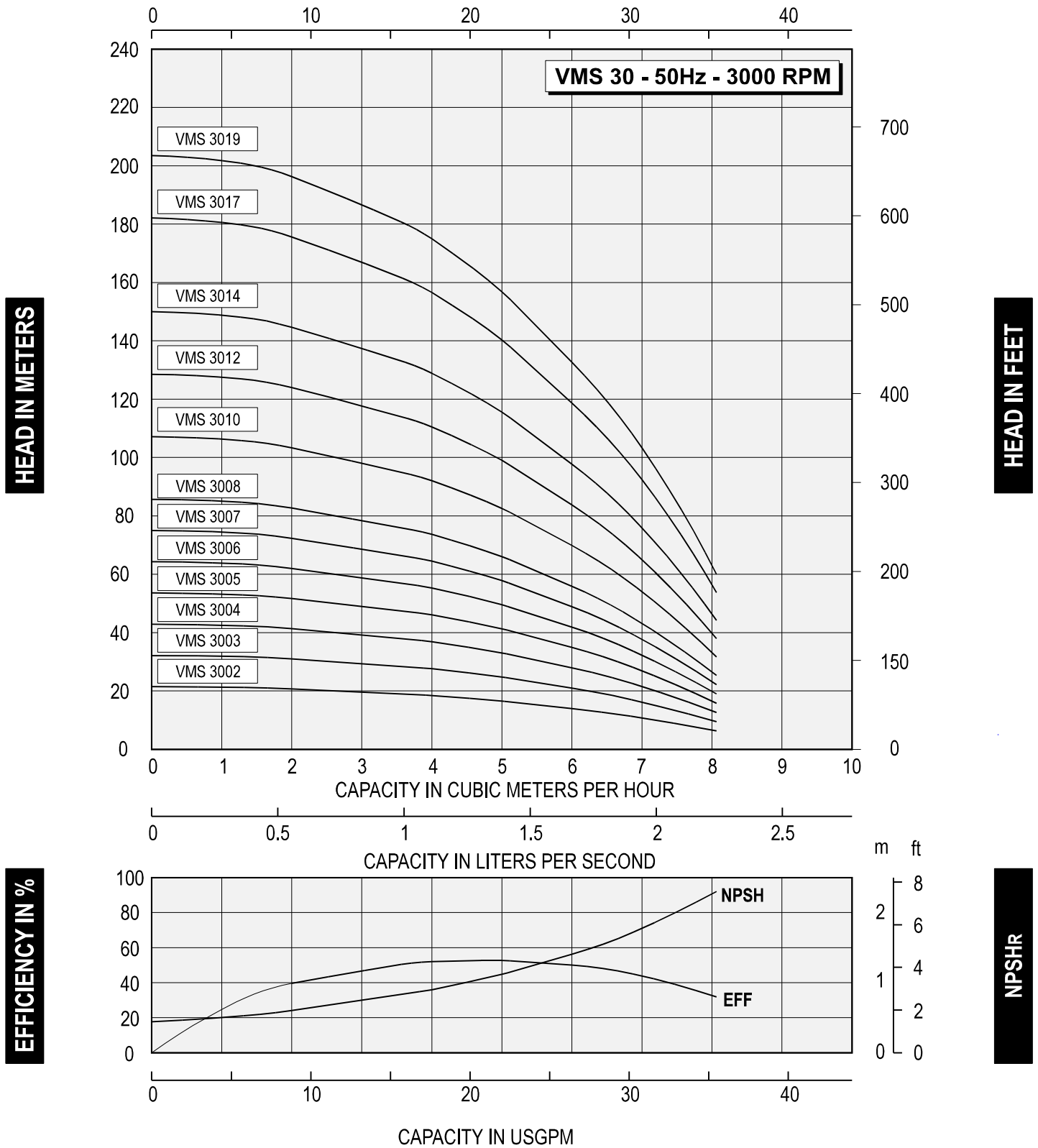
MAXIMUM PUMP OPERATING CONDITIONS	
MAXIMUM WORKING PRESSURE	24 BAR (350 PSIG)
MAXIMUM WORKING TEMPERATURE	120°C (250°F)

REMARKS



PUMP SIZE	HP	PHASE		ENCLOSURE		NEMA FRAME	DIMENSIONS			WEIGHT kgs (lbs)
		1	3	ODP	TEFC		HC	P	AB	
VMS3002	0.75	1	3	odp	tefc	56C	589 (23.18)	184 (7.25)	165 (6.50)	20.0 (44)
VMS3003	1	1	3	odp	tefc	56C	599 (23.57)	184 (7.25)	165 (6.50)	23.1 (51)
VMS3004	1.5	1	3	odp	tefc	143TC	648 (25.52)	219 (8.63)	105 (4.13)	27.4 (60)
VMS3005	1.5	1	3	odp	tefc	143TC	672 (26.46)	219 (8.63)	105 (4.13)	28.0 (62)
VMS3006	2	1	3	odp	tefc	145TC	802 (31.58)	219 (8.63)	105 (4.13)	36.3 (80)
VMS3007	2	1	3	odp	tefc	145TC	802 (31.58)	219 (8.63)	105 (4.13)	36.3 (80)
VMS3008	3	1		odp		182TC	827 (32.57)	264 (10.38)	174 (6.84)	44.6 (98)
	3		3	odp		145TC	754 (29.69)	219 (8.63)	105 (4.13)	37.3 (82)
	3		3		tefc	182TC	824 (32.45)	243 (9.56)	191 (7.50)	42.8 (94)
VMS3010	3	1		odp		182TC	875 (34.46)	264 (10.38)	174 (6.84)	45.8 (101)
	3		3	odp		145TC	802 (31.58)	219 (8.63)	105 (4.13)	38.5 (85)
	3		3		tefc	182TC	872 (34.34)	243 (9.56)	191 (7.50)	44.0 (97)
VMS3012	5	1		odp		184TC	933 (36.74)	264 (10.38)	174 (6.84)	51.3 (113)
	5		3	odp		182TC	911 (35.86)	264 (10.38)	174 (6.84)	52.2 (115)
	5		3		tefc	184TC	933 (36.74)	243 (9.56)	191 (7.50)	52.7 (116)
VMS3014	5	1		odp		184TC	980 (38.59)	264 (10.38)	174 (6.84)	52.5 (116)
	5		3	odp		182TC	980 (38.59)	264 (10.38)	174 (6.84)	53.4 (118)
	5		3		tefc	184TC	977 (38.47)	243 (9.56)	191 (7.50)	53.9 (119)
VMS3017	5	1		odp		184TC	1053 (41.47)	264 (10.38)	174 (6.84)	54.4 (120)
	5		3	odp		182TC	1031 (40.59)	264 (10.38)	174 (6.84)	55.3 (122)
	5		3		tefc	184TC	1050 (41.35)	243 (9.56)	191 (7.50)	55.8 (123)
VMS3019	5	1		odp		184TC	1125 (44.30)	264 (10.38)	174 (6.84)	55.5 (122)
	5		3	odp		182TC	1103 (43.42)	264 (10.38)	174 (6.84)	56.4 (124)
	5		3		tefc	184TC	1122 (44.18)	243 (9.56)	191 (7.50)	56.9 (125)

All dimensions are in mm (inches) and are approximate. (Use tolerance of +/- 3mm [+/- 0.125"])
 All dimensions and weights are, typically, maximum for the motor range shown.
 For exact dimensions contact the factory.
 For curves see page 2



S.A. Armstrong Limited
 23 Bertrand Avenue
 Toronto, Ontario
 Canada, M1L 2P3
 Tel: (416) 755-2291
 Fax: (416) 759-9101

Armstrong Pumps Limited
 Peartree Road, Stanway
 Colchester, Essex
 United Kingdom, C03 5JX
 Tel: 01206-579491
 Fax: 01206-760532



Armstrong Pumps Inc.
 93 East Avenue
 Buffalo, New York
 U.S.A. 14120-6594
 Tel: (716) 693-8813
 Fax: (716) 693-8970

Armstrong Darling Inc.
 2200 Place Transcanadienne
 Montreal, Quebec
 Canada, H9P 2X5
 Tel: (514) 421-2424
 Fax: (514) 421-2436

