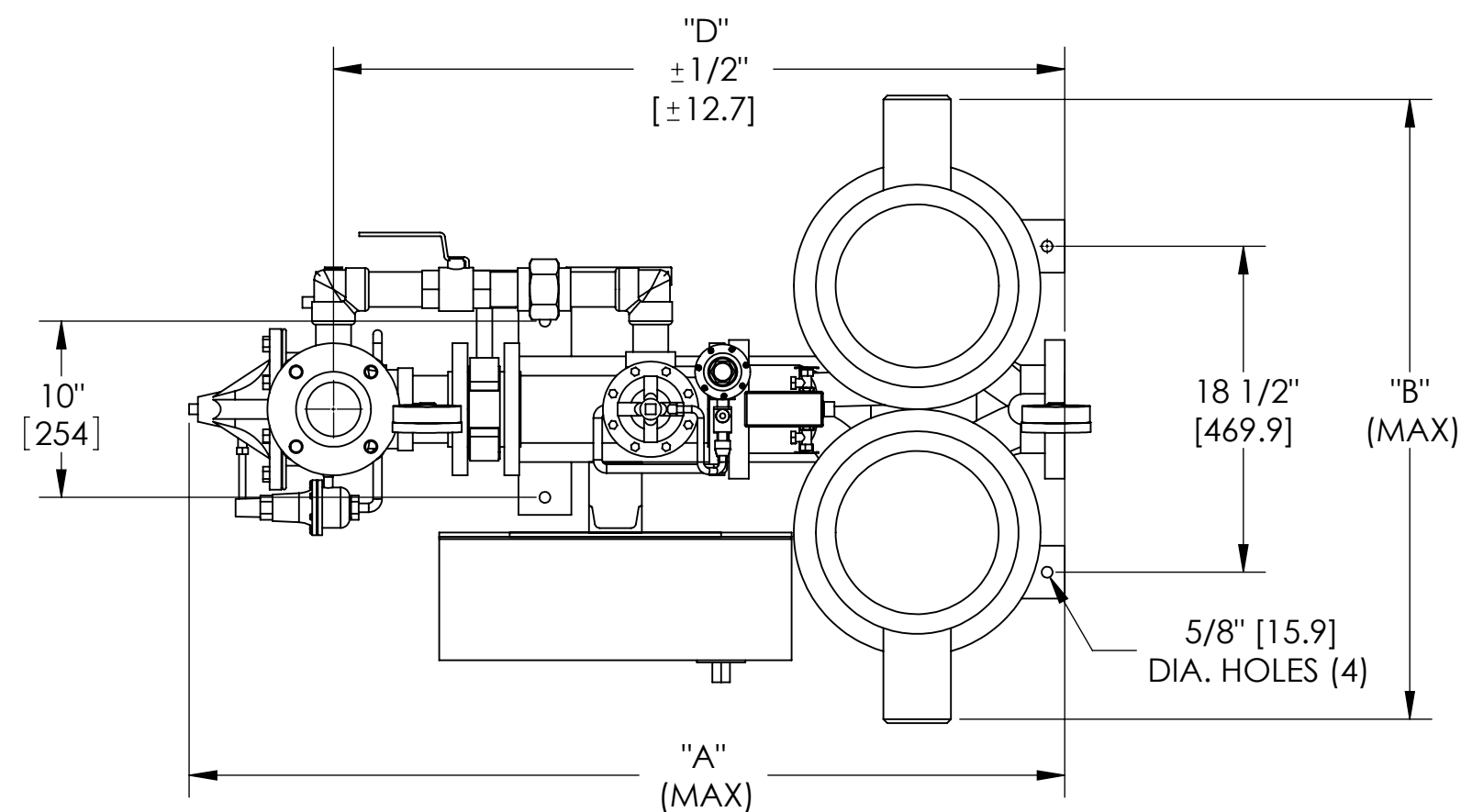


REVISIONS				
ZONE	REV.	DESCRIPTION	DATE	APPROVED
	D	REDRAWN WITH CHANGES. SEE E.O. #105680	2013/4/5	

FILE NO.: 62.5254
 DATE: May 10, 2013
 SUPERSEDES: 62.5254
 DATE: May 07, 2011



NOTES:

1 - Dimensions are based on factory choice standard components. For other than standard consult factory, as a new drawing may be required.

2 - All dimensions are in inches [Metric].

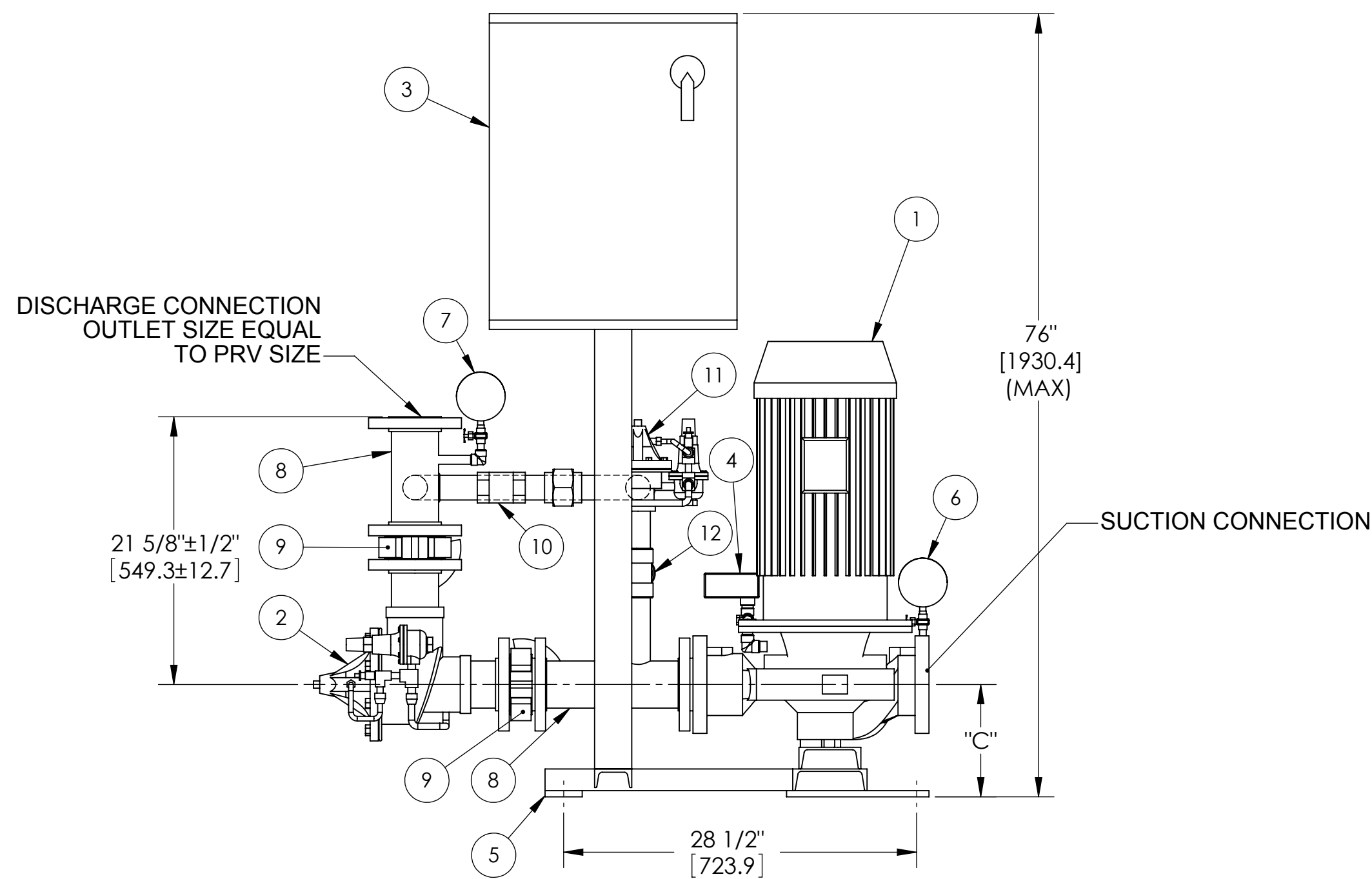
3 - Tolerances are +/- 1/4" [6.35] unless otherwise specified.

4 - Drawings are for layout purposes only.

Maximum System Pressure: 175 PSI 250 PSI

INLET ORIENTATION

RIGHT HAND - STD. AS SHOWN LEFT HAND



DIMENSIONS				
DUALPAK	A	B	C	D
6921-3x3x6	48.00 [1219.20]	30.00 [762.00]	9.25 [234.95]	40.75 [1035.05]
6922-3x3x8	49.00 [1244.60]	30.00 [762.00]	9.50 [241.30]	41.50 [1054.10]
6923-3x3x6	48.00 [1219.20]	30.00 [762.00]	9.25 [234.95]	40.75 [1035.05]
6924-3x3x8	49.00 [1244.60]	30.00 [762.00]	9.50 [241.30]	41.50 [1054.10]

1	DUALARM PUMP & MOTORS	7	DISCHARGE PRESSURE GAUGE
2	MAIN PRV	8	BY-PASS SPOOL
3	DUAL PUMP CONTROLLER	9	ISOLATION VALVE
4	AQUASTAT	10	1-1/2" BY-PASS ISOLATION VALVE
5	BASE & PANEL SUPPORT	11	1-1/2" BY-PASS PRV
6	SUCTION PRESSURE GAUGE	12	OPTIONAL 1-1/2" x 1" TANK TEE

DO NOT SCALE

PROPRIETARY AND CONFIDENTIAL
 THE INFORMATION CONTAINED IN THIS DRAWING IS THE SOLE PROPERTY OF S.A. ARMSTRONG. ANY REPRODUCTION IN PART OR AS A WHOLE WITHOUT THE WRITTEN PERMISSION OF S.A. ARMSTRONG IS PROHIBITED.



UNLESS OTHERWISE SPECIFIED:		NAME	DATE
DIMENSIONS ARE IN INCHES	DRAWN	SP	11/29/03
WEIGHT IN POUNDS	CHECKED	PR	2013/4/10
TOLERANCES:	Q.A.	BB	2013/4/10
FRACTIONAL ± 1/4	MFG APPR.	GL	2013/4/10
ANGULAR: MACH ± 0.5° BEND ± 0.5°	ENG APPR.	JC	2013/4/10
TWO PLACE DECIMAL ± 0.25	COMMENTS:		
THREE PLACE DECIMAL ± 0.020			
DIMENSIONING AND TOLERANCING PER:			
ASME Y14.5-1994			
MATERIAL			
FINISH			
APPLICATION			
DESIGN AUTHORITY: S.A. ARMSTRONG			



TITLE:
6921/2/3/4 DUALPAK DWB

SIZE	DWG. NO.	REV
C	2446-002	D
SCALE: NTS	WEIGHT:	SHEET 1 OF 1