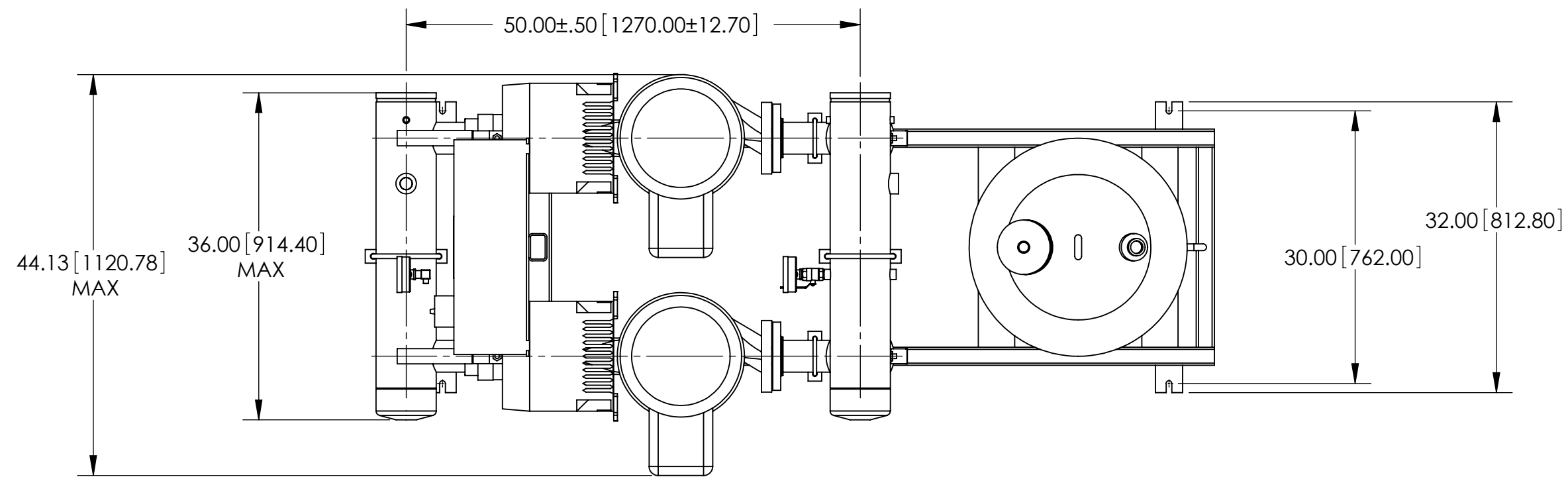


REVISIONS				
ZONE	REV.	DESCRIPTION	DATE	APPROVED
		ORIGINAL RELEASE, SEE E.O. #103688	5/13/10	JM

FILE NO.: 62.5272  
DATE: Jun. 01, 2010  
SUPERSEDES: New  
DATE: New



**NOTES:**

- 1 - Dimensions are based on factory choice standard components. For other than standard consult factory, as a new drawing may be required.
- 2 - All dimensions are in inches [mm].
- 3 - Tolerances are +/- 1/4" [6.35] unless otherwise specified.
- 4 - Drawings are for layout purposes only.
- 5 - Drawing 2508-100 is applicable for Pumps with suction size up to 3", 30hp @ 3600rpm, and nominal impeller diameters of 10". For larger sizes consult factory for new drawing.
- 6 - Booster is supplied with standard groove for header connections suitable for optional victaulic type or equivalent flanges (optionally supplied loose).

Maximum System Pressure:  175 PSI  200 PSI

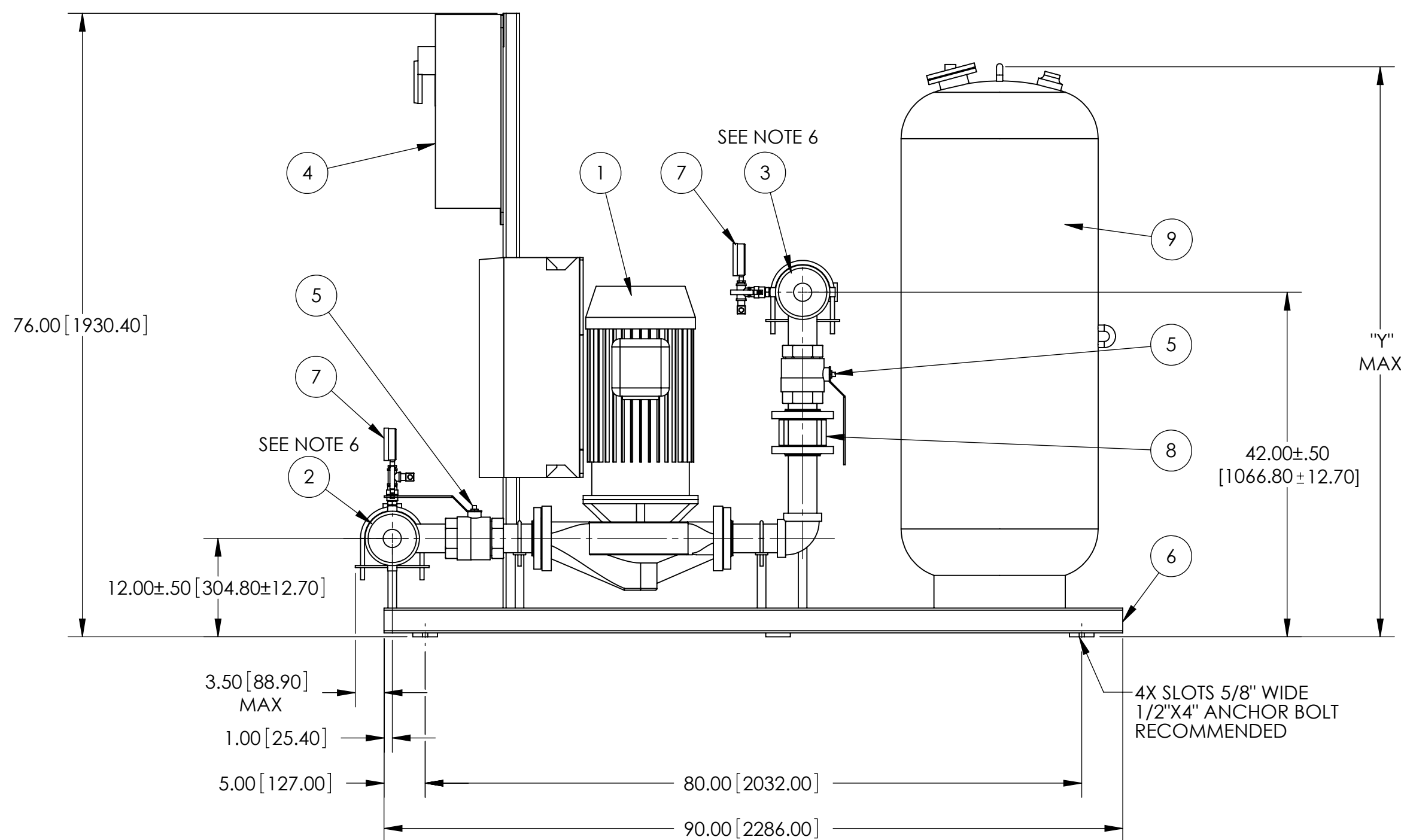
**CONNECTION ORIENTATION**

**SUCTION**

LEFT HAND - STD. AS SHOWN  RIGHT HAND

**DISCHARGE**

LEFT HAND - STD. AS SHOWN  RIGHT HAND



**TANK OPTIONS**

BLADDER TANK	RATING (PSI)	CAPACITY USG	DIMENSION "Y"
FX- 200V	150 (NON-ASME)	53	52.5" [1333.5]
FX- 300V		80	58.5" [1485.9]
FX-500V		132	64.5" [1638.3]
FX-750V		198	82.5" [2095.5]
400L	125 (ASME)	106	52.5" [1333.5]
500L		132	60.5" [1536.7]
600L		158	70.5" [1790.7]
800L		211	79.5" [2019.3]
700L	200 (ASME)	185	85.5" [2171.7]

HEADER SIZE	
<input type="checkbox"/>	3" IPS PIPE 304 S.S.
<input type="checkbox"/>	4" IPS PIPE 304 S.S.
<input type="checkbox"/>	6" IPS PIPE 304 S.S.

<b>1</b>	<b>PUMP, MOTOR, &amp; DRIVE</b>	<b>6</b>	<b>BASE &amp; PANEL SUPPORT</b>
<b>2</b>	<b>SUCTION CONNECTION</b>	<b>7</b>	<b>PRESSURE GAUGES</b>
<b>3</b>	<b>DISCHARGE CONNECTION</b>	<b>8</b>	<b>CHECK VALVES</b>
<b>4</b>	<b>CONTROL PANEL</b>	<b>9</b>	<b>DRAWDOWN TANK (SEE TANK CHART)</b>
<b>5</b>	<b>ISOLATION VALVES</b>		

DO NOT SCALE

PROPRIETARY AND CONFIDENTIAL  
THE INFORMATION CONTAINED IN THIS DRAWING IS THE SOLE PROPERTY OF S.A. ARMSTRONG. ANY REPRODUCTION IN PART OR AS A WHOLE WITHOUT THE WRITTEN PERMISSION OF S.A. ARMSTRONG IS PROHIBITED.



UNLESS OTHERWISE SPECIFIED:		NAME	DATE
DIMENSIONS ARE IN INCHES WEIGHT IN POUNDS		DRAWN	JMC 5/13/10
TOLERANCES: FRACTIONAL ±1/4 ANGULAR: MACH ±0.5° BEND ±0.5° TWO PLACE DECIMAL ±0.25 MFG APPR. BB 5/25/10 THREE PLACE DECIMAL ±0.020		CHECKED	DG 5/25/10
DIMENSIONING AND TOLERANCING PER: ASME Y14.5-1994		Q.A.	EH 5/25/10
MATERIAL		ENG APPR.	JM 5/25/10
FINISH		COMMENTS:	
NEXT ASSY	USED ON	<b>DO NOT SCALE</b>	
APPLICATION		DESIGN AUTHORITY: S.A. ARMSTRONG	

**ARMSTRONG**

TITLE: **6722/3IVS - DUPLEX DWB**

SIZE DWG. NO. REV  
**C 2508-100**

SCALE: 1:1 WEIGHT: SHEET 1 OF 1