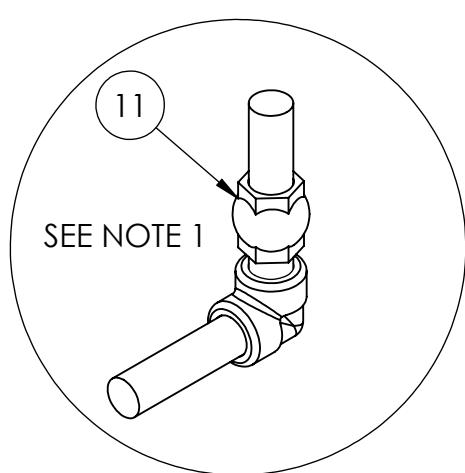
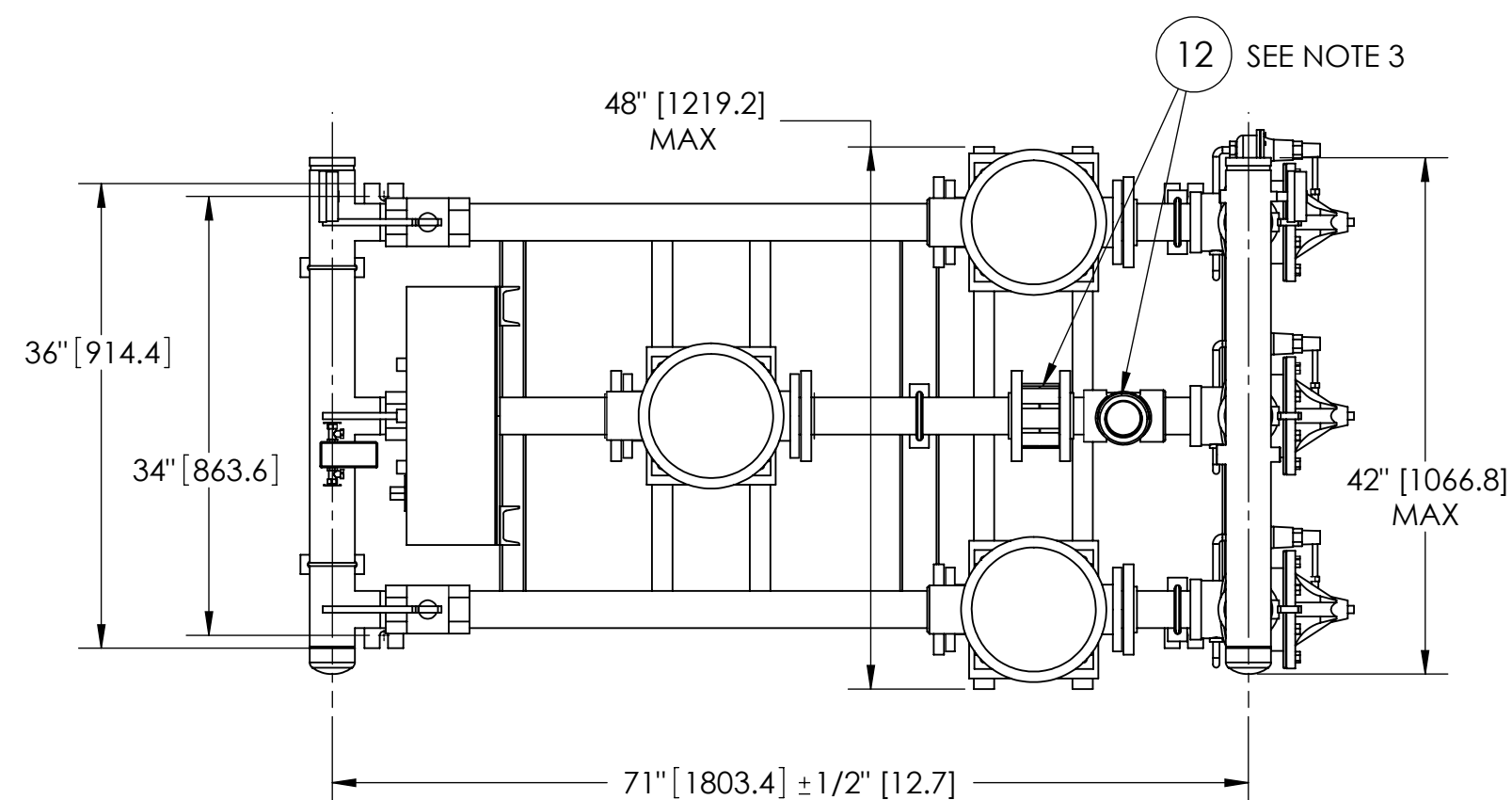


REVISIONS				
ZONE	REV.	DESCRIPTION	DATE	APPROVED
	D	REDRAWN WITH CHANGES, SEE E.O. #103838	2/14/11	

FILE NO.: 62.5233  
DATE: May 07, 2011  
SUPERSEDES: 62.5233  
DATE: Feb. 01, 2010



**INCLUDED**

- PRV
- CHECK VALVE

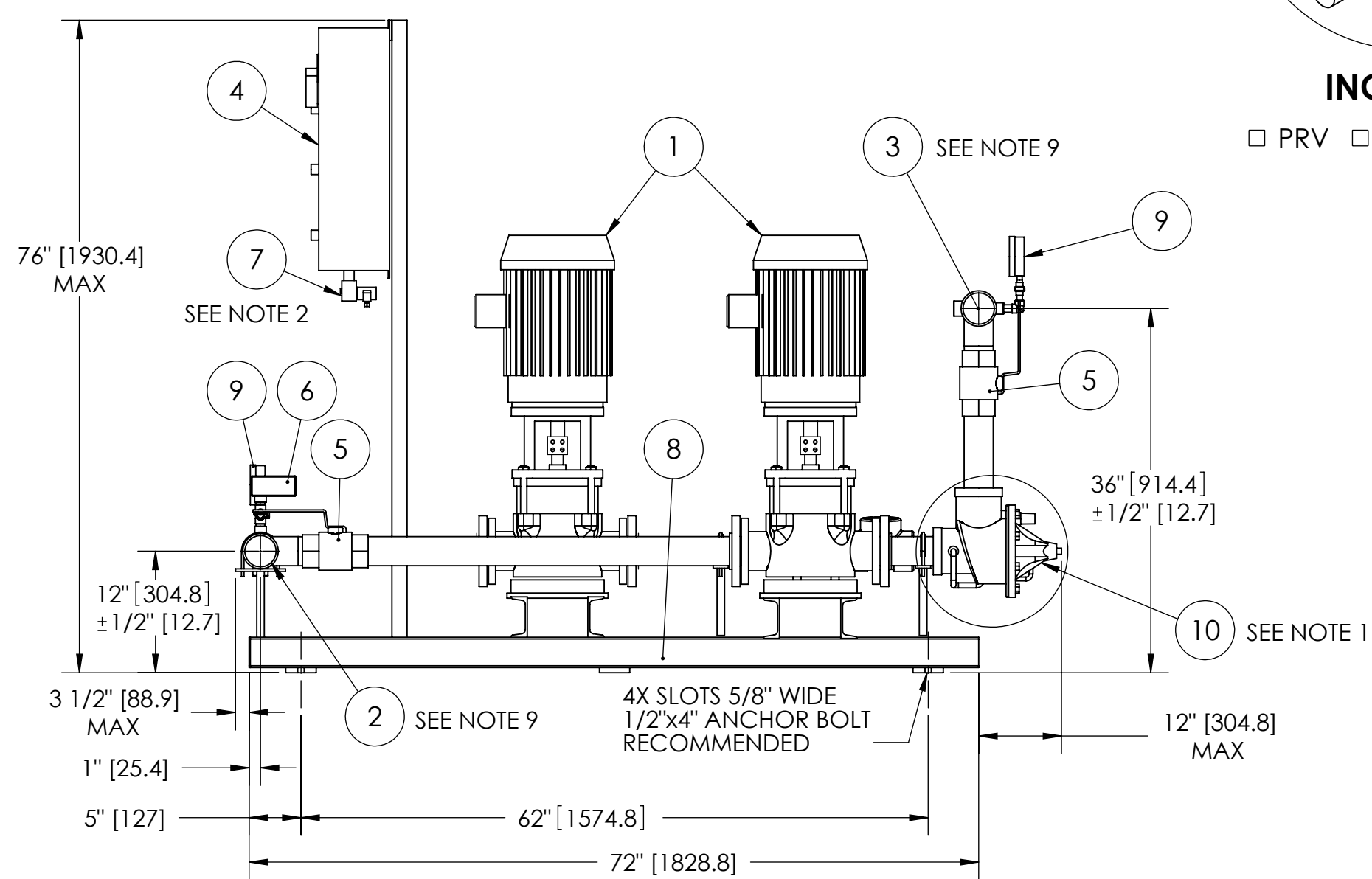
**NOTES:**

- 1 - Item ⑩ (PRV) is standard for constant speed packages.
- 2 - Item ⑦ is standard for continuous run packages and not standard for intermittent use packages, 1/4" NPT to be connected to drain by others.
- 3 - Items ⑫ are optionally available on Constant Speed systems with PRVs and adjacent mounted drawdown tanks. Dimensions in parenthesis applies when items ⑫ are used. For Check Valve only systems items ⑫ are not provided, dimensions in parenthesis do not apply and 1" [25.4] tank connection is located on discharge header.
- 4 - Dimensions are based on factory choice standard components. For other than standard consult factory, as a new drawing may be required.
- 5 - All dimensions are in inches [Metric].
- 6 - Tolerances are +/- 1/4" [6.35] unless otherwise specified.
- 7 - Drawings are for layout purposes only.
- 8 - Drawing 2402-007 is applicable for Pumps with connection size up to 3", 30hp @ 3600rpm, and nominal impeller diameters of 10". For other sizes consult factory for new drawing.
- 9 - Booster is supplied with standard groove for header connections suitable for optional victaulic type or equivalent flanges (optionally supplied loose).
- 10 - Type L copper suitable for 175psi, type K suitable for 250psi.

Maximum System Pressure:  175 PSI  250 PSI

**INLET ORIENTATION**

- LEFT HAND - STD. AS SHOWN
- RIGHT HAND

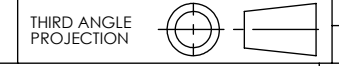


HEADER SIZE	
<input type="checkbox"/>	3" IPS PIPE 304 S.S.
<input type="checkbox"/>	4" IPS PIPE 304 S.S.
<input type="checkbox"/>	6" IPS PIPE 304 S.S.

<b>1</b>	<b>PUMP &amp; MOTOR</b>	<b>8</b>	<b>BASE &amp; PANEL SUPPORT</b>
<b>2</b>	<b>SUCTION CONNECTION</b>	<b>9</b>	<b>PRESSURE GAUGES</b>
<b>3</b>	<b>DISCHARGE CONNECTION</b>	<b>10</b>	<b>PRESSURE REDUCING VALVE (PRV)</b>
<b>4</b>	<b>CONTROL PANEL</b>	<b>11</b>	<b>CHECK VALVE ONLY (OPTIONAL)</b>
<b>5</b>	<b>ISOLATION VALVES</b>	<b>12</b>	<b>TM CHECK VALVE &amp; TEE (SEE NOTE 3)</b>
<b>6</b>	<b>AQUASTAT</b>		
<b>7</b>	<b>SOLENOID VALVE (1/4" NPT)</b>		

DO NOT SCALE

**PROPRIETARY AND CONFIDENTIAL**  
THE INFORMATION CONTAINED IN THIS DRAWING IS THE SOLE PROPERTY OF S.A. ARMSTRONG. ANY REPRODUCTION IN PART OR AS A WHOLE WITHOUT THE WRITTEN PERMISSION OF S.A. ARMSTRONG IS PROHIBITED.



UNLESS OTHERWISE SPECIFIED:		NAME	DATE
DIMENSIONS ARE IN INCHES		DRAWN	SP 11/29/03
WEIGHT IN POUNDS		CHECKED	JMC 3/30/11
TOLERANCES:		Q.A.	EH 3/30/11
FRACTIONAL ±1/4		MFG APPR.	JRL 3/30/11
ANGULAR: MACH ±0.5° BEND ±0.5°		ENG APPR.	JC 3/30/11
TWO PLACE DECIMAL ±0.25		COMMENTS:	
THREE PLACE DECIMAL ±0.020			
DIMENSIONING AND TOLERANCING PER: <b>ASME Y14.5-1994</b>			
MATERIAL			
FINISH			
APPLICATION			
DESIGN AUTHORITY: S.A. ARMSTRONG			

**ARMSTRONG**

TITLE: **6737 - TRIPLEX DWB**

SIZE DWG. NO. REV  
**C** 2402-007 **D**

SCALE: NTS WEIGHT: SHEET 1 OF 1