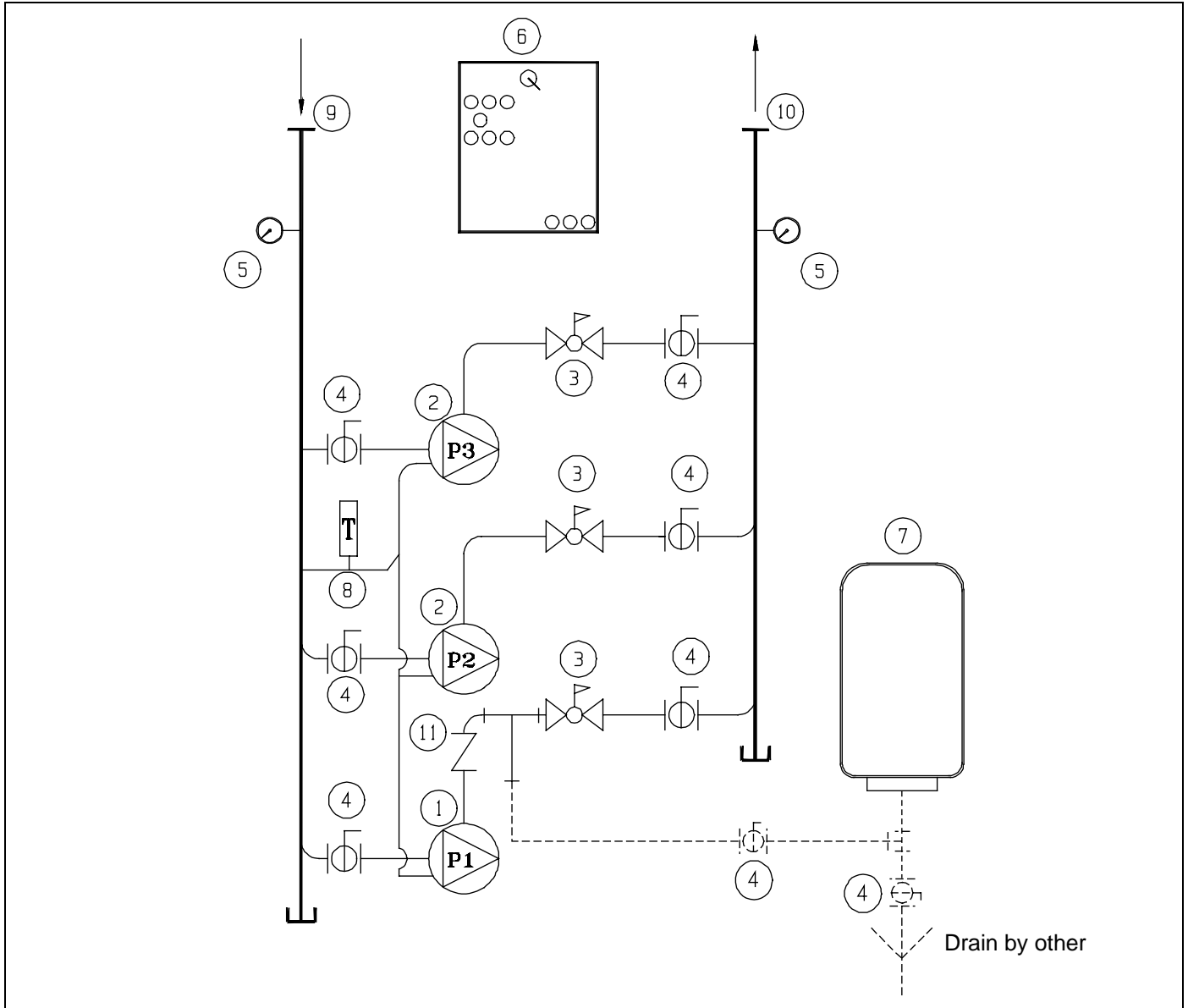


Triplex Booster Piping Schematic Equal Size Lag Pumps



ADJACENT or SKID MOUNTED TANK PIPED to P1

1. LEAD PUMP AND MOTOR	6. CONTROL PANEL	11. CHECK VALVE
2. LAG PUMP AND MOTOR	7. HYDRO-PNEUMATIC TANK	
3. PILOT OPERATED PRV & CHECK VALVE	8. AQUASTAT	
4. ISOLATION VALVES	9. SUCTION MANIFOLD	
5. PRESSURE GAUGES	10. DISCHARGE MANIFOLD	

Note: Dashed items are supplied on skid mounted packages only. Drain not supplied.

S. A. Armstrong Limited
 23 Bertrand Avenue
 Toronto, Ontario
 Canada, M1L 2P3
 T: (416) 755-2291
 F (Main): (416) 759-9101

Armstrong Pumps Inc.
 93 East Avenue
 North Tonawanda, New York
 U.S.A. 14120-6594
 T: (716) 693-8813
 F: (716) 693-8970

Armstrong Holden Brooke Pullen
 Wenlock Way
 Manchester
 United Kingdom, M12 5JL
 T: +44 (0) 1612 232223
 F: +44 (0) 1612 209660

