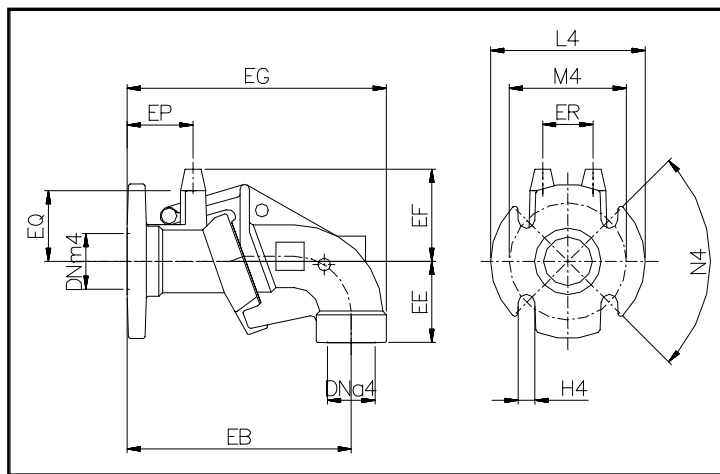


SUBMITTAL

Job: _____ _____ _____ Engineer: _____ Contractor: _____	Representative: _____ _____ _____ Order No: _____ Date: _____ Submitted by: _____ Date: _____ Approved by: _____ Date: _____
--	---

DIMENSIONAL DRAWING



DIMENSIONS IN Inch and mm

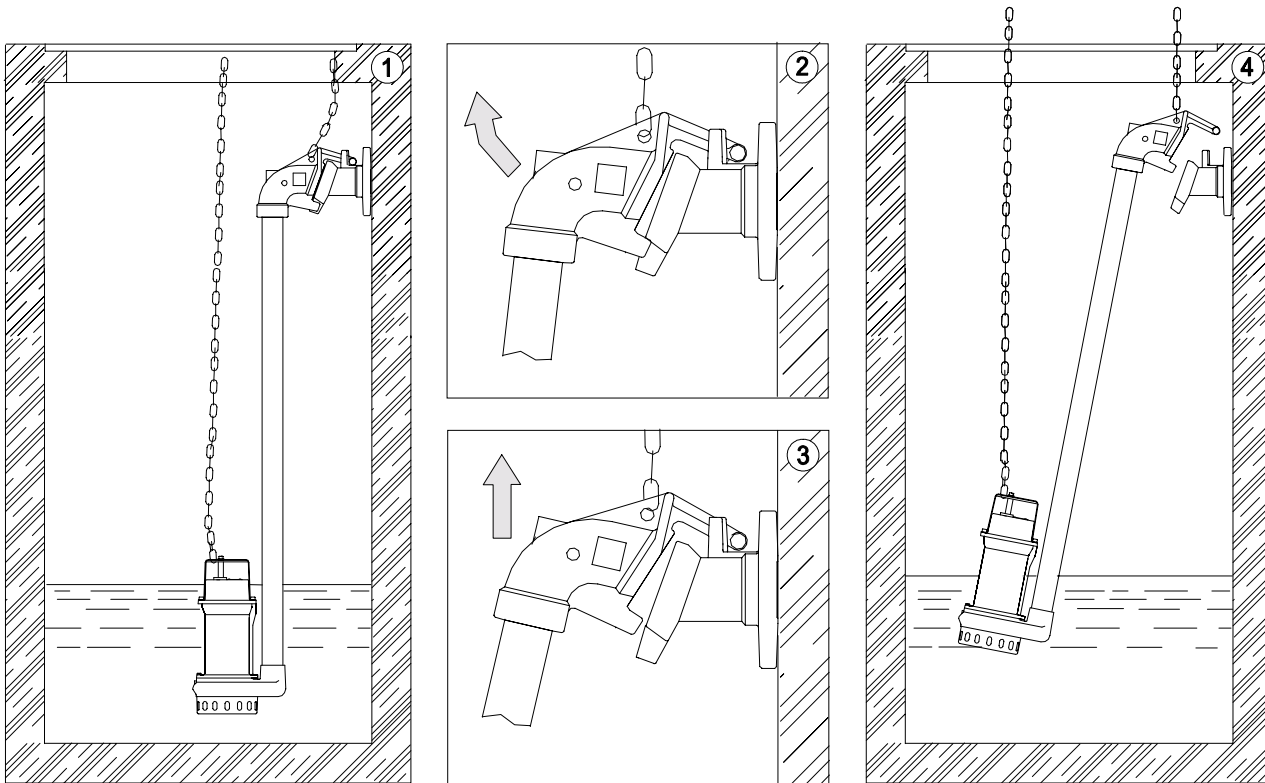
	Dna4	DNm4	EB	EE	EF	EG	H4	L4	M4	N4	EP	EQ	ER
mm	51	51	240	87	98.5	278	18	165	125	90°	70.5	75.5	54
Inch	2	2	9 4/9	3 3/7	3 7/8	11	5/7	6 1/2	5	90°	2 7/9	3	2 1/8

All dimensions in inch and mm.

MATERIALS OF CONSTRUCTION

Fixed part	Cast Iron
Mobile part	Cast Iron
Gasket	Rubber NBR
Painting	Ecological epoxy vinyl

EXTERNAL COUPLING INSTALLATION GUIDE



The 2" external coupling allows for an easy and quick installation of small vertical outlet pumps. It ensures a rapid lift of the pump and pipe assembly thanks to the T connection system between the fix and the mobile part.

S.A. Armstrong Limited
 23 Bertrand Avenue
 Toronto, Ontario
 Canada, M1L 2P3
 Tel: (416) 755-2291
 Fax: (416) 759-9101
 Visit us at www.armstrongpumps.com

Armstrong Pumps Limited
 Peartree Road, Stanway
 Colchester, Essex
 United Kingdom, C03 5JX
 Tel: 01206-579491
 Fax: 01206-760532



Armstrong Pumps Inc.
 93 East Avenue
 Buffalo, New York
 U.S.A. 14120-6594
 Tel: (716) 693-8813
 Fax: (716) 693-8970

Armstrong Darling Inc.
 2200 Place Transcanadienne
 Montreal, Quebec
 Canada, H9P 2X5
 Tel: (514) 421-2424
 Fax: (514) 421-2436

