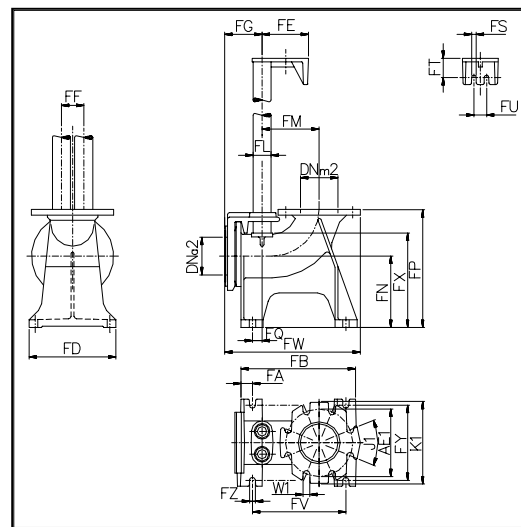
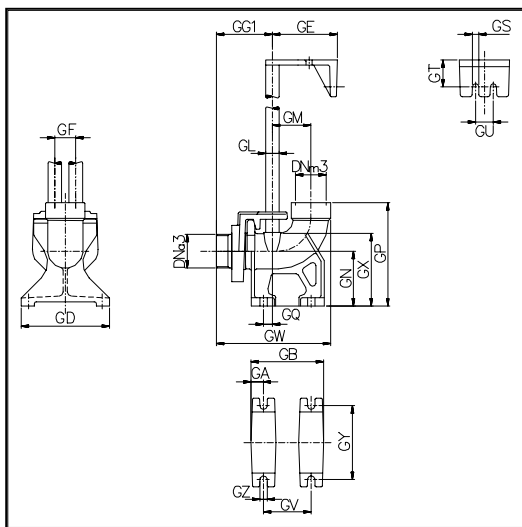


SUBMITTAL

Job: _____ _____ _____ Engineer: _____ Contractor: _____	Representative: _____ _____ _____ Order No: _____ Date: _____ Submitted by: _____ Date: _____ Approved by: _____ Date: _____
--	---

DIMENSIONAL DRAWING



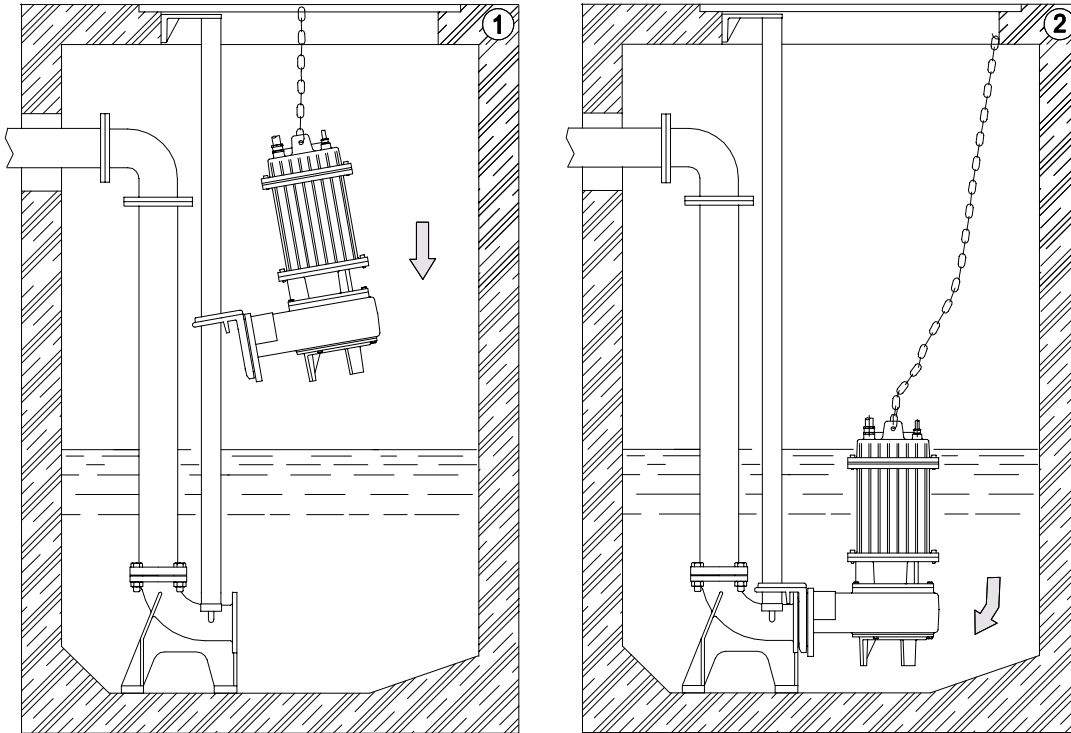
DIMENSIONAL DATA in Inch (mm)

	Inch (mm)		Inch (mm)		Inch (mm)		Inch (mm)		Inch (mm)		
	1' ½ - 2"		2"		65		80		100		
Dna3	1 ½	(38)	2	(51)	DNa2	2 5/9	(65)	3 1/7	(80)	4	(100)
DNm3	2	(51)	2	(51)	DNm2	2 5/9	(65)	3 1/7	(80)	4	(100)
GA	1	(25)	1	(25)	FA	1	(25)	1 1/3	(34)	1 4/7	(40)
GB	5 1/2	(140)	5 1/2	(140)	FB	11 2/9	(285)	12 2/7	(312)	12 2/5	(315)
GD	6 3/5	(168)	6 3/5	(168)	FD	4 5/7	(120)	9 1/7	(232)	9 1/7	(232)
GE	4 7/8	(124)	4 7/8	(124)	FF	2 2/5	(61)	2 2/5	(61)	2 2/5	(61)
GF	1 4/7	(40)	1 4/7	(40)	FG	4	(100)	3 8/9	(99)	4	(100)
GG1	6	(152)	4	(104)	FE	4 7/8	(124)	4 7/8	(124)	4 7/8	(124)
GL	3/4	(19)	3/4	(19)	FL	1 ½	(38)	1 ½	1 ½	1 ½	1 ½
GM	3	(74)	3	(74)	FM	7	(180)	5 3/5	(142)	6	(153)
GN	4	(104)	4	(104)	FN	7 2/7	(185)	7 1/2	(190)	7 1/2	(190)
GX	5 1/2	(140)	5 1/2	(140)	FW	10	(256)	9 1/2	(241)	9 7/8	(251)
GP	7 3/4	(197)	7 3/4	(197)	FP	12 1/2	(317)	12 4/9	(316)	12 1/3	(314)
GQ	2/3	(17)	2/3	(17)	FQ	1 2/3	(43)	1 3/7	(36.5)	1	(25.5)
GW	10 2/5	(264)	8 1/2	(216)	FW	14 2/3	(372)	13 3/7	(341)	14 2/7	(363)
GS	1/2	(12)	1/2	(12)	FS	1/2	(12)	1/2	(12)	1/2	(12)
GT	2	(51)	2	(51)	FT	2	(51)	2	(51)	2	(51)
GU	1 1/3	(34)	1 1/3	(34)	FU	1 1/3	(34)	1 1/3	(34)	1 1/3	(34)
GV	3 4/7	(91)	3 4/7	(91)	FV	9 1/4	(235)	9 5/6	(250)	9 5/6	(250)
GZ	1/2	(13)	1/2	(13)	FZ	5/9	(14)	5/8	(16)	5/8	(16)
GY	5 1/2	(140)	5 1/2	(140)	K1	7 2/7	(185)	7 7/8	(200)	8 2/3	(220)
					J1	90°	90°	90°	90°	45°	45°
					FY	3 1/7	(80)	7 7/8	(200)	7 7/8	(200)
					W1	5/7	(18)	5/7	(18)	6/7	(22)
					AE1	5 5/7	(145)	6 2/7	(160)	7	(180)

MATERIALS OF CONSTRUCTION

Fixed part	Cast Iron	Upper bracket	Cast Iron
Mobile part	Cast Iron	Painting	Ecological epoxy vinyl
Gasket	Rubber NBR		

COUPLING FOOT BASE WITH VERTICAL OUTLET



The coupling foot is recommended for ease of maintenance of the submersible pump when connected to the pump discharge in a sump pit application.

The Coupling foot system is specifically suited for pumps featuring horizontal outlet. Once the coupling foot has been bolted down to the bottom of the sump it allows the descent or the lifting of the pump on the guide rails.

S.A. Armstrong Limited
 23 Bertrand Avenue
 Toronto, Ontario
 Canada, M1L 2P3
 Tel: (416) 755-2291
 Fax: (416) 759-9101
 Visit us at www.armstrongpumps.com

Armstrong Pumps Limited
 Peartree Road, Stanway
 Colchester, Essex
 United Kingdom, C03 5JX
 Tel: 01206-579491
 Fax: 01206-760532



Armstrong Pumps Inc.
 93 East Avenue
 Buffalo, New York
 U.S.A. 14120-6594
 Tel: (716) 693-8813
 Fax: (716) 693-8970

Armstrong Darling Inc.
 2200 Place Transcanadienne
 Montreal, Quebec
 Canada, H9P 2X5
 Tel: (514) 421-2424
 Fax: (514) 421-2436

© S.A. Armstrong Limited 2000

