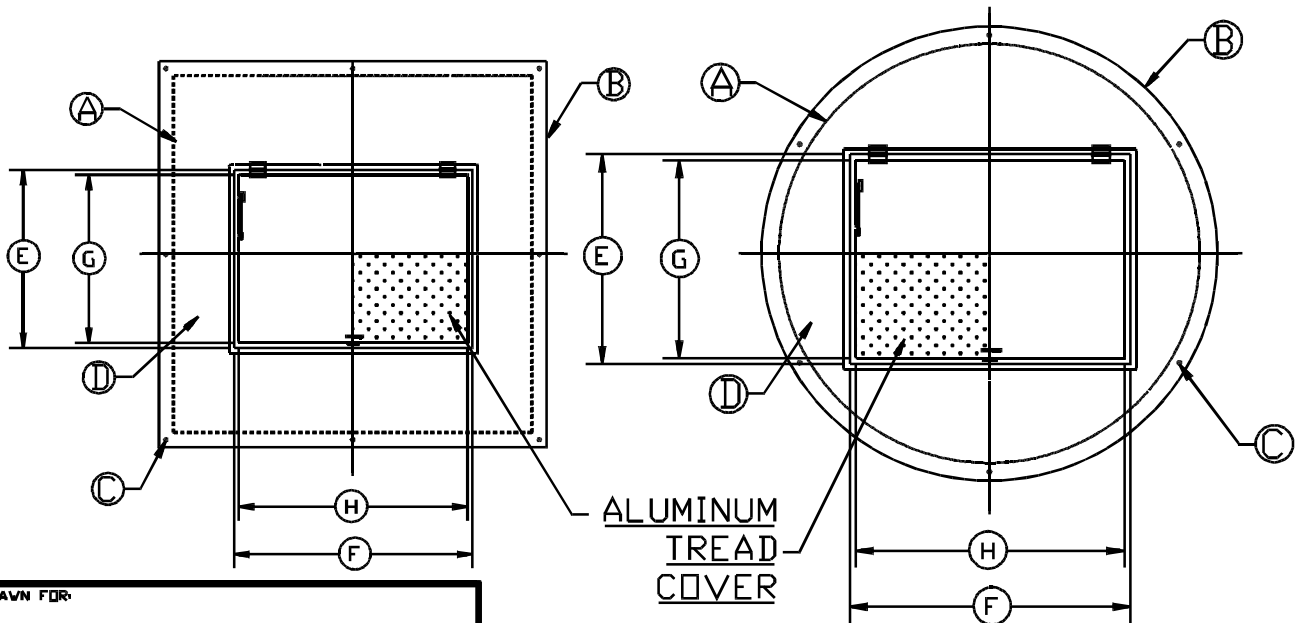


## Submersible Pumps - Aluminum Hinged Door Covers

PART#	(A) BASIN I.D.	(B) COVER O.D.	(C) BOLT CIRCLE	(D) COVER THICKNESS	(E) DOOR WIDTH	(F) DOOR LENGTH	(G) CLEAR OPENING WIDTH	(H) CLEAR OPENING LENGTH
LB-A30HDC LB-A30HDC-01	30 30X30	34 34X34	32 1/2 32.5X32.5	1/4	16	22	14	20
LB-A36HDC LB-A36HDC-01	36 36X36	40 40X40	38 1/2 38.5X38.5	1/4	18	28	16	26
LB-A42HDC LB-A42HDC-01	42 42X42	46 46X46	44 1/2 44.5X44.5	1/4	20	32	18	30
LB-A48HDC LB-A48HDC-01	48 48X48	54 54X54	51 51X51	1/4	26	36	24	34
LB-A54HDC LB-A54HDC-01	54 54X54	60 60X60	57 57X57	3/8	26	36	24	34
LB-A60HDC LB-A60HDC-01	60 60X60	66 66X66	63 63X63	3/8	32	44	30	42
LB-A66HDC LB-A66HDC-01	66 66X66	72 72X72	69 69X69	3/8	32	44	30	42
LB-A72HDC LB-A72HDC-01	72 72X72	78 78X78	75 75X75	3/8	36	48	34	46

ALL DIMENSIONS IN INCHES

ALL BOLT HOLES ARE 3/16" DIA.



DRAWN FOR:	
DESCRIPTION: ALUMINUM HDC COVER	
DRAWING NUMBER: 0004	
DATE: 9/8/00	SCALE: NONE

**S.A. Armstrong Limited**  
 23 Bertrand Avenue  
 Toronto, Ontario  
 Canada, M1L 2P3  
 Tel: (416) 755-2291  
 Fax: (416) 759-9101  
 Visit us at [www.armstrongpumps.com](http://www.armstrongpumps.com)

**Armstrong Pumps Limited**  
 Peartree Road, Stanway  
 Colchester, Essex  
 United Kingdom, C03 5JX  
 Tel: 01206-579491  
 Fax: 01206-760532



© S. A. Armstrong Limited 2001

**Armstrong Pumps Inc.**  
 93 East Avenue  
 Buffalo, New York  
 U.S.A. 14120-6594  
 Tel: (716) 693-8813  
 Fax: (716) 693-8970

**Armstrong Darling Inc.**  
 2200 Place Transcanadienne  
 Montreal, Quebec  
 Canada, H9P 2X5  
 Tel: (514) 421-2424  
 Fax: (514) 421-2436

