



SERIES 5300
SUMP 5310
 SUBMERSIBLE PUMP

FILE No.:	53.531
DATE:	December 1, 1998
SUPERSEDES:	NEW
DATE:	NEW

SUBMITTAL

JOB: _____	REPRESENTATIVE: _____
_____	_____
_____	_____
ENGINEER: _____	ORDER No: _____ DATE: _____
CONTRACTOR: _____	SUBMITTED BY: _____ DATE: _____
	APPROVED BY: _____ DATE: _____

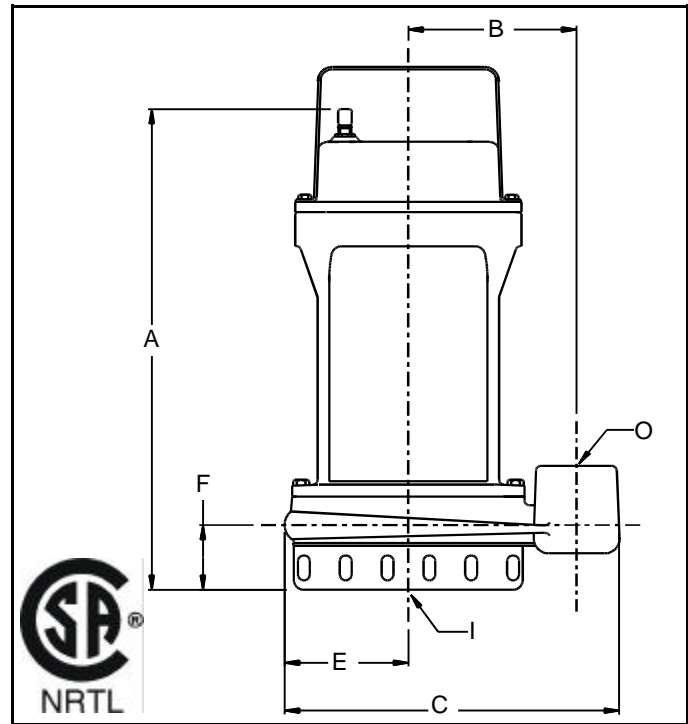
PUMP DESIGN DATA	
No. OF PUMPS:	
TAG:	
CAPACITY: _____ USGPM (m ³ /h, l/s)	HEAD: _____ (ft. m)
SOLIDS HANDLING: _____	UP TO 5/8" (16 MM)
APPROVAL: _____	CSA & NRTL

MATERIALS OF CONSTRUCTION	
PUMP CASING	CAST IRON
IMPELLER:	CAST IRON - OPEN MULTICHANNEL
SHAFT:	STAINLESS STEEL AISI 416
HARDWARE:	STAINLESS STEEL
SEAL:	1 VITON DOUBLE LIP SEAL 1 CARBON CERAMIC MECHANICAL
BEARINGS:	PERMANENTLY GREASED BALL BEARINGS

PUMP OPERATING CONDITIONS	
OPERATION:	<input type="checkbox"/> AUTOMATIC <input type="checkbox"/> MANUAL
OPERATING TEMPERATURE:	176°F - INTERMITTANT 104°F - CONTINUOUS

REMARKS

MOTOR DESIGN DATA	
RUN CAPACITOR BUILT IN (SINGLE PHASE ONLY)	
ENERGY EFFICIENT	
OIL FREE - ENVIRONMENTALLY FRIENDLY	
THERMAL OVERLOAD PROTECTED (SINGLE PHASE ONLY)	
POWER CORD:	21 FT. SJOW (SINGLE Ph) 21 FT. SOW (THREE Ph)
INSULATION CLASS:	CLASS F (311° F) FOR UP TO 1HP CLASS H (354° F) FOR 1 1/2 HP



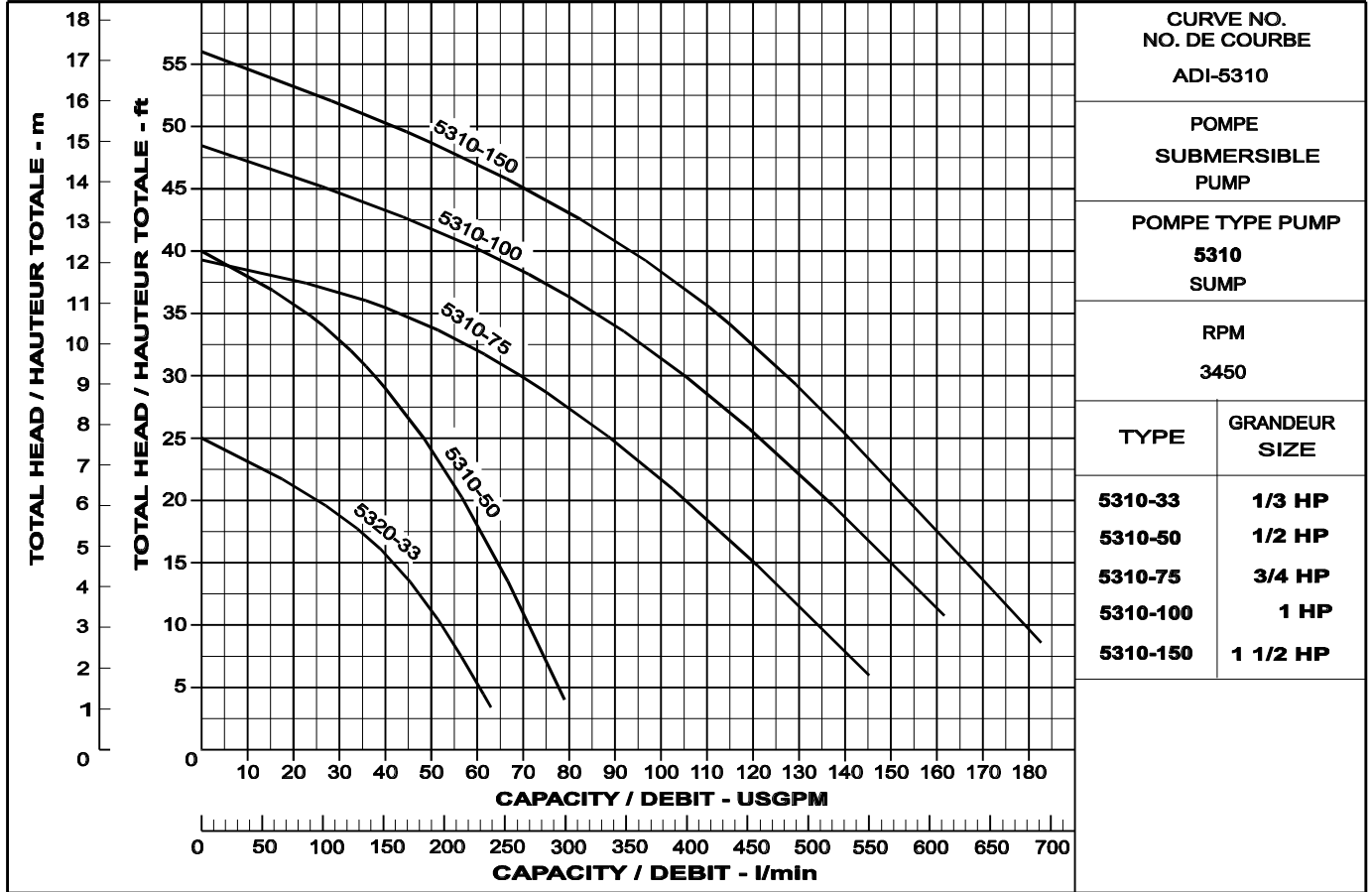
PUMP TYPE SUMP	DIMENSIONS (ins)						
	A	B	C	E	F	I	O
5310-33	12 3/4	3 3/4	8 1/4	3 1/8	2	1 3/4	1 1/4
5310-50	12 3/4	3 3/4	8 1/4	3 1/8	2	1 3/4	1 1/4
5310-75	15 1/2	4 1/2	9 5/8	3 1/2	3 1/8	2	2
5310-100	15 11/16	4 1/2	9 1/2	3 3/4	3 1/8	2 1/8	2
5310-150	15 11/16	4 1/2	9 1/2	3 3/4	3 1/8	2 1/8	2



SERIES 5300
SUMP 5310
 SUBMERSIBLE PUMP

FILE No.:	53.531
DATE:	December 1, 1998
SUPERSEDES:	NEW
DATE:	NEW

PERFORMANCE CURVES



CURVE NO. NO. DE COURBE	
ADI-5310	
POMPE SUBMERSIBLE PUMP	
POMPE TYPE PUMP	
5310 SUMP	
RPM	
3450	
TYPE	GRANDEUR SIZE
5310-33	1/3 HP
5310-50	1/2 HP
5310-75	3/4 HP
5310-100	1 HP
5310-150	1 1/2 HP

PUMP TYPE SUMP	CAPACITY @ TOTAL HEAD													
	USGPM l/min	0	10	20	30	40	50	60	80	100	120	140	160	180
5310-33	ft m	25 7.6	23 7	21 6.4	19 5.8	16 4.9	11 3.4	5 1.5						
5310-50	ft m	40 12.2	38 11.6	36 11	33 10	29 8.8	24 7.3	18 5.5						
5310-75	ft m	39 11.9	38 11.6	37 11.3	36 11	35 10.7	34 10.4	33 10	28 8.5	22 6.7	15 4.6	8 2.4		
5310-100	ft m	48 14.6	47 14.3	46 14	45 13.7	44 13.4	42 12.8	40 12.2	36 11	31 9.5	25 7.6	18 5.5	11 3.4	
5310-150	ft m	56 17	54 16.5	53 16.2	52 15.9	50 15.2	48 14.6	47 14.3	43 13.1	38 11.6	33 10	25 7.6	18 5.5	10 3

FLA				
VOLTAGE				
115/1/60	230/1/60	230/3/60	460/3/60	575/3/60
5.4	2.7			
7.2	3.6			
12.4	6.2	3.4	1.6	1.4
	7.9	4.7	2.2	1.8
	8.2	6.0	3.0	2.4

S.A. Armstrong Limited
 23 Bertrand Avenue
 Toronto, Ontario
 Canada, M1L 2P3
 Tel: (416) 755-2291
 Fax: (416) 759-9101

Armstrong Pumps Limited
 Peartree Road, Stanway
 Colchester, Essex
 United Kingdom, C03 5JX
 Tel: 01206-579491
 Fax: 01206-760532



Armstrong Pumps Inc.
 93 East Avenue
 Buffalo, New York
 U.S.A. 14120-6594
 Tel: (716) 693-8813
 Fax: (716) 693-8970

Armstrong Darling Inc.
 2200 Place Transcanadienne
 Montreal, Quebec
 Canada, H9P 2X5
 Tel: (514) 421-2424
 Fax: (514) 421-2436

