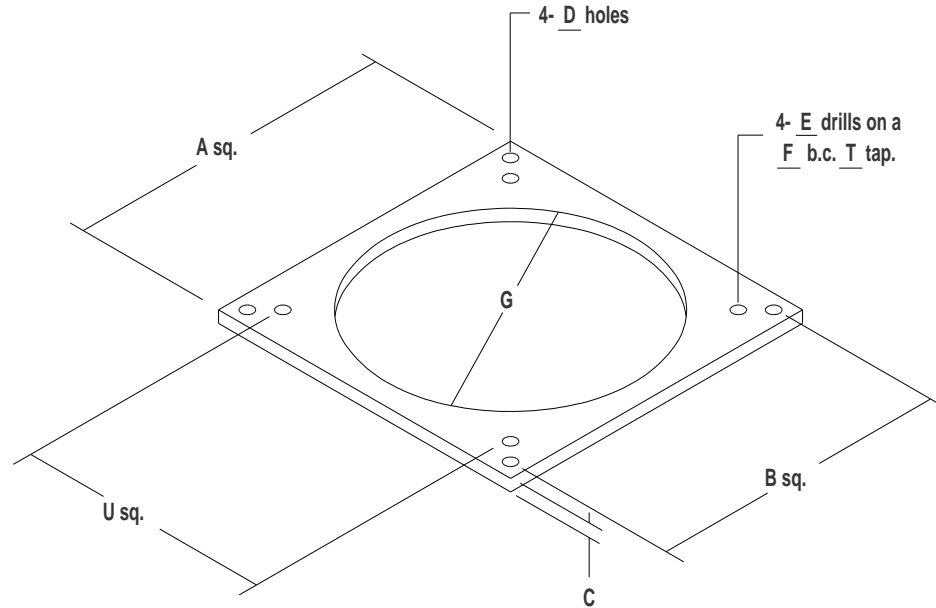


BASE PLATE



BASE PLATE DIMENSION									
HEAD	A	B	C	D	E	F	G	T	U
AT10	18"	15 1/2"	1"	3/4"	21/32"	14 3/4"	13"	3/4 -10	10 1/2"
AT20 -25	20"	17 1/2"	1"	7/8"	21/32"	17"	13"	3/4 -10	12"
AT30 -35	22"	19"	1"	1"	21/32"	18 3/4"	14 3/4"	3/4 -10	13 1/4"
AT40 -45	22"	19"	1"	1"	21/32"	18 3/4"	14 3/4"	3/4 -10	13 1/4"
AT50	24"	21"	1"	1 1/8"	21/32"	22"	16"	3/4 -10	15 1/2"
AT60	24"	21"	1"	1 1/8"	21/32"	22"	16"	3/4 -10	15 1/2"

S.A. Armstrong Limited
 23 Bertrand Avenue
 Toronto, Ontario
 Canada, M1L 2P3
 Tel: (416) 755-2291
 Fax: (416) 759-9101

Armstrong Pumps Limited
 Peartree Road, Stanway
 Colchester, Essex
 United Kingdom, C03 5JX
 Tel: 01206-579491
 Fax: 01206-760532



Armstrong Pumps Inc.
 93 East Avenue
 Buffalo, New York
 U.S.A. 14120-6594
 Tel: (716) 693-8813
 Fax: (716) 693-8970
 1-800-FLOW-845

Armstrong Darling Inc.
 2200 Place Transcanadienne
 Montreal, Quebec
 Canada, H9P 2X5
 Tel: (514) 421-2424
 Fax: (514) 421-2436
 Printed in Canada