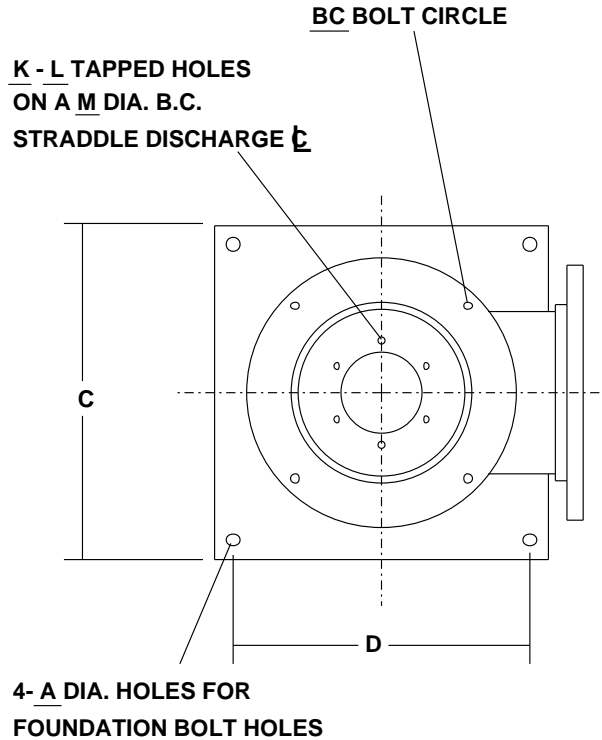
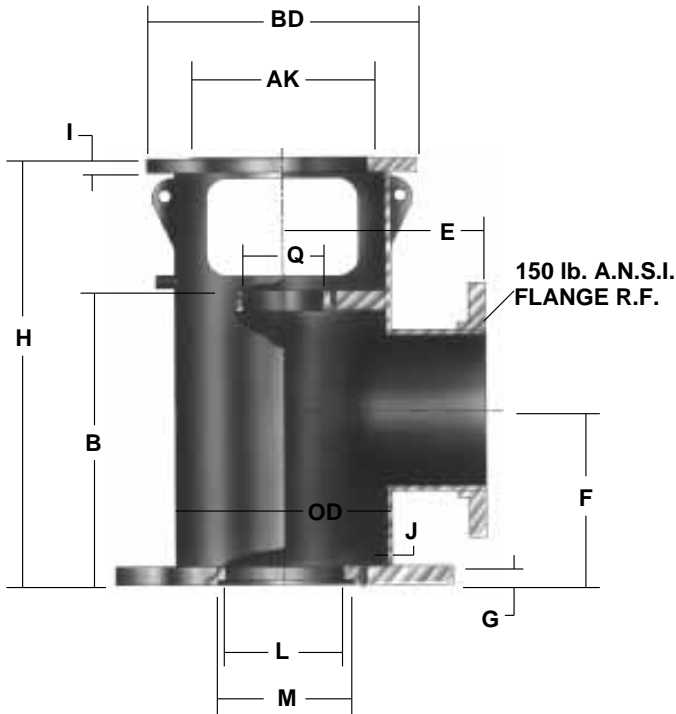


## TYPE "F" DISCHARGE HEAD



DISCHARGE SIZE	F HEAD DIMENSIONS															MAX. LOAD WEIGHT POUNDS
	B.D.	A.K.	B.C.	OD	A	B	C	D	E	F	G	H	H1	I	WALL J	
3"-4"	12"	8 1/4"	9 1/8"	10 3/4"	7/8"	12"	15"	13"	11"	7"	1 3/8"	23"	33"	7/8"	.365"	8,000
3"-4"	16 1/2"	13 1/2"	14 3/4"	12"	1"	12"	20"	17"	11"	7"	1 3/8"	23"	33"	1"	.375"	7,000
6"	12"	8 1/4"	9 1/8"	10 3/4"	7/8"	14"	18"	15"	11"	9"	1 3/8"	24"	34"	7/8"	.365"	11,400
6"	16 1/2"-20"	13 1/2"	14 3/4"	14"	1"	14"	25"	22"	14"	9"	1 3/8"	24"	34"	1"	.375"	7,000
8"	16 1/2"-20"	13 1/2"	14 3/4"	16"	1"	16"	25"	22"	14"	10"	1 3/8"	27"	37"	1"	.375"	8,900
8"	24 1/2"	13 1/2"	14 3/4"	18"	1 1/8"	16"	25"	22"	14"	10"	1 5/8"	27"	37"	1 1/8"	.375"	12,400
10"	16 1/2"-20"	13 1/2"	14 3/4"	16"	1"	18"	25"	22"	14"	11"	1 3/8"	28"	38"	1"	.375"	11,700
10"	24 1/2"	13 1/2"	14 3/4"	18"	1 1/8"	18"	32"	28"	16"	11"	1 5/8"	28"	38"	1 1/8"	.375"	11,250
10"	30 1/2"	22"	26"	20"	1 1/4"	18"	38"	34"	20"	11"	1 5/8"	30"	40"	1 3/8"	.375"	9,400
12"	16 1/2"-20"	13 1/2"	14 3/4"	16"	1"	22"	25"	22"	14"	13"	1 3/8"	32"	42"	1"	.375"	15,000
12"	24 1/2"	13 1/2"	14 3/4"	18"	1 1/8"	22"	32"	28"	16"	13"	1 5/8"	32"	42"	1 1/8"	.375"	13,250
12"	30 1/2"	22"	26"	20"	1 1/4"	22"	38"	34"	20"	13"	1 5/8"	34"	42"	1 3/8"	.375"	10,500
14"	20"	13 1/2"	14 3/4"	18"	1"	23"	25"	22"	14"	14"	1 3/8"	34"	42"	1"	.375"	18,600
14"	24 1/2"	13 1/2"	14 3/4"	18"	1 1/8"	23"	32"	28"	16"	14"	1 5/8"	34"	44"	1 1/8"	.375"	14,750
14"	30 1/2"	22"	26"	20"	1 1/4"	23"	38"	34"	20"	14"	1 5/8"	36"	46"	1 3/8"	.375"	14,750
16"	20"	13 1/2"	14 3/4"	18"	1"	25"	30"	27"	15"	15"	1 3/8"	36"	46"	1"	.375"	15,800
16"	24 1/2"	13 1/2"	14 3/4"	20"	1 1/8"	25"	32"	28"	16"	15"	1 5/8"	36"	46"	1 1/8"	.375"	18,800
16"	30 1/2"	22"	26"	24"	1 1/4"	25"	38"	34"	20"	15"	1 5/8"	38"	48"	1 3/8"	.375"	13,600

- NOTE:
1. K through S dimensions will be as required.
  2. Pressure rating 275 P.S.I.
  3. Substitute H1 dimension for H dimension when using a mechanical seal.
  4. Discharge heads with 14" or 16" body will have 5/8"-11 tapped holes on the motor B.C.all other heads will have drill through holes on the motor B.C.

**S.A. Armstrong Limited**  
 23 Bertrand Avenue  
 Toronto, Ontario  
 Canada, M1L 2P3  
 Tel: (416) 755-2291  
 Fax: (416) 759-9101

**Armstrong Pumps Limited**  
 Peartree Road, Stanway  
 Colchester, Essex  
 United Kingdom, C03 5JX  
 Tel: 01206-579491  
 Fax: 01206-760532



**Armstrong Pumps Inc.**  
 93 East Avenue  
 Buffalo, New York  
 U.S.A. 14120-6594  
 Tel: (716) 693-8813  
 Fax: (716) 693-8970  
 1-800-FLOW-845

**Armstrong Darling Inc.**  
 2200 Place Transcanadienne  
 Montreal, Quebec  
 Canada, H9P 2X5  
 Tel: (514) 421-2424  
 Fax: (514) 421-2436  
 Printed in Canada