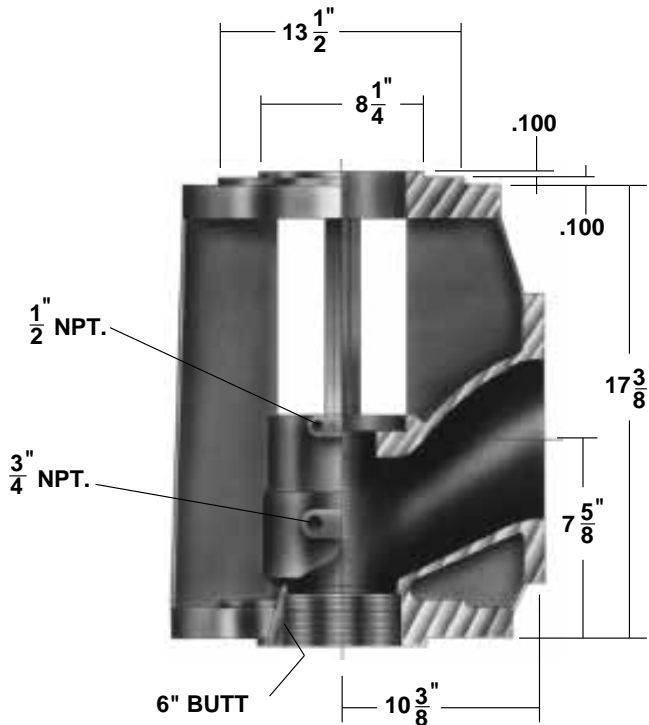
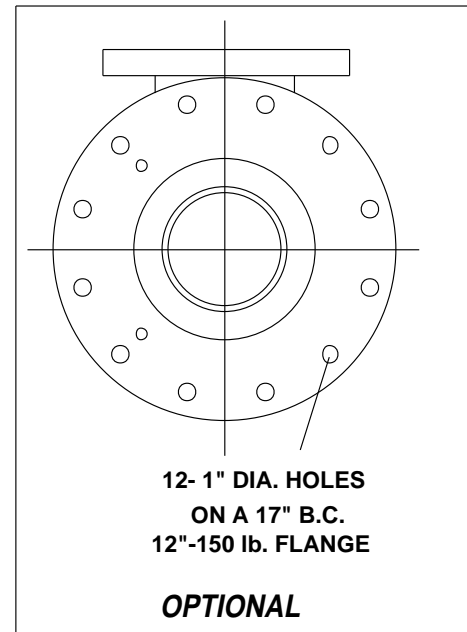
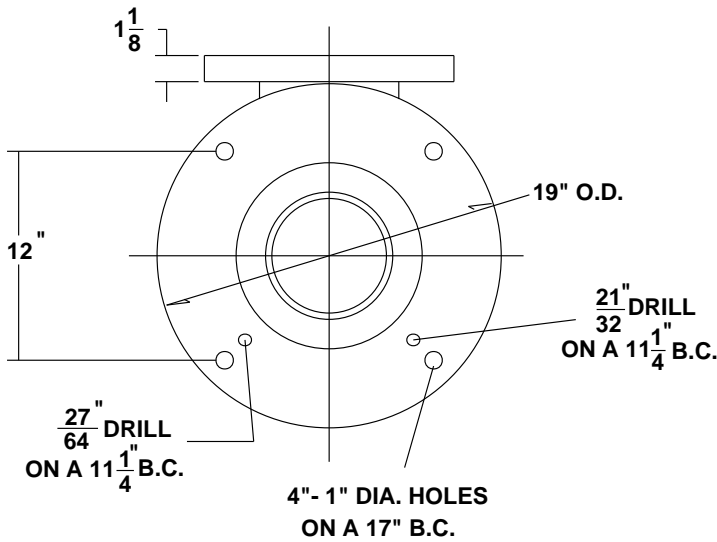
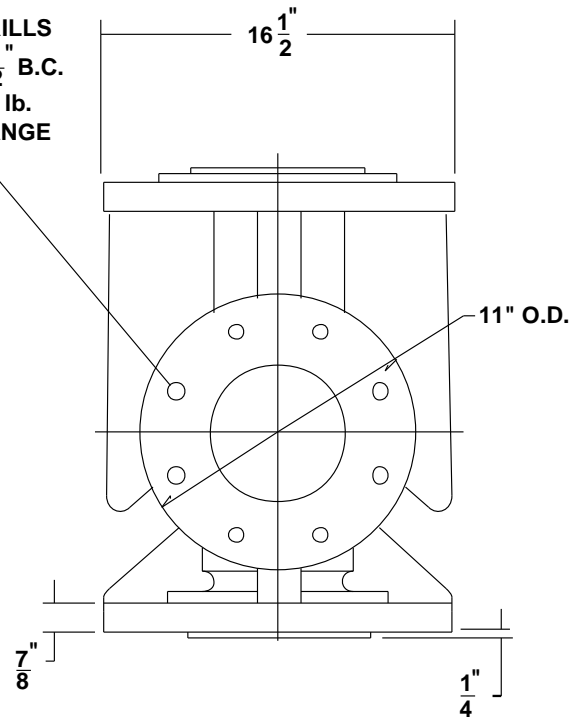


HH25 DISCHARGE HEAD 6" X 6" X 16 1/2"



8- 7/8" DRILLS
 ON A 9 1/2" B.C.
 6"-125 lb.
 F.F. FLANGE



* 250 lb. DISCHARGE FLANGE IS AVAILABLE
 MAINTAINING EXISTING CENTER LINE DIMENSIONS

S.A. Armstrong Limited
 23 Bertrand Avenue
 Toronto, Ontario
 Canada, M1L 2P3
 Tel: (416) 755-2291
 Fax: (416) 759-9101

Armstrong Pumps Limited
 Peartree Road, Stanway
 Colchester, Essex
 United Kingdom, C03 5JX
 Tel: 01206-579491
 Fax: 01206-760532



Armstrong Pumps Inc.
 93 East Avenue
 Buffalo, New York
 U.S.A. 14120-6594
 Tel: (716) 693-8813
 Fax: (716) 693-8970
 1-800-FLOW-845

Armstrong Darling Inc.
 2200 Place Transcanadienne
 Montreal, Quebec
 Canada, H9P 2X5
 Tel: (514) 421-2424
 Fax: (514) 421-2436
 Printed in Canada