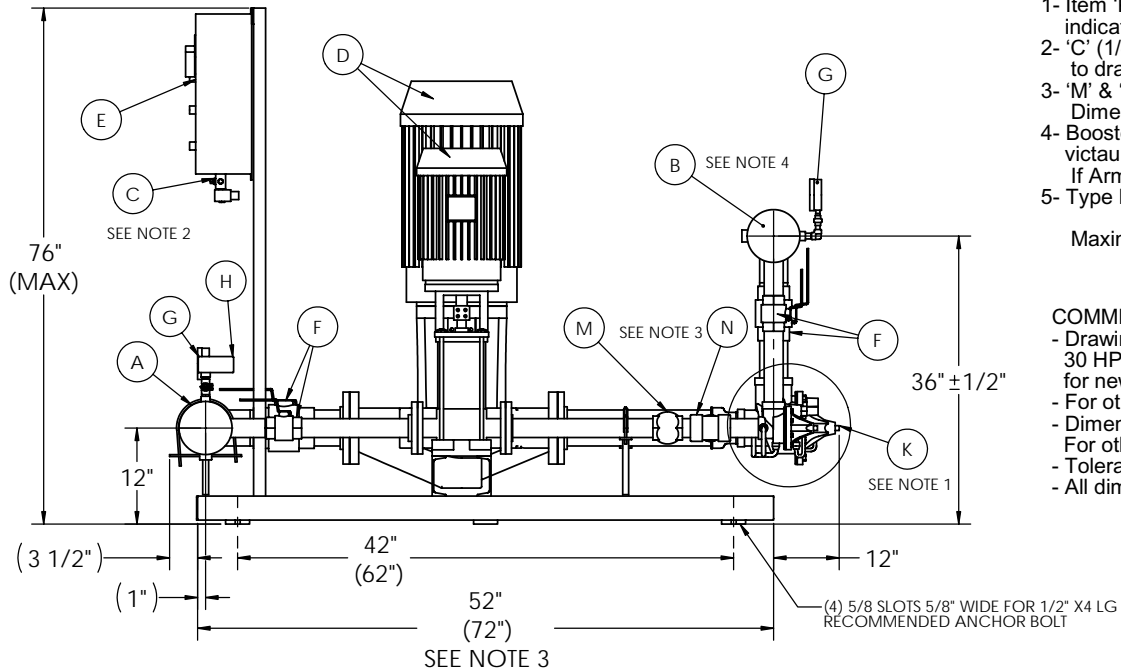


HEADER SIZE	
<input type="checkbox"/>	3" IPS PIPE 304 S.S.
<input type="checkbox"/>	4" IPS PIPE 304 S.S.
<input type="checkbox"/>	6" IPS PIPE 304 S.S.
<input type="checkbox"/>	3" TUBE (COPPER ASTM B-88) TYPE L/K
<input type="checkbox"/>	4" TUBE (COPPER ASTM B-88) TYPE L/K
<input type="checkbox"/>	6" TUBE (COPPER ASTM B-88) TYPE L/K

- NOTES**
- Item 'K' (PRV) is standard. If item 'L' (check valve) is required please indicate selection
  - 'C' (1/4" NPT) Provided on continuous run systems only. To be connected to drain by others.
  - 'M' & 'N' are provided on systems with adjacent mounted drawdown tanks. Dimension ( ) applies when items 'M' & 'N' are used
  - Booster is supplied with standard roll groove for A & B headers suitable for victaulic type or equivalent flanges (supplied by others). If Armstrong is to supply flanges, please indicate flange pressure rating required.
  - Type L copper is only suitable for 175 PSI, Type K copper is suitable for 300 PSI.
- Maximum System Pressure:  175 PSI  300 PSI



- COMMENTS**
- Drawing 2408-201 is applicable for VIL pump sizes smaller than 4x4x10 up to 30 HP@ 3600 RPM and PRV's UP TO 3". For other sizes consult factory for new drawing.
  - For other Inlet/Outlet orientations consult factory for new drawing.
  - Dimensions are based on factory choice standard components. For other than standard consult factory for new drawing.
  - Tolerances are (+/-) 1/4" unless otherwise specified.
  - All dimensions are in inches.

A	SUCTION CONNECTION	H	AQUASTAT (TEMPERATURE PROBE)
B	DISCHARGE CONNECTION	J	RUBBER ISOLATING CUSHION
C	SOLENOID VALVE (1/4" NPT)	K	PRESSURE REDUCING VALVE (PRV)
D	PUMP & MOTOR	L	CHECK VALVE ONLY (OPTIONAL)
E	CONTROL PANEL	M	CHECK VALVE (SEE NOTE 3)
F	BRONZE BALL VALVE	N	TEE (SEE NOTE 3)
G	PRESSURE GAUGE		

DO NOT SCALE

DRAWN BY	SP	DATE	11/29/03	ARMSTRONG PUMPS INC. NORTH TONAWANDA, NY 14120  DRAWING TITLE 6720 - DUPLEX DOMESTIC WATER BOOSTER
CHECK	GB	DATE	06/07/04	
ENGINEERING				
QUALITY ASSURANCE				
MANUFACTURING				SIZE: C DRAWING NUMBER: 2408-201 REV: A
SCALE: NTS		WEIGHT:		SHEET: 1 OF 1