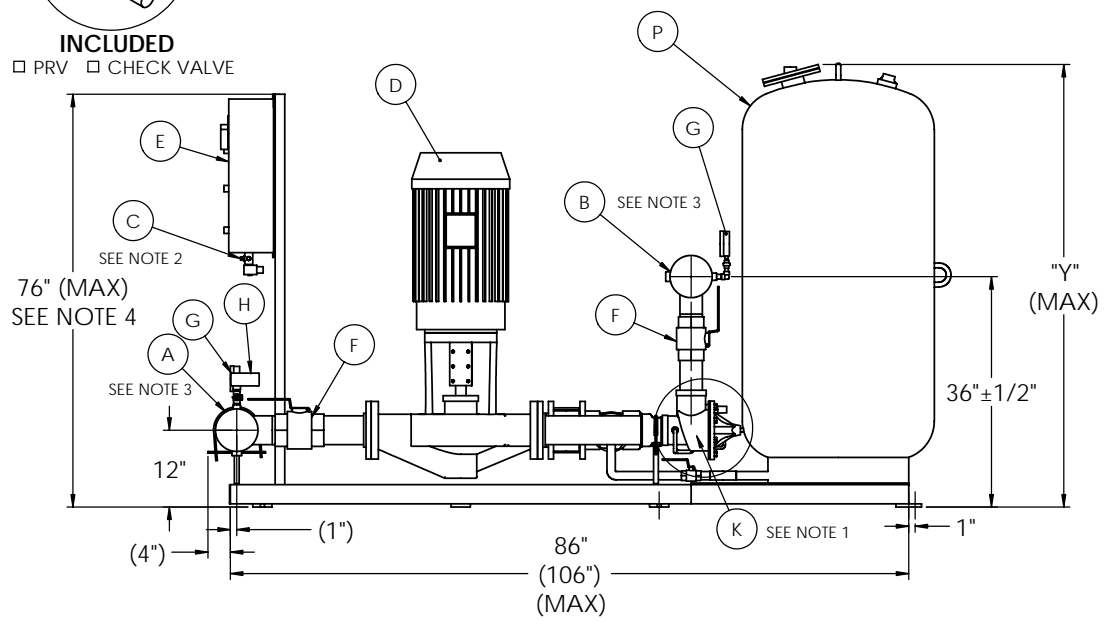


INCLUDED

- PRV
- CHECK VALVE



- NOTES**
- Item 'K' (PRV) is standard. If item 'L' (check valve) is required please indicate selection
 - 'C' (1/4" NPT) Provided on continuous run systems only. To be connected to drain by others.
 - Booster is supplied with standard roll groove for A & B headers suitable for victaulic type or equivalent flanges (supplied by others). If Armstrong is to supply flanges, please indicate flange pressure rating required.
 - Consult drawing 2400-000 for variable Speed Drive (VFD) controller dimensions.
 - Type L copper is suitable for 175 PSI, Type K copper is suitable for 300 PSI.

Maximum System Pressure: 175 PSI 300 PSI

HEADER SIZE	
<input type="checkbox"/>	3" IPS PIPE 304 S.S.
<input type="checkbox"/>	4" IPS PIPE 304 S.S.
<input type="checkbox"/>	6" IPS PIPE 304 S.S.
<input type="checkbox"/>	3" TUBE (COPPER ASTM B-88) TYPE L/K
<input type="checkbox"/>	4" TUBE (COPPER ASTM B-88) TYPE L/K
<input type="checkbox"/>	6" TUBE (COPPER ASTM B-88) TYPE L/K

- COMMENTS**
- Drawing 2408-100 is applicable for VIL pumps with suction size up to 4", 30 HP @ 3600 RPM, and nominal impeller diameters up to 10".
 - For other sizes consult factory for new drawing.
 - For other Inlet/Outlet orientations consult factory for new drawing.
 - Dimensions are based on factory choice standard components.
 - For other than standard consult factory for new drawing.
 - Tolerances are (+/-) 1/4" unless otherwise specified.
 - All dimensions are in inches.

TANK OPTIONS			
BLADDER TANK	RATING (PSI)	CAPACITY USG	DIMENSION "Y"
FX 200V	150	52	49
FX 300V		80	55
FX 500V		132	61
FX 750V	(NON-ASME)	198	79
400L		106	60
500L	125	132	64
600L	(ASME)	158	58
800L		211	66
700L	200	185	86
	(ASME)		

A	SUCTION CONNECTION	H	AQUASTAT (TEMPERATURE PROBE)
B	DISCHARGE CONNECTION	J	RUBBER ISOLATING CUSHION
C	SOLENOID VALVE (1/4" NPT)	K	PRESSURE REDUCING VALVE (PRV)
D	PUMP & MOTOR	L	CHECK VALVE ONLY
E	CONTROL PANEL	M	CHECK VALVE
F	BRONZE BALL VALVE	N	TEE
G	PRESSURE GAUGE	P	DRAWDOWN TANK

DO NOT SCALE

DRAWN BY	SP	DATE	11/29/03	ARMSTRONG PUMPS INC. NORTH TONAWANDA, NY 14120 DRAWING TITLE 6721/2/3 - DUPLEX DOMESTIC WATER BOOSTER
CHECK	GB	DATE	06/07/04	
ENGINEERING				
QUALITY ASSURANCE				
MANUFACTURING				SIZE: C DRAWING NUMBER: 2408-100 REV: A
SCALE: NTS		WEIGHT:	SHEET: 1 OF 1	