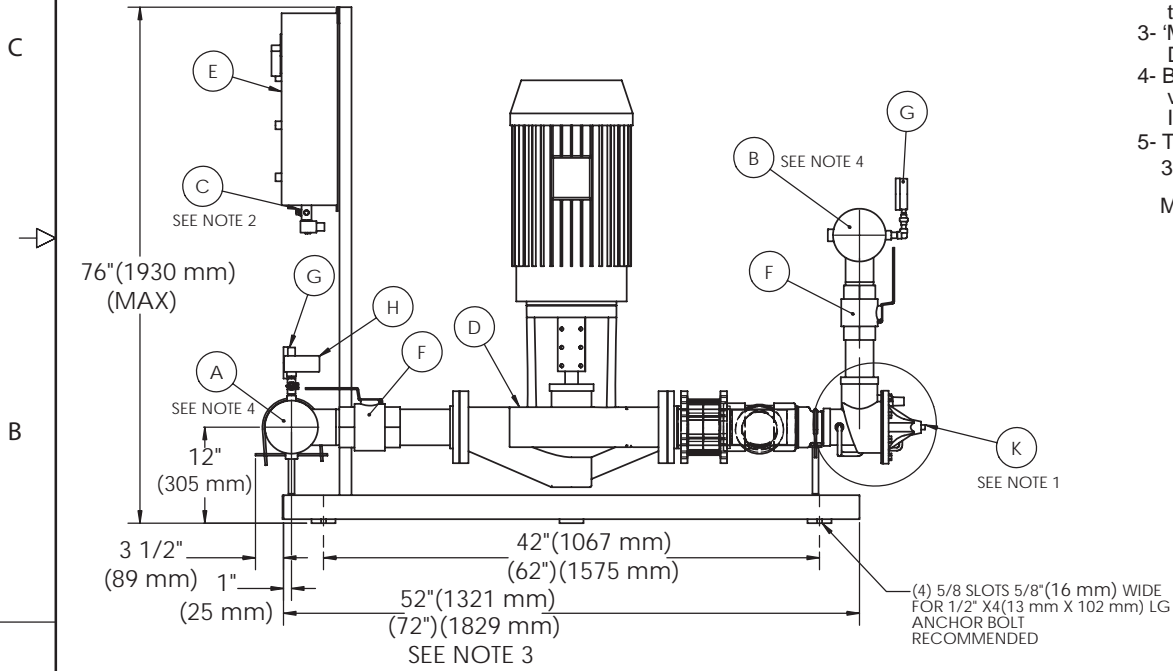


INCLUDED
 PRV CHECK VALVE

- NOTES**
- Item 'K' (PRV) is standard. If item 'L' (check valve) is required please indicate selection
 - 'C' (1/4" NPT) Provided on continuous run systems only. To be connected to drain by others.
 - 'M' & 'N' are provided on systems with adjacent mounted drawdown tanks. Dimension () applies when items 'M' & 'N' are used
 - Booster is supplied with standard roll groove for A & B headers suitable for victaulic type or equivalent flanges (supplied by others). If Armstrong is to supply flanges, please indicate flange pressure rating required.
 - Type L copper is suitable for 175 PSI(1207 kPa), Type K copper is suitable for 300 PSI(2068 kPa).

Maximum System Pressure: 175 PSI(1207 kPa) 300 PSI(2068 kPa)

HEADER SIZE	
<input type="checkbox"/>	3"(76 mm) IPS PIPE 304 S.S.
<input type="checkbox"/>	4"(102 mm) IPS PIPE 304 S.S.
<input type="checkbox"/>	6"(152 mm) IPS PIPE 304 S.S.
<input type="checkbox"/>	3"(76 mm) TUBE (COPPER ASTM B-88) TYPE L/K
<input type="checkbox"/>	4"(102 mm) TUBE (COPPER ASTM B-88) TYPE L/K
<input type="checkbox"/>	6"(152 mm) TUBE (COPPER ASTM B-88) TYPE L/K



- COMMENTS**
- Drawing 2408-000 is applicable for VIL pumps with suction size up to 4"(102 mm), 30 HP @ 3600 RPM, and nominal impeller diameters up to 10"(254 mm).
 - For other sizes consult factory for new drawing.
 - For other Inlet/Outlet orientations consult factory for new drawing.
 - Dimensions are based on factory choice standard components.
 - For other than standard consult factory for new drawing.
 - Tolerances are (+/-) 1/4"(6.35 mm) unless otherwise specified.
 - All dimensions are in inches.

A	SUCTION CONNECTION	H	AQUASTAT (TEMPERATURE PROBE)
B	DISCHARGE CONNECTION	J	RUBBER ISOLATING CUSHION
C	SOLENOID VALVE (1/4" NPT)	K	PRESSURE REDUCING VALVE (PRV)
D	PUMP & MOTOR	L	CHECK VALVE ONLY (OPTIONAL)
E	CONTROL PANEL	M	CHECK VALVE (SEE NOTE 3)
F	BRONZE BALL VALVE	N	TEE (SEE NOTE 3)
G	PRESSURE GAUGE		

DRAWN BY SP	DATE 11/29/03	 ARMSTRONG PUMPS INC. NORTH TONAWANDA, NY 14120
CHECK GB	DATE 06/07/04	
ENGINEERING		
QUALITY ASSURANCE		
DRAWING TITLE 6721/2/3 - DUPLEX DOMESTIC WATER BOOSTER		
SIZE C	DRAWING NUMBER 2408-000	REV. A
SCALE: NTS	WEIGHT:	SHEET: 1 OF 1

DO NOT SCALE