

HEADER SIZE		"X"
<input type="checkbox"/>	3" IPS PIPE 304 S.S.	67 7/8"
<input type="checkbox"/>	4" IPS PIPE 304 S.S.	67 3/8"
<input type="checkbox"/>	6" IPS PIPE 304 S.S.	66 3/8"
<input type="checkbox"/>	3" TUBE (COPPER ASTM B-88) TYPE L/K	67 3/4"
<input type="checkbox"/>	4" TUBE (COPPER ASTM B-88) TYPE L/K	67 1/4"
<input type="checkbox"/>	6" TUBE (COPPER ASTM B-88) TYPE L/K	66 1/8"

**INCLUDED**  
 PRV    CHECK VALVE

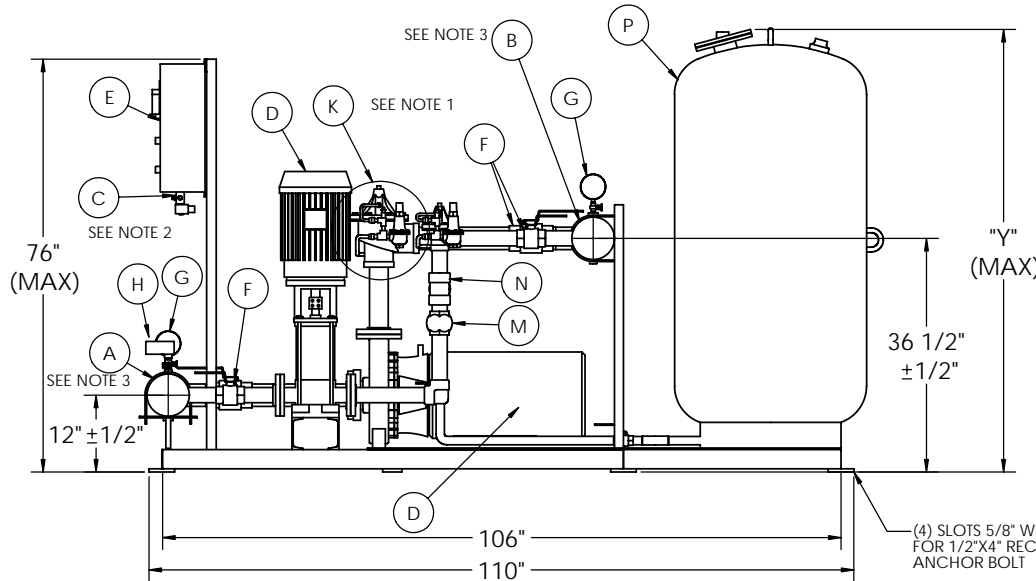
**NOTES**

- Item 'K' (PRV) is standard. If item 'L' (check valve) is required please indicate selection
- 'C' (1/4" NPT) Provided on continuous run systems only. To be connected to drain by others.
- Booster is supplied with standard roll groove for A & B headers suitable for victaulic type or equivalent flanges (supplied by others). If Armstrong is to supply flanges, please indicate flange pressure rating required.
- Consult drawing 2400-000 for Variable Speed Drive (VFD) controller dimensions
- Type L copper is suitable for 175 PSI, Type K copper is suitable for 300 PSI.

Maximum System Pressure:    175 PSI    300 PSI

**COMMENTS**

- Drawing 2407-200 is applicable for pumps with suction size up to 4", 30 HP @ 3600 RPM, and nominal impeller diameters up to 10". For other sizes consult factory for new drawing.
- For other Inlet/Outlet orientations consult factory for new drawing.
- Dimensions are based on factory choice standard components. For other than standard consult factory for new drawing.
- Tolerances are (+/-) 1/2" unless otherwise specified.
- All dimensions are in inches.



TANK OPTIONS			
BLADDER TANK	RATING (PSI)	CAPACITY USG	DIMENSION "Y"
AFV-200	150	53	44
AFV-300		80	52
AFV-450	(NON-ASME)	119	56
400L		106	60
500L	125	132	64
600L	(ASME)	158	58
800L		211	66
700L	200	185	86
	(ASME)		

<b>A</b>	SUCTION CONNECTION	<b>H</b>	AQUASTAT (TEMPERATURE PROBE)
<b>B</b>	DISCHARGE CONNECTION	<b>J</b>	RUBBER ISOLATING CUSHION
<b>C</b>	SOLENOID VALVE (1/4" NPT)	<b>K</b>	PRESSURE REDUCING VALVE (PRV)
<b>D</b>	PUMP & MOTOR	<b>L</b>	CHECK VALVE ONLY
<b>E</b>	CONTROL PANEL	<b>M</b>	CHECK VALVE
<b>F</b>	BRONZE BALL VALVE	<b>N</b>	TEE
<b>G</b>	PRESSURE GAUGE	<b>P</b>	DRAWDOWN TANK

DRAWN BY	SP	DATE	07/12/03	ARMSTRONG PUMPS INC. NORTH TONAWANDA, NY 14120  DRAWING TITLE 6720 - DUPLEX DOMESTIC WATER BOOSTER
CHECK	GB	DATE	06/11/04	
ENGINEERING				
QUALITY ASSURANCE				
MANUFACTURING				SIZE C
SCALE: NTS		WEIGHT:		DRAWING NUMBER 2407-300
		SHEET: 1 OF 1		REV. A

DO NOT SCALE